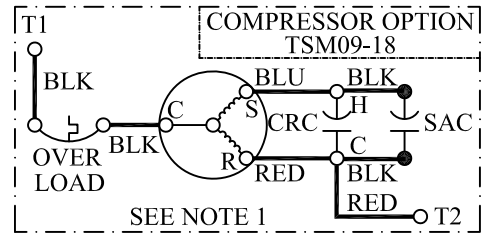
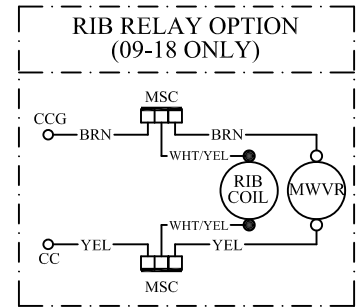
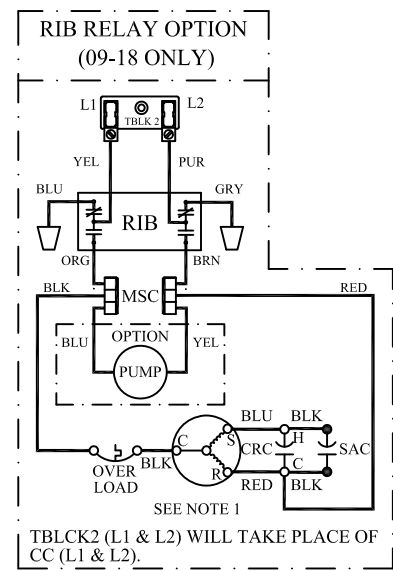
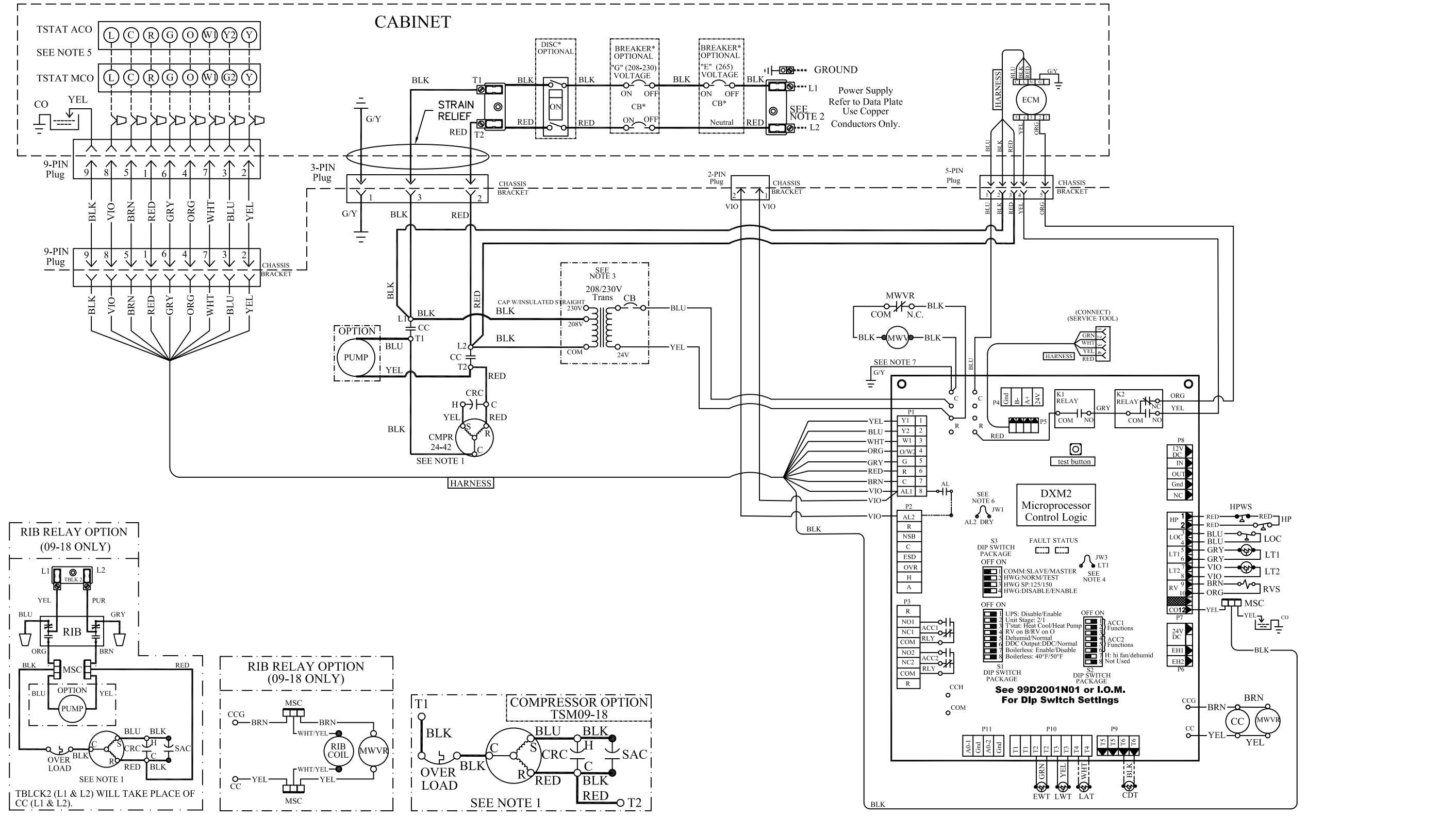


- Legend**
- Factory Low voltage Wiring
 - Factory Line Voltage Wiring
 - Field Low voltage Wiring
 - Field Line voltage Wiring
 - Printed Circuit Trace
 - Optional Wiring
 - Optional Block
 - Capacitor
 - Circuit Breaker
 - Condensate Pan
 - Ground
 - High Pressure Switch
 - LED
 - Low Pressure Switch
 - Mate-N-Lock
 - Multi Splice Connector
 - * Optional
 - Overload
 - Relay contacts - N.C.
 - Relay contacts - N.O.
 - Relay / Contactor Coil
 - Solenoid Coil
 - Splice Cap
 - Temperature Switch
 - Thermistor
 - Wire Nut

- NOTES:**
1. Compressor and Blower Motor thermally protected internally.
 2. All wiring to the unit must comply with NEC and local codes low voltage wiring shall be Class 2 or equivalent.
 3. Transformer wiring is voltage sensitive. Use layout corresponding to the unit voltage. For 208/230V Transformer will be connected for 208V operation. For 230V operation, disconnect BLK lead at Transf (208V) and attach Transf (230V). For 265/277V operation, Transformer will be connected to 265/277V.
 4. FP1 provides low temperature protection for WATER. When using ANTI-FREEZE solutions, cut JW3 jumper.
 5. Typical heat pump thermostat wiring shown. Refer to thermostat IOM for wiring to the unit. T-Stat wiring must be "Class 1" and voltage rating equal to or greater than unit supply voltage.

6. 24V Alarm signal shown. For Dry Alarm contact between AL1 & AL2, cut JW1 for CXM/DXM Gen2 or JW4 DXM.
7. Transformer Secondary Ground via CXM/DXM board standoffs and screws to Control Box.

- AL Alarm Relay Contacts
- BM Blower Motor
- BMC Blower Motor Capacitor
- BR Blower Relay
- CAP Capacitor
- CB Circuit Breaker
- CC Compressor Contactor
- CO Condensate Overflow Sensor
- CR Compressor Relay
- CTB Common Terminal Block
- CS Current Sensor
- DHW Domestic Hot Water
- DM Damper Motor
- DTS Discharge Temperature Switch
- ES End Switch
- EWTS Entering Water Temp Sensor
- FP1 Sensor, low temp protection, water coil
- FP2 Sensor, low temp protection, air coil
- FSS Fan Speed Switch
- HP High Pressure Switch
- HPWS High Pressure Water Switch
- HR Heating Relay
- JW Jumper Wire
- LAT Leaving Air Temperature
- LOC Loss of Charge Pressure Switch
- LOR Lock Out Relay
- LWTS Leaving Water Temp Sensor
- MOD Modulating Water Valve
- MS Manual Starter
- MSC Multi Splice Connector
- MWV Motorized Water Valve
- MWVR Motorized Water Valve Relay
- PB Power Terminal Block
- PDB Power Distribution Block
- POT Potentiometer
- P1 Field Wiring Terminal Block
- RAS Return Air Sensor
- RVS Reversing Valve Solenoid
- SAC Start Assist Capacitor
- TB Terminal Block
- TRANS Transformer
- TS Terminal Strip
- UMT Unit Mounted Thermostat



TBLK2 (L1 & L2) WILL TAKE PLACE OF CC (L1 & L2). SEE NOTE 1

SEE NOTE 1