

LEGEND

- Factory Low voltage Wiring
- Factory Line Voltage Wiring
- - - Field Low voltage Wiring
- - - Field Line voltage Wiring
- - - Printed Circuit Trace
- - - Optional Wiring
- Optional Block Capacitor
- Circuit Breaker
- Condensate Pan
- ⊥ Ground
- ⊥ High Pressure Switch
- LED
- ⊥ Low Pressure Switch
- ⊥ Mate-N-Lock
- Multi Splice Connector
- * Optional
- Relay contacts - N.C.
- Relay contacts - N.O.
- Relay / Contactor Coil
- ⊥ Solenoid Coil
- ⊥ Splice Cap
- ⊥ Temperature Switch
- ⊥ Thermistor
- ⊥ Wire Nut

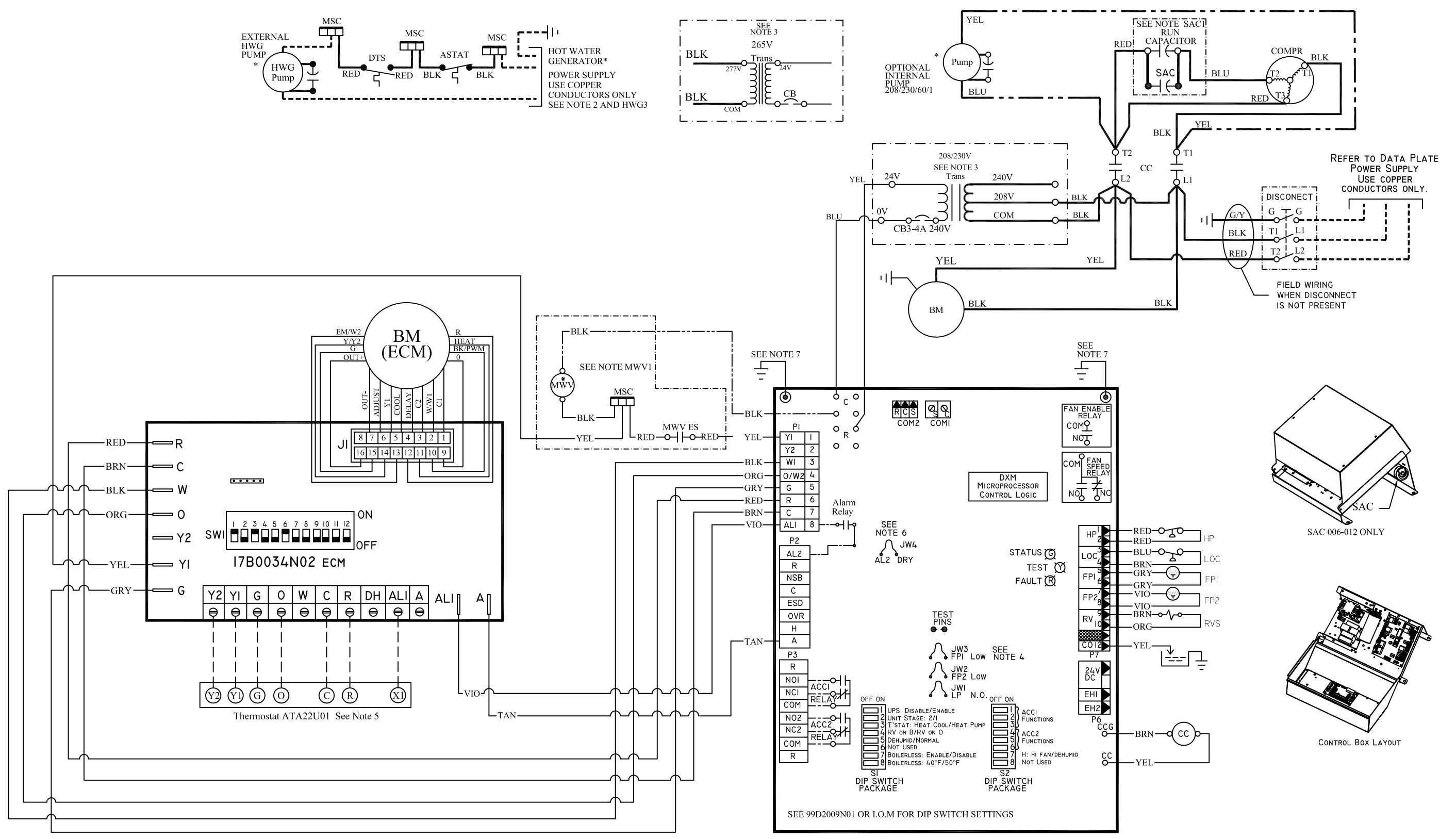
- NOTES:**
1. Compressor and Blower Motor thermally protected internally.
 2. All wiring to the unit must comply with NEC and local codes low voltage wiring shall be Class 2 or equivalent.
 3. Transformer wiring is voltage sensitive. Use the layout corresponding to the unit voltage. For 208/230 volt units, the factory default is 208V. For 308/420V operation the factory default is 380V.
 4. FP1 provides low temperature protection for WATER. When using ANTI-FREEZE solutions, cut JW3 jumper.
 5. Typical heat pump thermostat wiring shown. Refer to thermostat IOM for wiring to the unit. T-Stat wiring must be "Class 1" and voltage rating equal to or greater than unit supply voltage.

6. 24V Alarm signal shown. For Dry Alarm contact between AL1 & AL2, cut JW1 for CXM/DXM Gen2 or JW4 DXM.
 7. Transformer Secondary Ground via CXM/DXM board standoffs and screws to Control Box.
- MWV1. Wire from "Y1" on TSTAT/MPC/LON to "Y" on control board when MWV is not used.
- HWG3. AQUA STAT is supplied with unit and must be wired in series with the hot leg to the pump. Aqua stat is rated for voltage up to 277V.
- SAC1. Use start assist capacitor only on unit size 006-012.

ECM BOARD DIP SWITCH SETTINGS

COOL CFM			CFM HEAT			EH CFM			ADJ CFM		
SPD	SW1	SW2	SPD	SW3	SW4	SPD	SW5	SW6	SPD	SW7	SW8
1	ON	ON	1	ON	ON	1	ON	ON	TEST	ON	ON
2	ON	OFF	2	ON	OFF	2	ON	OFF	-	ON	OFF
3	OFF	ON	3	OFF	ON	3	OFF	ON	+	OFF	ON
4	OFF	OFF	4	OFF	OFF	4	OFF	OFF	NORM	OFF	OFF

DEHUM		UNUSED		UNUSED		UNUSED	
SW9	SW10	SW11	SW12	SW13	SW14	SW15	SW16
ON	NORM	ON	ON	ON	ON	ON	ON
OFF	DH	OFF	OFF	OFF	OFF	OFF	OFF



AL Alarm Relay Contacts

BM Blower Motor

BMC Blower Motor Capacitor

BR Blower Relay

CAP Capacitor

CB Circuit Breaker

CC Compressor Contractor

CO Condensate Overflow Sensor

CR Compressor Relay

CTB Common Terminal Block

CS Current Sensor

DHW Domestic Hot Water

DM Damper Motor

DTS Discharge Temperature Switch

ES End Switch

EWTS Entering Water Temp Sensor

FP1 Sensor, low temp protection, water coil

FP2 Sensor, low temp protection, air coil

FSS Fan Speed Switch

HP High Pressure Switch

HPWS High Pressure Water Switch

HR Heating Relay

JW Jumper Wire

LAT Leaving Air Temperature

LOC Loss of Charge Pressure Switch

LOR Lock Out Relay

LWTS Leaving Water Temp Sensor

MOD Modulating Water Valve

MS Manual Starter

MSC Multi Splice Connector

MWV Motorized Water Valve

PB Power Terminal Block

PDB Power Distribution Block

POT Potentiometer

P1 Field Wiring Terminal Block

RAS Return Air Sensor

RVS Reversing Valve Solenoid

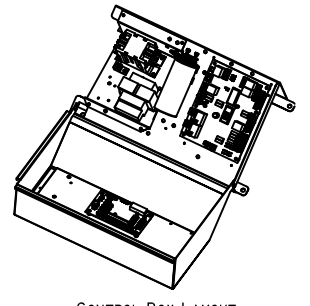
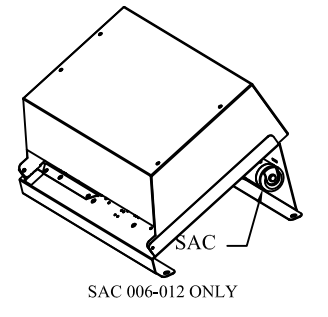
SAC Start Assist Capacitor

TB Terminal Block

TRANS Transformer

TS Terminal Strip

UMT Unit Mounted Thermostat



SEE 99D2009N01 OR I.O.M FOR DIP SWITCH SETTINGS