



decentralized air conditioning systems

Installation Instructions Outdoor Louvers COMMON

700 SERIES — MODELS 7 THRU 17 OUTDOOR LOUVER INSTALLATION

Install outdoor louver only when ready to install cooling chassis in wall box. Until then, leave weather panel and temporary supports in place in wall box.

NOTE: For extra depth wall boxes a splitter must be installed. Attach stripping to splitter and secure to center post of louver before installing louver.

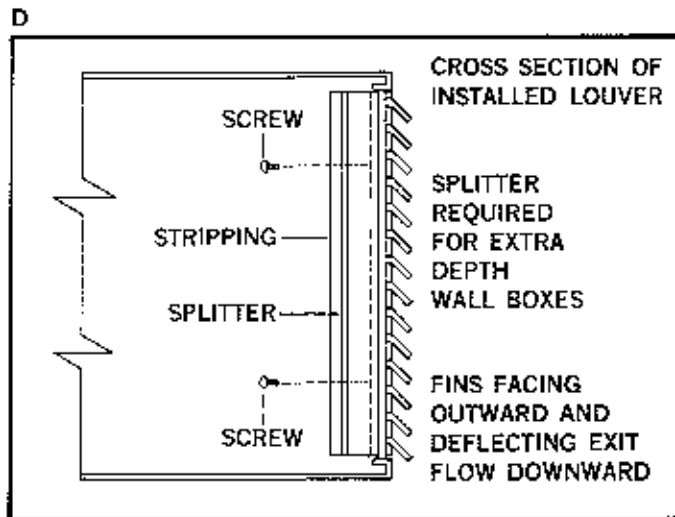
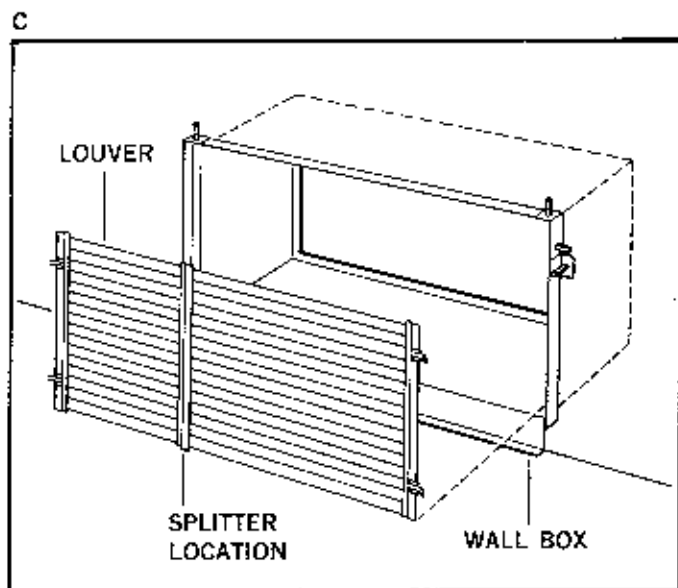
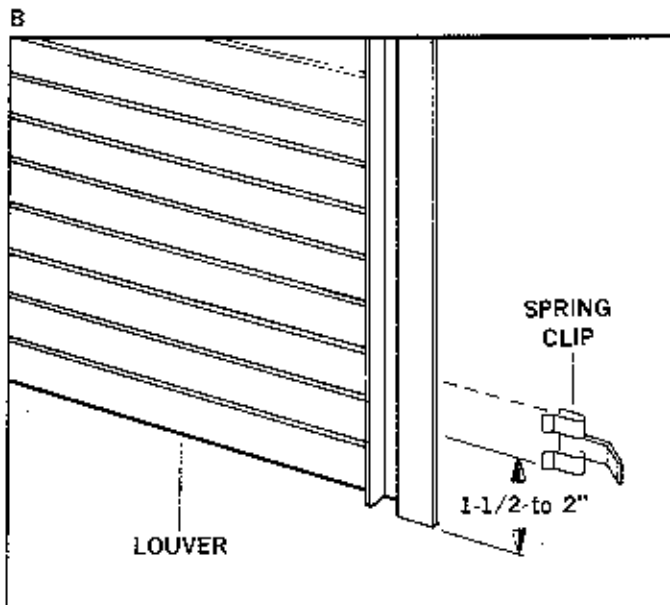
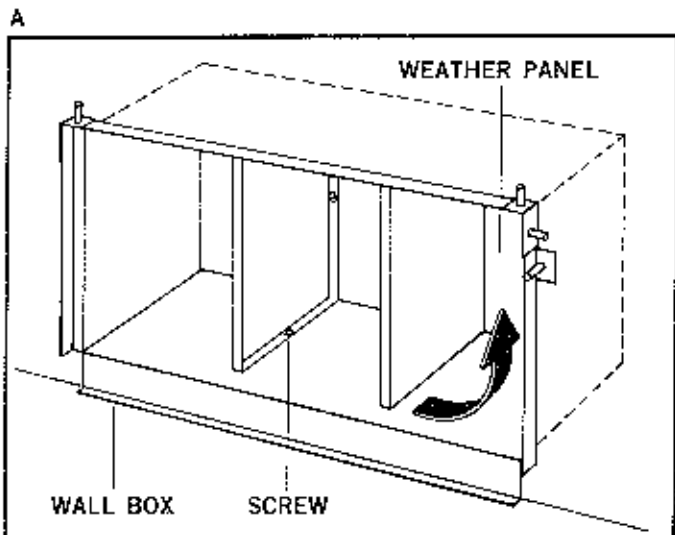
Step 1. Remove sheet metal screws from the top and bottom of each temporary construction support.

Step 2. Swivel both supports to a horizontal position as shown by the arrow in sketch A below and pull temporary construction support into room.

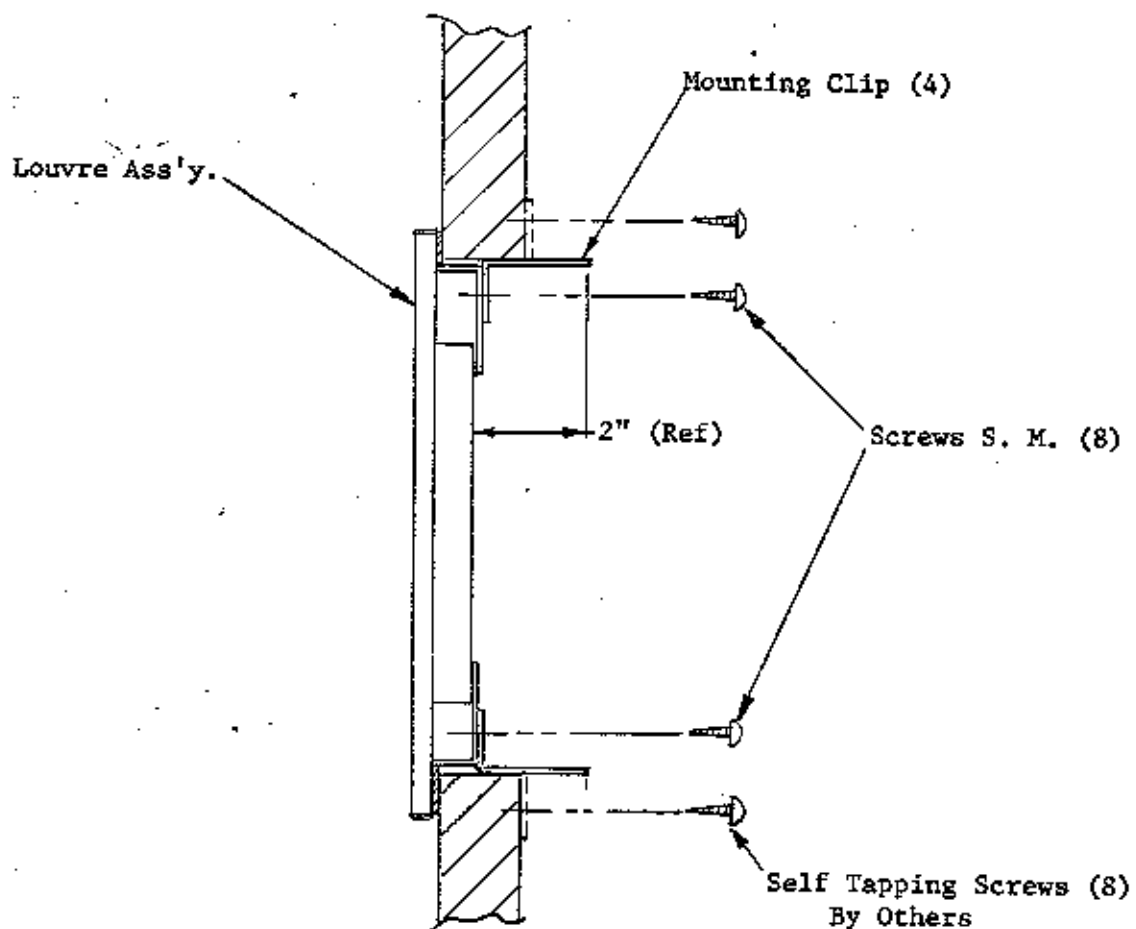
Step 3. Position louver spring clips on the louver end supports as shown in sketch B. (Spring clips are shipped in hardware bag in louver carton.) Clips should be from 1-1/2 to 2 inches from the top and bottom of the louver.

Step 4. Place louver (fins facing outdoors and blades downward) in opening of wall box. Press inward firmly until louver is squarely seated against outer lip of wall box and clips have snapped into place at end of wall box.

Step 5. When louver is correctly installed it is centered in wall box opening with fins facing outward and deflecting exit air flow downward (see sketch D).



Installation Instructions for Louvre Ass'y.



List of Mat'l

- (1) Louvre Ass'y.
- (8) Screws S.M. #10 x 3/8
- (4) Mounting Clips

To Install Louvre Ass'y: Attach mounting clips (4) provided to Louvre Ass'y using (8) screws provided. The 2" flange of clip to be extended. Position Louvre Ass'y in wall opening (Louvre flanges facing downward). The mounting clips will extend beyond the wall. Bend extended portion of clip (up or down) and secure to wall using (8) self tapping screws (by others).