



## Climate Master

decentralized  
air conditioning systems

## Installation instructions for heating modules

Three different types of heating module are available: (1) electric heat, (2) hot water heat, and (3) steam heat. All three modules are installed on the wall box mounting flange in exactly the same way; only wiring and piping arrangements differ.

**Step 1.** Position holes in heating module brackets over vertical studs on wall box mounting flange. Lower heating module onto studs while swinging module downward and inward until the slots in its side brackets engage the studs at the outer ends of the wall box mounting flange.

**Step 2.** Tighten wing nuts on side studs only. Top studs also hold room cabinet; nuts are tightened on these studs during installation of cabinet. Two wing nuts are packed in hardware bag in heating module carton.

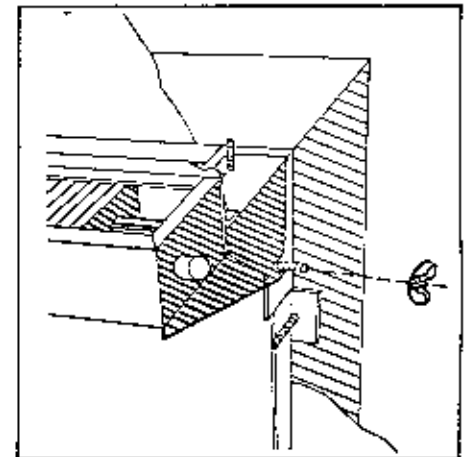
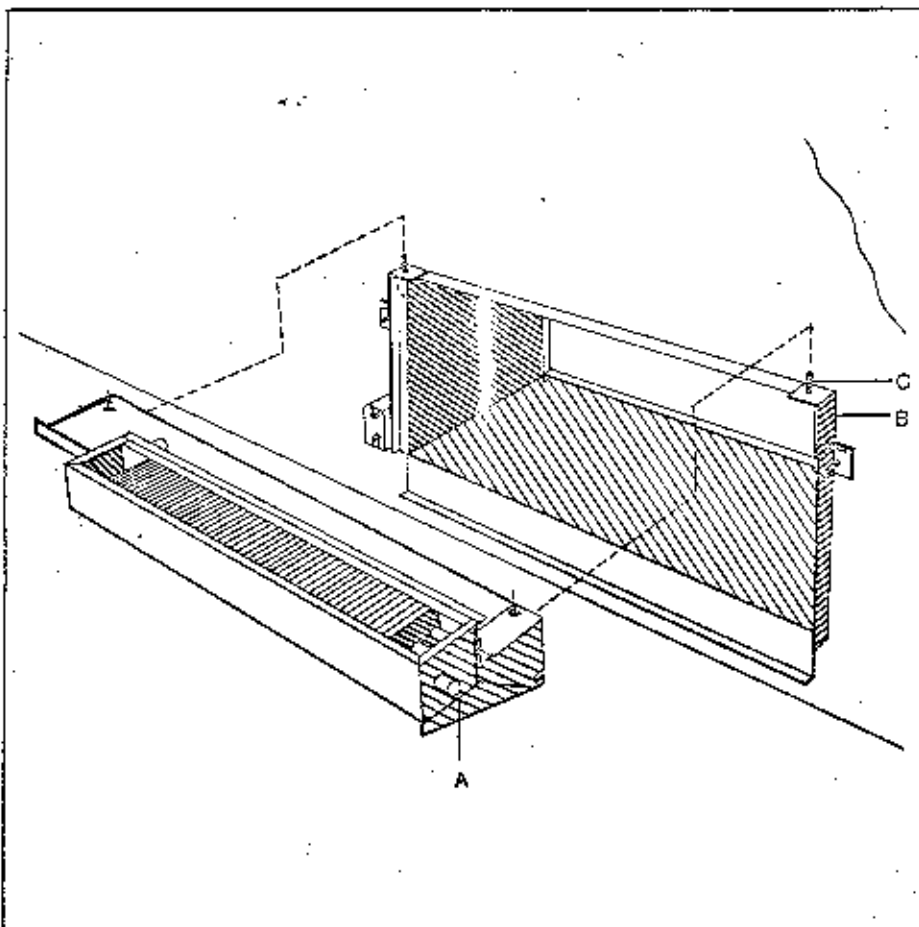
**Step 3.** If hot water or steam heat is used, connect heating module to piping in accordance with plans and specifications. Motorized valves are supplied with all Climate Master hydronic heating modules unless otherwise specified. The valve is packed in the heating module carton.

(1) On hot water heating systems install a shut-off valve upstream from the motorized valve on the inlet and an air vent and balancing cock on the outlet.

(2) On steam systems install a radiator trap in the outlet line. Other connections are the same as for hot water systems.

(3) All piping systems should be properly flushed before connection to the heating modules and should be purged after connection and filling.

Climate Master Division  
International Heating  
and Air Conditioning Corp.  
2007 Beechgrove Place,  
Utica, New York 13501



Installation of heating module on mounting flange      Heating module bracket detail

A. Heating module  
B. Mounting flange  
C. Studs

Copyright ©, 1970  
Climate Master Division  
International Heating  
and Air Conditioning Corp.

Printed in U.S.A. All rights reserved.

Climate Master is a registered trade mark.

60-A-00052-1

## INSTALLATION AND OPERATING INSTRUCTIONS FOR SELF CONTAINED MASTER CONTROL

### CONTROL INSTALLATION

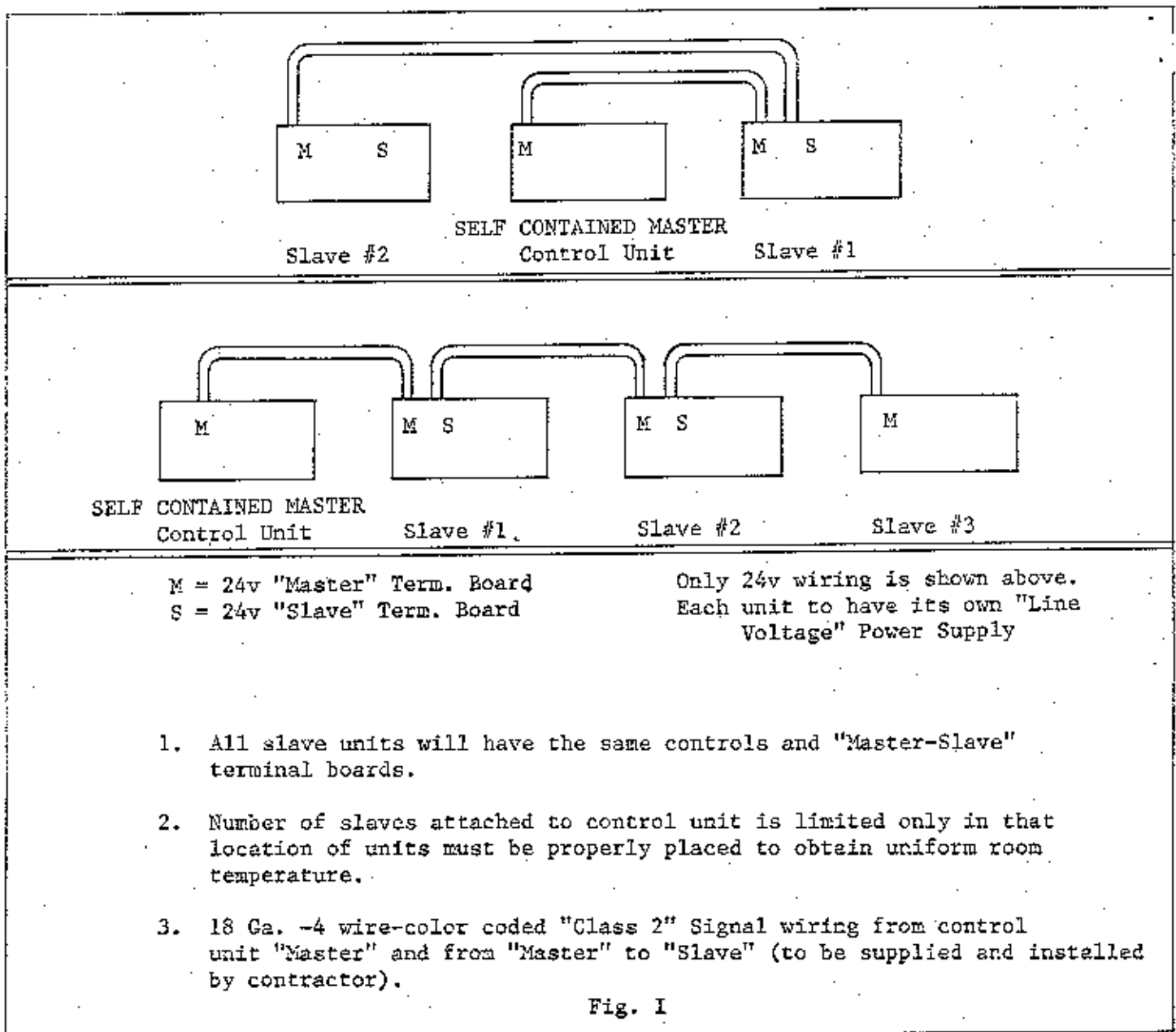
- Step 1. Remove and save two (2) mounting screws from top front of control module.
- Step 2. Complete 24v wiring for control of slave units. 24v terminal board is located on the back of the control module. (See Fig. I).
- Step 3. Fit aluminum switch plate over push buttons and thermostat shaft. Press thermostat knob onto thermostat shaft.
- Step 4. Hook slot at the top rear of control module over the support angle in the room cabinet. Swing module upward and forward until mounting holes in module align with mounting slots in the front flange of room cabinet. (See Fig. II).
- Step 5. Re-install two (2) mounting screws and tighten securely. (See Fig. II).
- Step 6. Plug heat section cord and cool chassis cord into the control. The heat section cord and cool chassis cord are labeled to match their receptacles at the control.
- Step 7. Open blower compartment cover on cooling chassis by loosening two (2) sheet metal screws. Unwind thermostat capillary tube and stretch it through slot at upper left corner of blower

compartment. CAUTION: Be careful not to kink or break capillary tube while unwinding it.

Insert bulb and clip at left hand blower inlet. Tip of bulb must be higher than its junction with the capillary tube.

Thermostat bulb must not come in contact with the blower wheel or motor shaft. (See Fig. III).

Close blower compartment cover and tighten two (2) sheet metal screws.



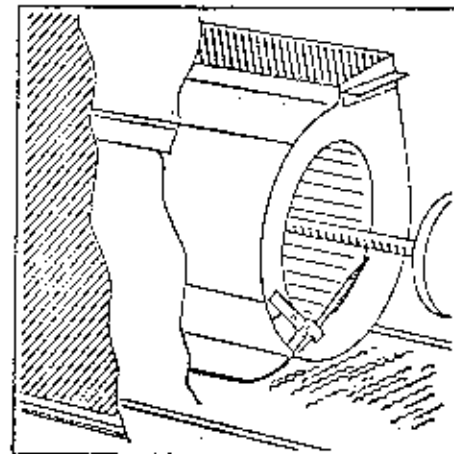
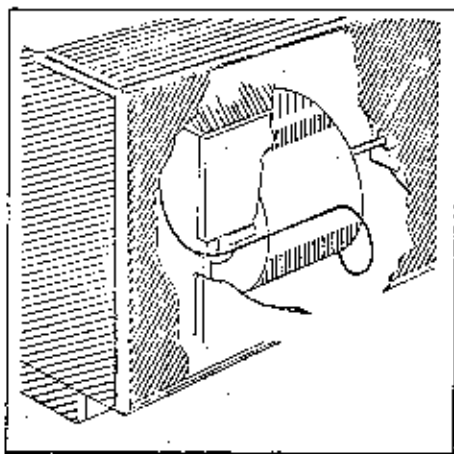
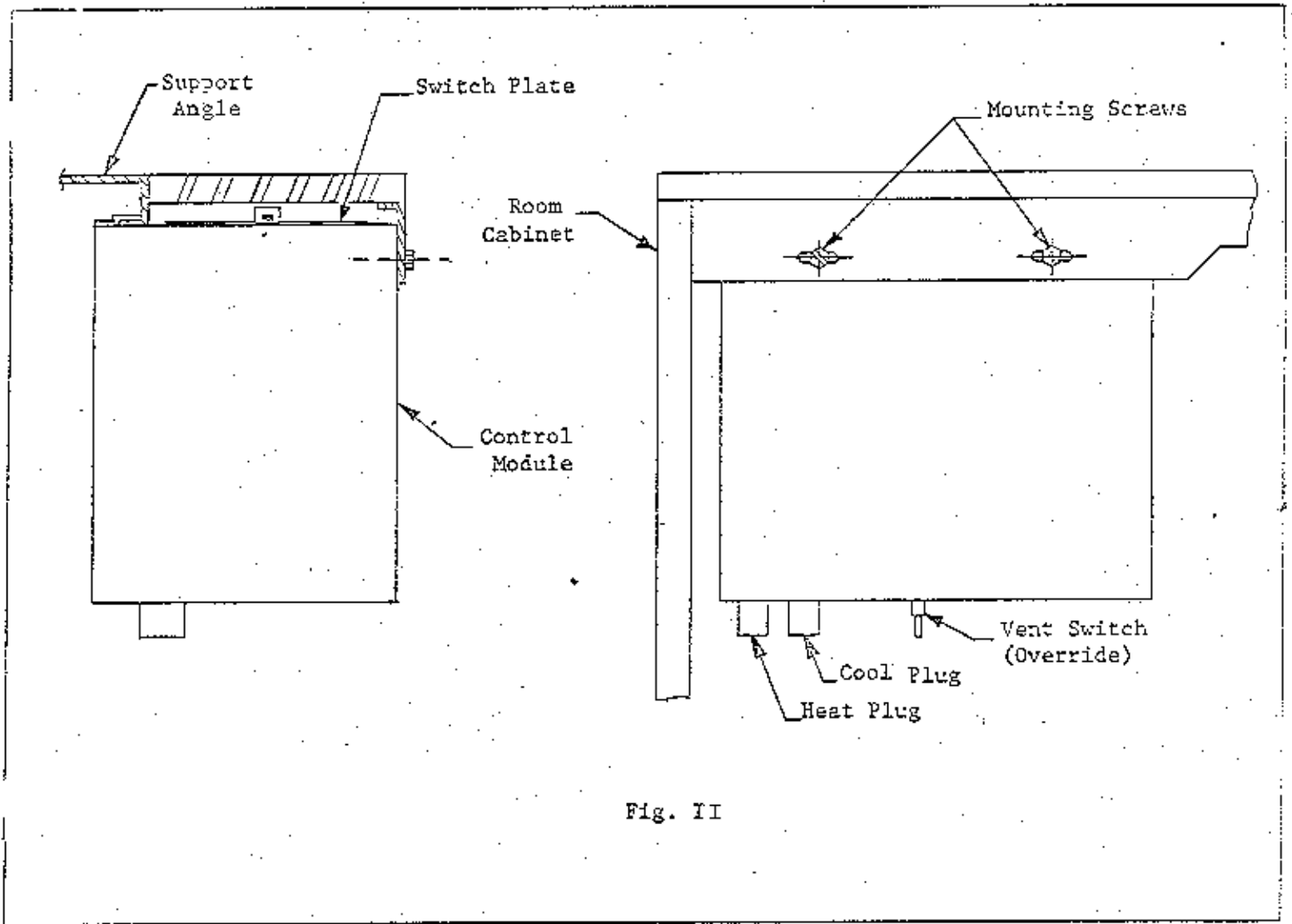


FIG. III

## CONTROL OPERATION

Correct voltage and current must be supplied to each unit in accordance with the nameplate ratings. All electrical leads must be connected to the control module in the correct manner and the disconnect switch must be closed. CAUTION: Before turning on main power, make certain that all control module OFF buttons are down.

1. This control is provided with a 3-button switch that provides for OFF, HEAT and COOL. Each function operates as follows:

- A. With OFF button down, set thermostat knob fully clockwise (COOLER). Press HEAT button. Roomside blower will start immediately at low speed and motorized damper will open to admit fresh air in the MASTER and SLAVE(S) units. Turn thermostat fully counterclockwise (WARMER). Heating module will now operate and discharge air will become warm. After a short time delay, the heating module of the SLAVE will operate.
  
- B. Set thermostat knob fully counterclockwise (WARMER) and press COOL button. Roomside blower will run at Lo Speed and motorized damper will open to admit fresh air in the MASTER and SLAVE(S) units. Turn thermostat knob fully clockwise (COOLER). Roomside blower speed will increase and the fresh air damper will close in the MASTER and SLAVE(S) units. The compressor and condenser blower will operate and discharge air will become cool. After a short time delay, the compressor and condenser blower of the SLAVE will operate.

C. After room has cooled appreciably, the compressor and condenser blower will stop, roomside blowers will switch to Lo Speed and fresh air damper will reopen in the MASTER and SLAVE(S) units.

D. Press OFF button. All operations stop.

NOTE: Fresh air damper will be closed during all cycles unless override switch is set to open position.