



decentralized air conditioning systems

Installation Instructions Hydronic Heat

700 Series — Models 7 thru 17 Hydronic Heater Installation

Two different types of hydronic heating modules are available: (1) hot water heat, and (2) steam heat. Both modules are installed on the wall box mounting flange in exactly the same way.

Step 1. Position holes in heating module brackets over vertical studs on wall box mounting flange. Lower heating module onto studs while swinging module downward and inward until the slots in its side brackets engage the studs at the outer ends of the wall box mounting flange.

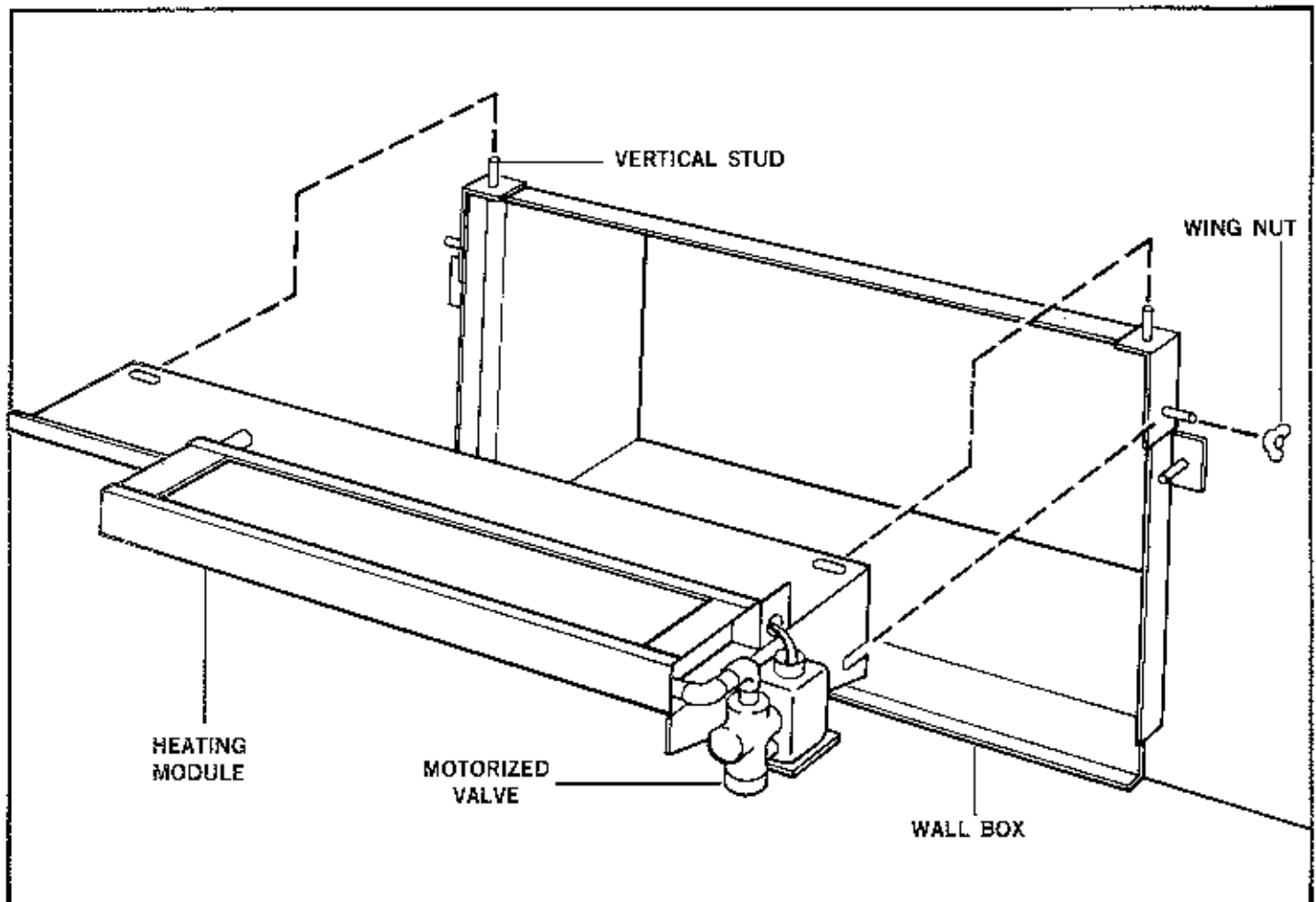
Step 2. Tighten wing nuts on side studs only. Top studs also hold room cabinet; nuts are tightened on those studs during installation of cabinet. Two wing nuts are packed in hardware bag in heating module carton.

Step 3. Connect heating module to piping in accordance with plans and specifications. Motorized valves are supplied with all Climate Master hydronic heating modules.

[1] On hot water heating systems install a shut-off valve upstream from the motorized valve on the inlet and an air vent and balancing cock on the outlet.

[2] On steam systems install a radiator trap in the outlet line. Other connections are the same as for hot water systems.

[3] All piping systems should be properly flushed before connection to the heating modules and should be purged after connection and filling.





decentralized air conditioning systems

Installation Instructions Hydronic Heat

WITH 3 WAY MOTORIZED VALVE

700 Series — Models 7 Thru 17 Hydronic Heat w/3-Way Valve Installation

Two different types of hydronic heating modules are available: (1) hot water heat, and (2) steam heat. Both modules are installed on the wall box mounting flange in exactly the same way.

Step 1. Position holes in heating module brackets over vertical studs on wall box mounting flange. Lower heating module onto studs while swinging module downward and inward until the slots in its side brackets engage the studs at the outer ends of the wall box mounting flange.

Step 2. Tighten wing nuts on side studs only. Top studs also hold room cabinet; nuts are tightened on those studs during installation of cabinet. Two wing nuts are packed in hardware bag in heating module carton.

Step 3. Connect heating module to piping in accordance with plans and specifications. Motorized valves are supplied with all Climate Master hydronic heating modules.

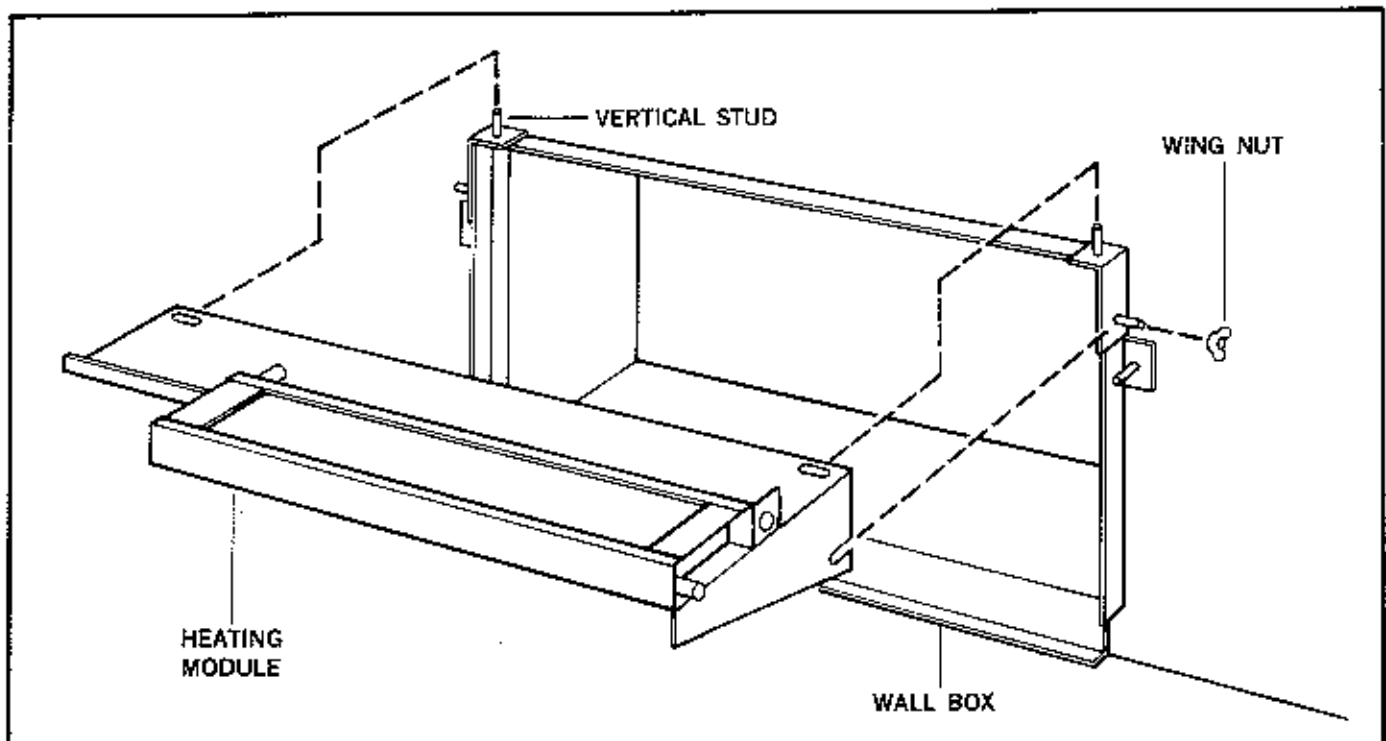
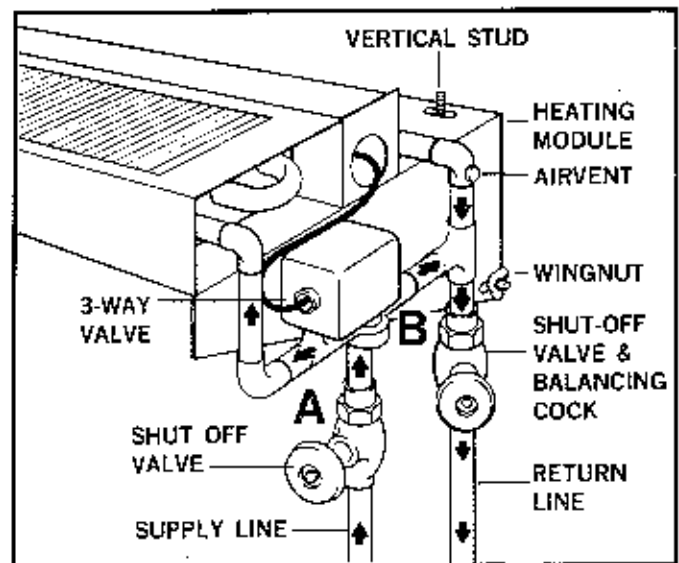
NOTE: Specify voltage requirement when ordering motorized valve.

[1] Drawing at right shows a typical hot water piping installation using a 3-way motorized valve. "A" indicates supply to the coil and "B" indicates bypass to the return line.

[2] On steam systems install a steam trap on the return line and rotate the motorized valve 180 degrees. This makes "B"

the supply to the coil and "A" the bypass to the return line. Other connections are the same as for hot water systems.

[3] All piping systems should be properly flushed before connection to the heating modules and should be purged after connection and filling.





decentralized air conditioning systems

Installation Instructions Room Cabinet HYDRONIC HEAT

ADJUST COIL BRACKET ON HEATING MODULE BEFORE INSTALLING ROOM CABINET. ADJUSTMENT WILL DEPEND ON DISTANCE FROM TOP WALL BOX FLANGE TO BOTTOM OF SILL. UP TO 3½ = NO ADJUST, 3½ to 4 = +½ ADJUST, 4 to 4½ = +1 ADJUST, 4½ to 5 = +1½ ADJUST.

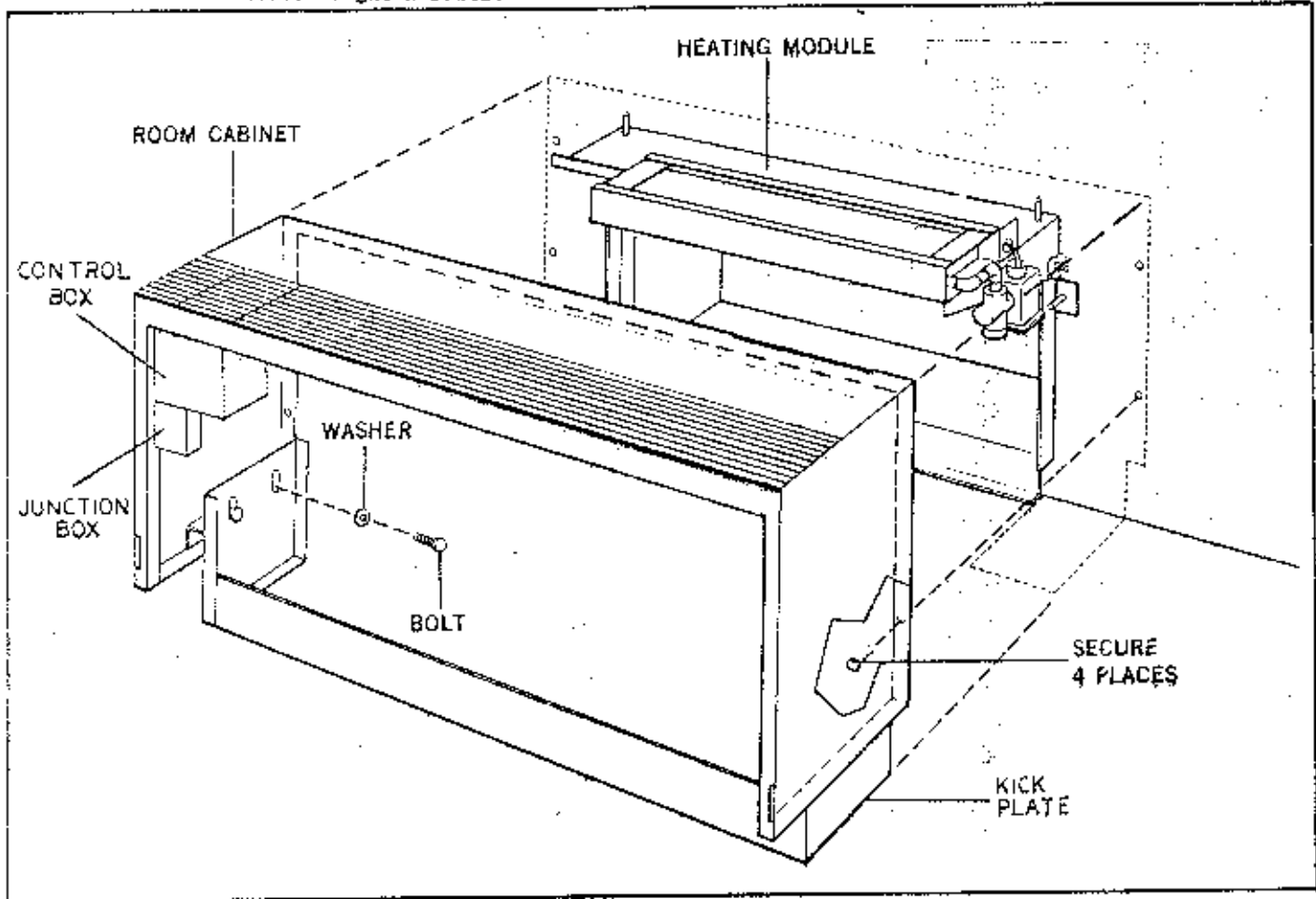
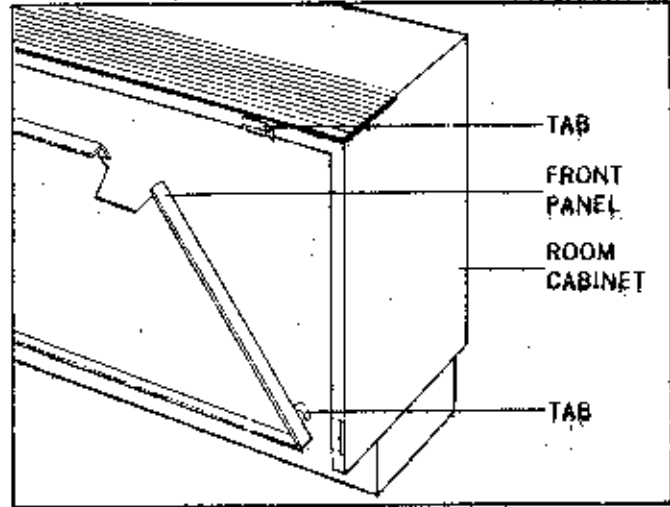
The room cabinet is shipped fully assembled with control and junction box assembly. The cabinet should be installed only after the interior walls and the floors have been finished, (Leave protective pad on top of cabinet until complete unit is ready for operation.)

STEP 1. Remove front panel by pulling up firmly to free tabs, then swing panel away from cabinet.

STEP 2. REMOVE PROTECTIVE PADS ON TOP AND BOTTOM OF HEAT MODULE BEFORE INSTALLING CABINET!! Position room cabinet over top wall box mounting flange and align label correctly with edge of heat section. Push cabinet hard against wall (Make sure cabinet is sitting level on heat module) and lag thru 4 holes provided in side flanges of cabinet.

STEP 3. Loosen 4 bolts and adjust kick plates until flush with floor. Tighten bolts.

STEP 4. Front panel may be put back on until chassis arrives. Set lower mounting tabs of panel into slots at bottom of cabinet side panel. Swing panel to vertical position and lower it until upper mounting tabs in cabinet slip into flange on top of panel. Press firmly downward on panel to secure it.





decentralized air conditioning systems

Installation Instructions Control Module

STEAM HEAT

CONTROL MODULE INSTALLATION

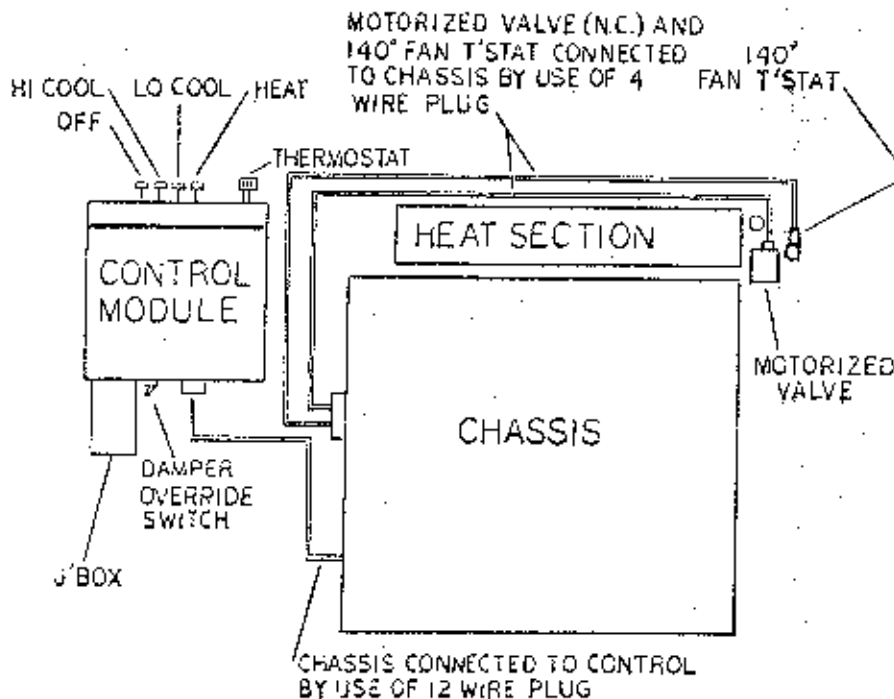
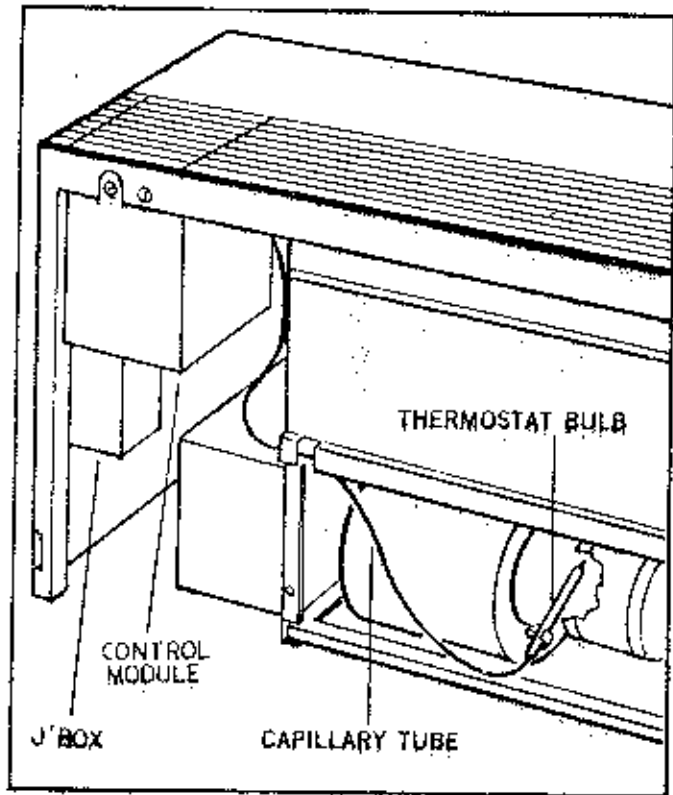
Step 1. Plug heat section cord into chassis and cooling chassis cord into the control. The heat section receptacle and the cooling chassis receptacle are labeled to match their respective plugs.

Step 2. Open blower compartment cover on cooling chassis by loosening two (2) sheet metal screws. Unwind thermostat capillary tube and stretch it through slot at upper left corner of blower compartment. **CAUTION:** Be careful not to kink or break capillary tube while unwinding it.

Insert bulb and clip at left hand blower inlet. Tip of bulb must be higher than its junction with the capillary tube and must not come in contact with the blower wheel or motor shaft. Close blower compartment cover and tighten two (2) sheet metal screws.

MANUAL CHANCEOVER

Correct voltage and current must be supplied to each terminal in accordance with the nameplate ratings. The disconnect switch must be closed and all electrical leads must be plugged into the control module in the correct manner. **CAUTION:** Before turning on main power, make certain that all control module OFF buttons are down. 4 button control modules provide for OFF, HI COOL, LO COOL, and HEAT. See Sheet 3 for operation.



OPERATION	SWITCH BUTTON DEPRESSED	T' STAT	COMPONENT RUN
HEAT NEUTRAL	"HEAT"	NO DEMAND	NONE
HEAT DEMAND (1)	"HEAT"	HEAT DEMAND	VENT OPEN, STEAM VALVE OPEN, LOW SPEED ROOM FAN
COOL NEUTRAL	"HI COOL"	NO DEMAND	HI SPEED ROOM FAN, VENT OPEN
COOL DEMAND	"HI COOL"	COOL DEMAND	HI SPEED ROOM FAN, VENT OPEN, COMPRESSOR & COND. FAN
COOL NEUTRAL	"LO COOL"	NO DEMAND	LO SPEED ROOM FAN, VENT OPEN
COOL DEMAND	"LO COOL"	COOL DEMAND	LO SPEED ROOM FAN, VENT OPEN, COMPRESSOR & COND. FAN ON
OFF	"OFF"	ANY POSITION	VENT CLOSED, NO COMPONENTS RUNNING

NOTES:

- When heat button is depressed, vent (damper door) will remain closed and room fan will not run until (A) thermostat calls for heat and (B) of steam heat coil return header reaches a minimum surface temperature of 140°F.
- When concealed vent (damper) switch on control is switched to "OFF" position vent will close and remain closed regardless of switch buttons depressed or position of thermostat knob.
When concealed vent switch is in open (On) position, vent will operate as charted above and qualified in Note 1.