



decentralized air conditioning systems

# Installation Instructions

## Control Module

### ELEC., HOT WATER & STEAM HEAT

#### 700 SERIES — MODELS 7 THRU 17 CONTROL MODULE INSTALLATION

**Step 1.** Remove and save two (2) mounting screws from top front of control module. Fit aluminum switch plate over push buttons and thermostat shaft. Press thermostat knob into thermostat shaft.

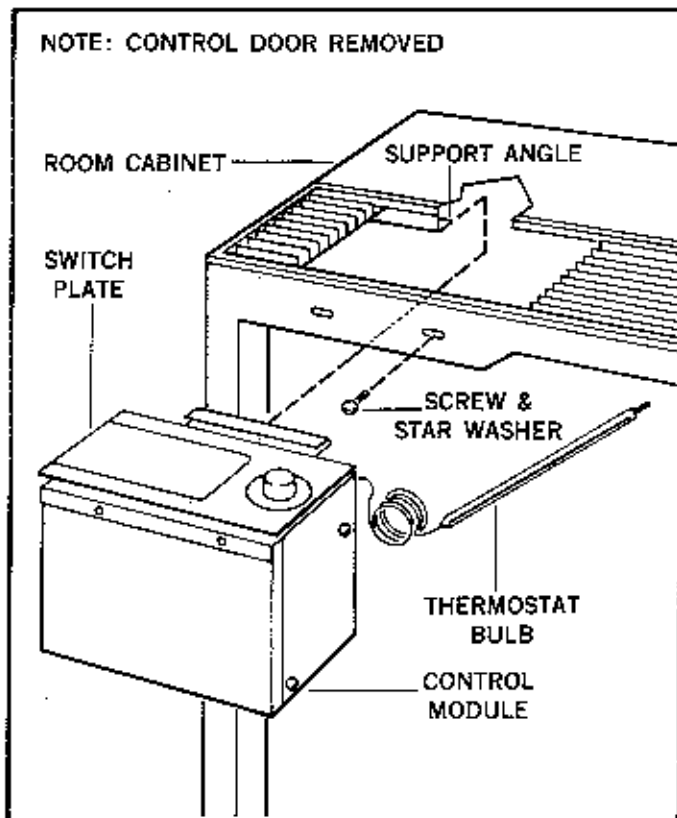
**Step 2.** Hook slot at the top rear of control module over the support angle in the room cabinet. Swing module upward and forward until mounting holes in module align with mounting slots in the front flange of room cabinet.

**Step 3.** Re-install two (2) mounting screws and tighten securely.

**Step 4.** Plug heat section cord and cool chassis cord into the control. The heat section cord and cool chassis cord are labeled to match their receptacles at the control.

**Step 5.** Open blower compartment cover on cooling chassis by loosening two (2) sheet metal screws. Unwind thermostat capillary tube and stretch it through slot at upper left corner of blower compartment. **CAUTION:** Be careful not to kink or break capillary tube while unwinding it.

Insert bulb and clip at left hand blower inlet. Tip of bulb must be higher than its junction with the capillary tube and must not come in contact with the blower wheel or motor shaft. Close blower compartment cover and tighten two (2) sheet metal screws.



#### AUTOMATIC CHANGEOVER

Correct voltage and current must be supplied to each unit in accordance with the nameplate ratings. All electrical leads must be connected to the control module in the correct manner and the disconnect switch must be closed.

**CAUTION:** Before turning on main power, make certain that all control module STAND-BY (OFF) buttons are down.

This control includes a 3-button switch that provides for STAND-BY (OFF) ON and VENT. Each function operates as follows:

**A.** Set thermostat knob fully counterclockwise (WARMER). Press ON button. Roomside blowers will start immediately at LO speed. Motorized damper will open to admit fresh air and the heating module will operate. Within a few moments, the discharge air will become warm.

**B.** Turn thermostat clockwise (COOLER). Roomside blower speed will increase. Compressor and condenser blower will start and fresh air damper will close. Discharge air will become cool within a few moments.

**C.** After room has cooled appreciably, the compressor and condenser blower will stop. Roomside blower will switch to LO speed and fresh air damper will reopen.

**D.** Press VENT button. Roomside blowers will continue to run and motorized damper will open to admit fresh air. Neither the heater or compressor and condenser blower will operate when the VENT button is down.

**NOTE:** Fresh air damper will operate only when the damper override switch is set to OPEN position.

**E.** Press STAND-BY (OFF) button. All operations will stop.

