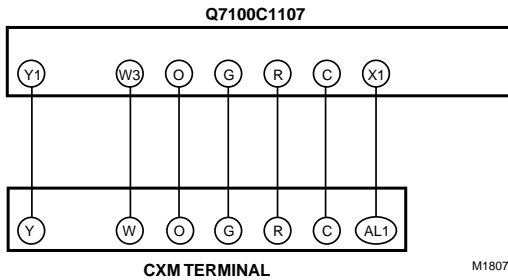
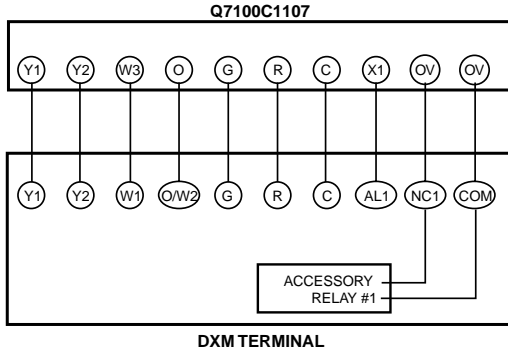


ATA32H02

Y7100G1017 (T7100F1097/Q7100C1107)

INSTALLATION INSTRUCTIONS

Use the installation instructions in form 69-0965—2, but use the following hook-up diagrams.



M18076A

