



LEGEND

	FACTORY LOW VOLTAGE WIRING
	FACTORY LINE VOLTAGE WIRING
	FIELD LOW VOLTAGE WIRING
	FIELD LINE VOLTAGE WIRING
	PRINTED CIRCUIT TRACE
	OPTIONAL LOW VOLTAGE WIRING
	OPTIONAL LINE VOLTAGE WIRING
	OPTIONAL BOX

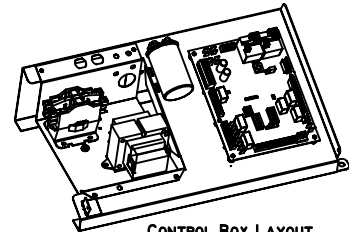
	RELAY / CONTACTOR COIL
	THERMISTOR
	CONDENSATE PAN
	GROUND
	OPTIONAL
	WIRE NUT
	SPLICE CAP
	LED

	CIRCUIT BREAKER
	SOLENOID COIL
	RELAY CONTACTS - N.C.
	RELAY CONTACTS - N.O.
	CAPACITOR
	TEMPERATURE SWITCH
	LOW PRESSURE SWITCH
	HIGH PRESSURE SWITCH

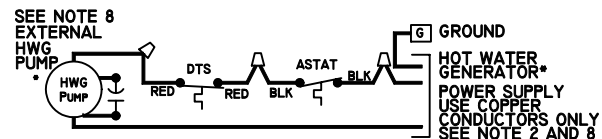
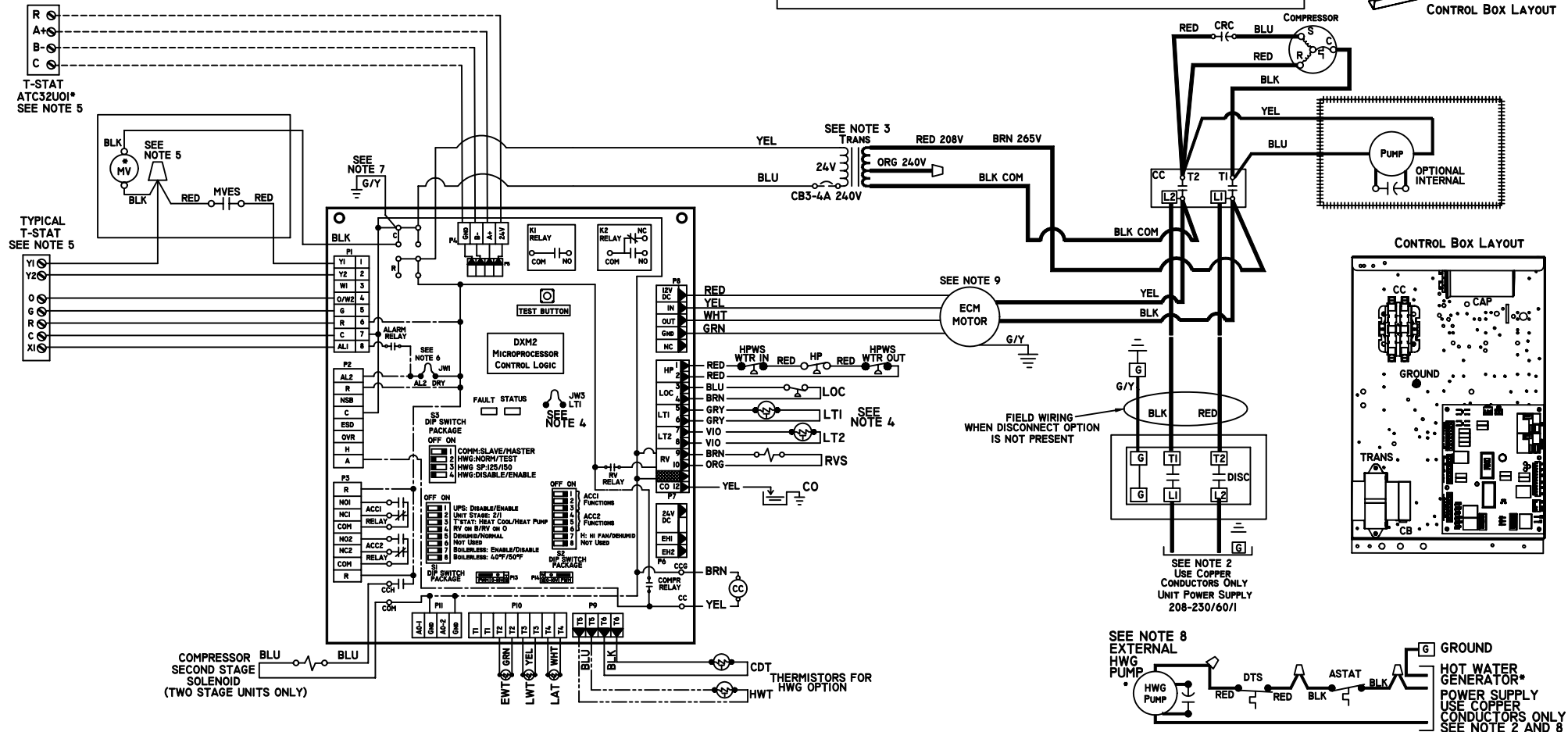
AL	ALARM RELAY CONTACTS
BM	BLOWER MOTOR
BMC	BLOWER MOTOR CAPACITOR
BR	BLOWER RELAY
CRB	COMPRESSOR RUN CAPACITOR
CRC	CIRCUIT BREAKER
CC	COMPRESSOR CONTACTOR
CD	COMPRESSOR DISCHARGE TEMPERATURE SENSOR
CO	CONDENSATE OVERFLOW SENSOR
HP	HIGH PUMP AMBIENT TEMP SWITCH
HPA	HIGH PRESSURE SWITCH
HPWS	HIGH PRESSURE WATER SWITCH

HWG	HOT WATER GENERATOR
HWT	HOT WATER GENERATOR ENTERING WATER TEMP SENSOR
JW	JUMPER WIRE
LOC	LOSS OF CHARGE PRESSURE SWITCH
LTI	WATER COOL. LOW TEMPERATURE PROTECTION SENSOR
LT2	AIR COOL. LOW TEMPERATURE PROTECTION SENSOR
PB	FIELD WIRING POWER BLOCK
PR	PUMP RELAY
RV	REVERSING VALVE
TRANS	TRANSFORMER
WV	WATER VALVE

- NOTES:**
1. COMPRESSOR AND BLOWER MOTOR THERMALLY PROTECTED INTERNALLY.
 2. ALL WIRING TO THE UNIT MUST COMPLY WITH NEC AND LOCAL CODES.
 3. 208/230V TRANSFORMER WILL BE CONNECTED FOR 208V OPERATION. FOR 240V OPERATION, DISCONNECT RED LEAD AT L1, AND ATTACH ORG LEAD TO L1. INSULATE OPEN END OF RED LEAD.
 4. LTI THERMISTOR PROVIDES LOW TEMPERATURE PROTECTION FOR WATER. WHEN USING ANTIFREEZE SOLUTIONS, CUT JW3 JUMPER.
 5. REFER TO MPC, LON, OR TSTAT INSTALLATION, APPLICATION, AND OPERATION MANUAL FOR CONTROL WIRING TO THE UNIT. WIRE "T" FROM T-STAT TO "F" DXM WHEN A MOTORIZED VALVE IS NOT USED. T-STAT WIRING MUST BE "CLASS 1" AND VOLTAGE RATINGS EQUAL TO OR GREATER THAN UNIT SUPPLY VOLTAGE.
 6. 24V ALARM SIGNAL AT AL1. FOR DRY CONTACT BETWEEN AL1 & AL2, CUT JW1.
 7. TRANSFORMER SECONDARY GROUND VIA CXM/DXM BOARD STANDOFFS & SCREWS TO CONTROL BOX. (GROUND AVAILABLE FROM TOP TWO STANDOFFS AS SHOWN.)
 8. AQUA STAT IS SUPPLIED WITH UNIT AND MUST BE WIRED IN SERIES WITH THE HOT LEG TO THE PUMP. AQUA STAT IS RATED FOR VOLTAGE UP TO 277V.
 9. FOR ECM BLOWER MOTOR AIR FLOW ADJUSTMENT AND DIAGNOSTIC INFORMATION REFER TO UNIT IOM.



CONTROL BOX LAYOUT



SEE NOTE 2 USE COPPER CONDUCTORS ONLY UNIT POWER SUPPLY 208-230/60/1