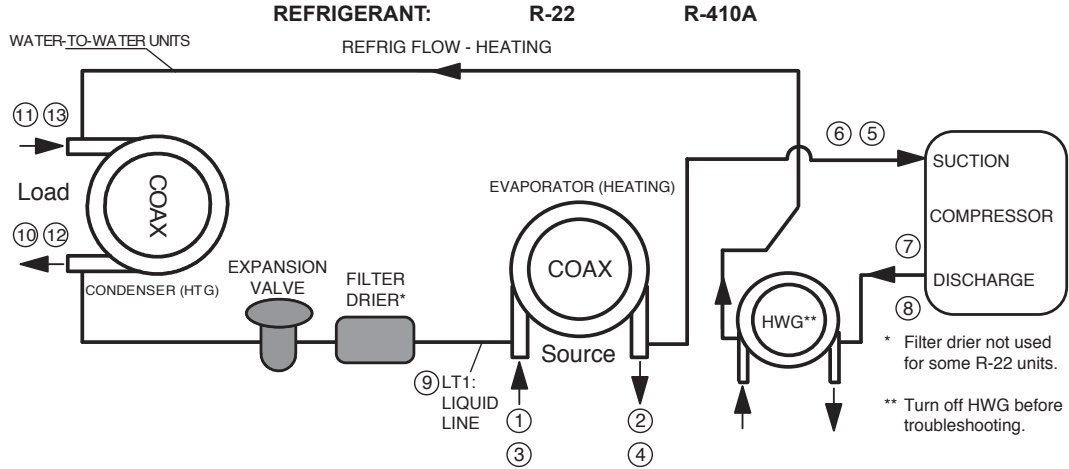


Water-to-Water (Heating Only) Troubleshooting Form

Customer: _____ Loop Type: _____ Startup Date: _____

Model #: _____ Serial #: _____ Antifreeze Type & %: _____

Complaint: _____



Description		Heating	Notes
Water Side Analysis			
1	Water In Temp.		
2	Water Out Temp.		Temp. Diff. =
3	Water In Pressure		
4	Water Out Pressure		
4a	Pressure Drop		
4b	GPM		
Heat of Extraction (Absorption) or Heat of Rejection: HE or HR (Btuh) = _____ Enter HE or HR: _____ _____ Flow Rate (GPM) x _____ Temp. Diff (deg F) x _____ Fluid Factor			Fluid Factor: 500 (Water); 485 (Antifreeze)
Refrigerant Analysis			
5	Suction Temp.		
6	Suction Pressure		
6a	Saturation Temp.		
6b	Superheat		
7	Discharge Temp.		
8	Discharge Pressure		
8a	Saturation Temp.		
8b	Subcooling		
9	Liquid Line Temp		
10	Load Water In Temp.		
11	Load Water Out Temp.		Temp. Diff. =
12	Load Water In Pressure		
13	Load Water Out Pressure		
13a	Pressure Drop		
13b	GPM		
	Voltage		
	Compress Amps		