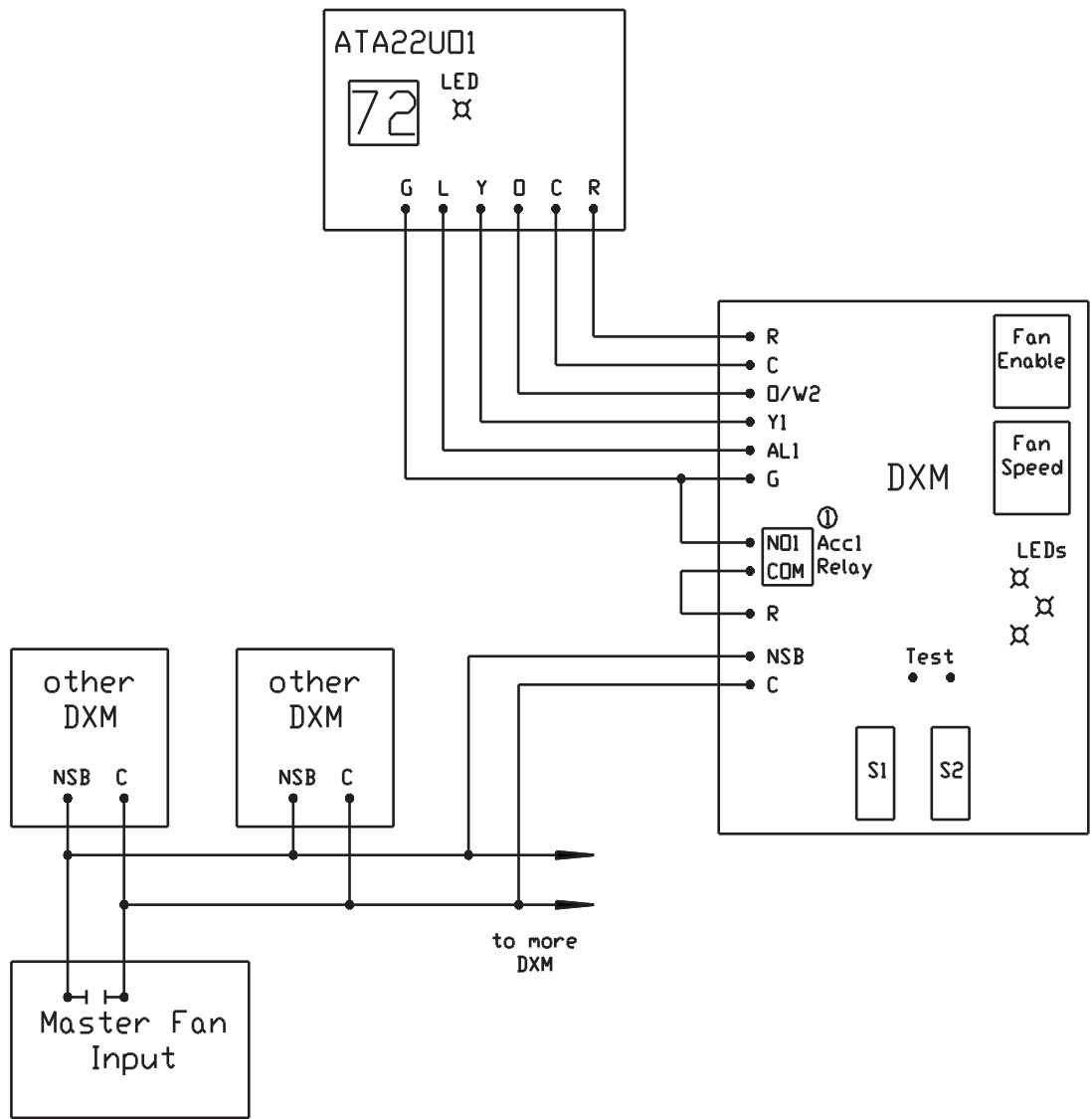


# DXM-Master Fan Input

## DXM-Master Fan Input



Notes

1) Acc1 Relay will turn on fan when NSB is connected to C. Dips 2.1=off, 2.2=on, 2.3=on.