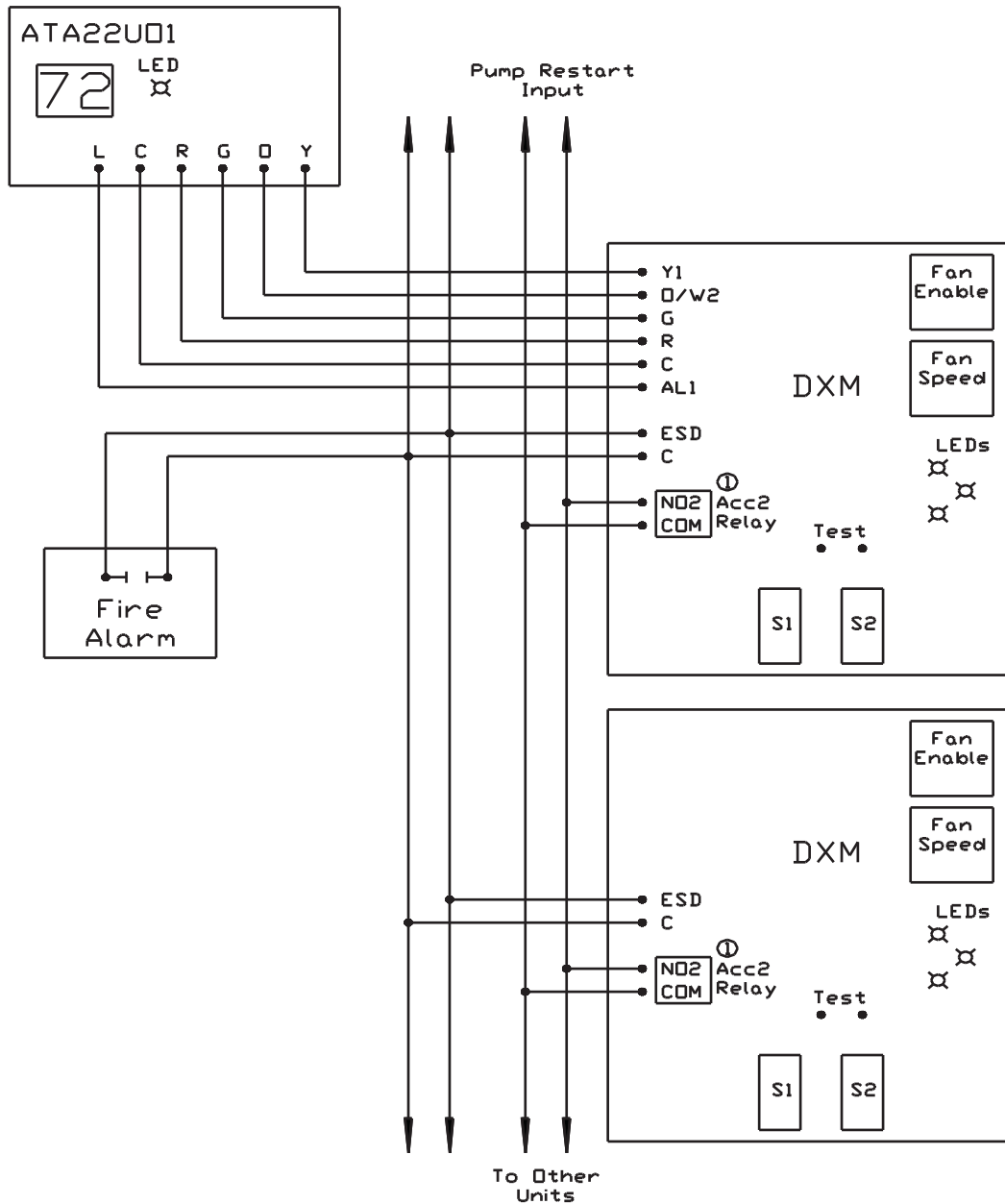


DXM-Emergency Shutdown and Pump Restart

DXM-Emergency Shutdown And Pump Restart



Notes

1) Acc2 relay is used for Pump Restart signal. Dips 2.4=on, 2.5=on, 2.6=on.