

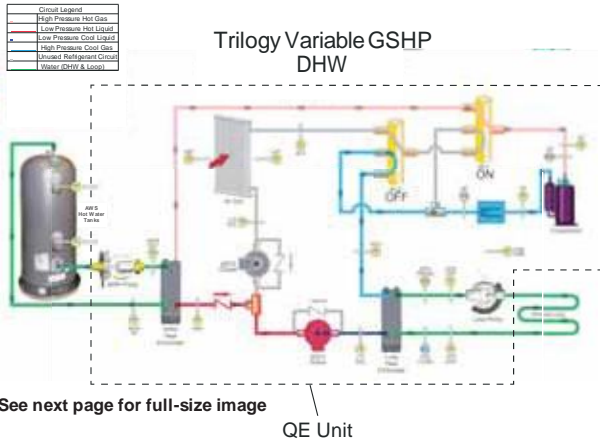








# Refrigeration Troubleshooting Form - DHW



**Customer:** \_\_\_\_\_

**Startup Date:** \_\_\_\_\_

**Model #:** \_\_\_\_\_

**Serial #:** \_\_\_\_\_

**Antifreeze type & %:** \_\_\_\_\_

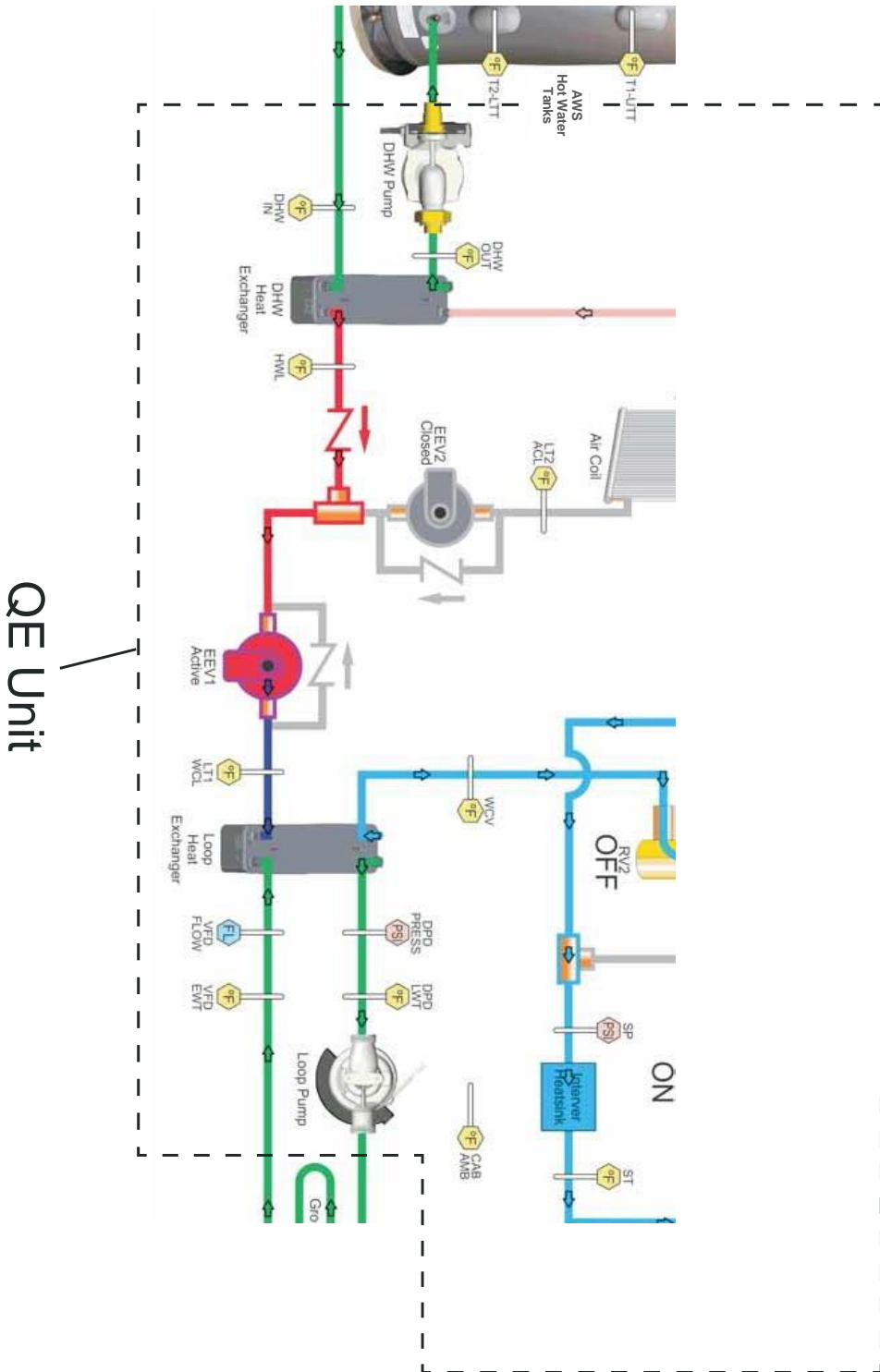
**Complaint:**

Description		Value	Notes
1	Voltage		
2	Compressor Current		
3	Inverter Current		
4	Compressor Speed		
5	Fan CFM		
6	Fan RPM		
7	EEV1 Position		
8	EEV2 Position		
9	Suction Pressure (SP)		
10	Suction Saturation Temp		
11	Suction Superheat		
12	Discharge Temp (DT)		
13	Discharge Pressure (DP)		
14	Discharge Saturation Temp		
15	Discharge Superheat		
16	Subcooling		
17	Air Coil Liquid Temp (ACL)		
18	Air Coil Vapor Temp (ACV)		
19	Water Coil Liquid Temp (WCL)		
20	Water Coil Vapor Temp (WCV)		
21	HR / HE		
22	Supply Air Temp (SAT)		
23	Leaving Air Temp (LAT)		
24	Loop EWT		
25	Loop LWT		
26	Loop GPM		
27	Loop Pressure		
28	Loop Pump Speed		
29	Loop Pump Feedback		
30	HW Liquid Temp		
31	DHW IN		
32	DHW OUT		
33	DHW GPM		
34	DHW Pump Speed		
35	DHW Pump Feedback		
36	DHW Upper Tank Temp (UTT)		
37	DHW Lower Tank Temp (LTT)		

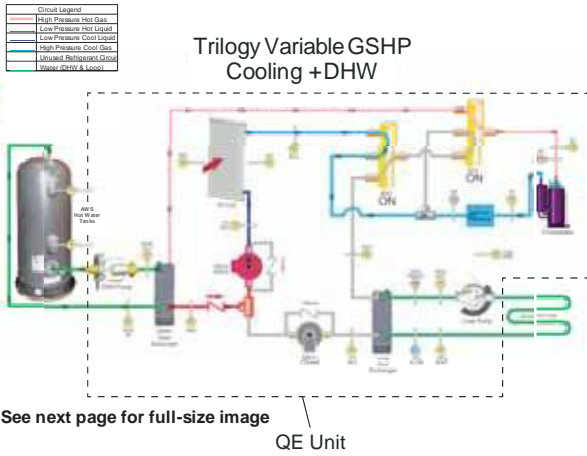
# Refrigeration Troubleshooting Form - DHW

Circuit Legend	
	High Pressure Hot Gas
	Low Pressure Hot Liquid
	High Pressure Cool Gas
	Unused Refrigerant Circuit
	Water (DHW & Loop)

## Trilogy Variable GSHP DHW



# Refrigeration Troubleshooting Form - Cooling + DHW



**Customer:** \_\_\_\_\_

**Startup Date:** \_\_\_\_\_

**Model #:** \_\_\_\_\_

**Serial #:** \_\_\_\_\_

**Antifreeze type & %:** \_\_\_\_\_

**Complaint:**

Description		Value	Notes
1	Voltage		
2	Compressor Current		
3	Inverter Current		
4	Compressor Speed		
5	Fan CFM		
6	Fan RPM		
7	EEV1 Position		
8	EEV2 Position		
9	Suction Pressure (SP)		
10	Suction Saturation Temp		
11	Suction Superheat		
12	Discharge Temp (DT)		
13	Discharge Pressure (DP)		
14	Discharge Saturation Temp		
15	Discharge Superheat		
16	Subcooling		
17	Air Coil Liquid Temp (ACL)		
18	Air Coil Vapor Temp (ACV)		
19	Water Coil Liquid Temp (WCL)		
20	Water Coil Vapor Temp (WCV)		
21	HR / HE		
22	Supply Air Temp (SAT)		
23	Leaving Air Temp (LAT)		
24	Loop EWT		
25	Loop LWT		
26	Loop GPM		
27	Loop Pressure		
28	Loop Pump Speed		
29	Loop Pump Feedback		
30	HW Liquid Temp		
31	DHW IN		
32	DHW OUT		
33	DHW GPM		
34	DHW Pump Speed		
35	DHW Pump Feedback		
36	DHW Upper Tank Temp (UTT)		
37	DHW Lower Tank Temp (LTT)		

# Refrigeration Troubleshooting Form - Cooling + DHW

Circuit Legend	
<span style="color: red;">—</span>	High Pressure Hot Gas
<span style="color: blue;">—</span>	Low Pressure Hot Liquid
<span style="color: blue;">—</span>	High Pressure Cool Gas
<span style="color: blue;">—</span>	Low Pressure Cool Liquid
<span style="color: grey;">—</span>	Unused Refrigerant Circuit
<span style="color: green;">—</span>	Water (DHW & Loop)

## Trilogy Variable GSHP Cooling + DHW

