



# ACCESSORIES

UNIT AND LOOP ACCESSORIES

## Table of Contents

Accessory Description .....	3	Loop Accessories.....	18
Accessory Compatability .....	4	Extra Large Loop Accessories.....	20
Thermostats and Service Tools.....	5	Installation Accessories.....	21
AWC99B01 iGate® Connect, Two-Way Communicating Thermostat.....	6	Geothermal Loop Pipe .....	22
ATU3203 iGate® Communicating Thermostat .....	7	Geothermal Fittings.....	23
ATP32U03 Thermostat .....	9	Socket Fusion Tools.....	25
ATP32U04 Thermostat .....	11	Service Tools.....	26
ATA21U01 Thermostat.....	13	Service Parts Kit .....	26
AZ06CAR iGate® ClimaZone™ Zoning Panel.....	14	Cabinet Samples.....	26
iGate® Smart Tank.....	15	Filters .....	27
Unit Accessories.....	16	Revision History .....	28

To further improve comfort and convenience, ClimateMaster offers the following accessories

## Water-to-Air

### EarthPure® Electronic Air Cleaner

ClimateMaster's EarthPure® Polarized Media Electronic Air Cleaner installs directly into the 2" / 1" filter rack of your ClimateMaster heat pump or air handler. The electronically enhanced media combines elements of both electronic and media air cleaners. It efficiently removes particles down to 0.3 microns and REMOVES ODORS.



### Tranquility® Secondary Drain Pan

The ClimateMaster Secondary Drain Pan was designed specifically for Tranquility® Horizontal foot prints. This drain pan matches the unit perfectly for open ceiling applications and to meet required mechanical codes.



### Tranquility® Unit Vibration Isolation Pad

High density rubber pad for quiet operation. The sound/vibration isolation pad is ideal for second floor, pier and beam construction and attic installations.



### Tranquility® Unit Stand

Compliment the ClimateMaster Tranquility® product line with a matching unit stand. This stand is ideal for areas that must have raised equipment to meet required mechanical codes.



### Auxiliary/Electric Heater

Internally mounted in vertical cabinets. Externally mounted on horizontal cabinets. Sizes 15-20 kW AGM\*A and 4-20 kW AGM\*C include internal circuit breaker. ETL listed. Circuit fusing per UL/NEC. Wiring harness connections included in residential units.



### Flow Controller

Small Compact, proven design, easy to mount, urethane foam insulated to prevent condensation, includes factory supplied full flow service valves for easy loop charging, Uses double o-ring adaptor fittings for unit and loop connections. Gray polystyrene cabinet with black pumps. Composite 3-way valves. 230VAC pump(s).



### iGate® Smart Tank

Industry's first Communicating water storage tank, allows full-time year-round hot water by communicating water temperature to the Trilogy® Q-Mode® unit. The control on the Smart tank controls the Titanium electric elements to minimize use. The Seamless polybutene tank is designed for a lifetime of highly efficient use and is impervious to corrosion. The thick polyurethane foam offers superior insulation compared to other storage tanks. The tough, molded polyethylene exterior resists dents, scratches, and salt air.



### iGate® ClimaZone™ Zoning Panel

This optional panel allows a single Trilogy unit to be controlled by multiple thermostats, conditioning the home in smaller zones instead of one large single zone. One unit accommodates up to 6 zones with a single panel or up to 12 zones with two panels.



### Remote Thermostat Sensor

Outdoor or Remote Temperature Sensor

### SecureStart™ Compressor Soft Start Kit

Single phase compressors typically have starting inrush currents that range from five to seven times their normal running current. The SecureStart™ module is designed to reduce inrush current to the compressor by up to 75% and prevents lights dimming when the compressor starts up.



## Water-to-Water

### Anti-Scald Valve

Anti-scald valve be used in DHW systems where HWG setpoint is 150°F



### Accessory Pump Slaving Module

Allows a single flow controller to be controlled by 2 different units. Eliminates additional field wiring and extra relays.



## Accessory Compatibility

Accessories	Packaged			Tranquility®	Split		Water-to-Water
	Trilogy®	Tranquility® Digital	Tranquility®		Tranquility® Digital		Tranquility®
	QE	TE	TZ	TS	TES, TEP	TAH, TAC	TBW, TCW
iGate® Smart Tank	X						
iGate® ClimaZone™	X						
AWC iGate® Connect thermostat	X						
ATC thermostat/ ACD service tool		X	X		X	X	
ATP/ATA Thermostats		X	X	X	X	X	
EarthPure® Polarized Media Electronic Air Cleaner	X	X		X	X	X	
Secondary Drain Pan	X	X		X			
Tranquility® Unit Vibration Isolation Pad	X	X	X	X	X		
Tranquility® Unit Stand	X	X	X	X	X		
Auxiliary Electric Heater	X	X	X	X	X	X	
Remote/Outdoor Temperature Sensor	X	X	X	X	X	X	
ClimaDry Potentiometer Kit				X			
Anti Scald Valve		X	X	X	X	X	X
Accessory Pump Slaving Module				X			X
Secure Start Compressor Soft Start Kit		X	X	X	X	X	X
Remote Mount HWG (Desuperheater) Kit						X	

## Thermostats and Service Tools

### Thermostats—Communicating



AWC99B01

Internet-connected, Digital, communicating, programmable, variable stage heat – cool. Configure, monitor and diagnose system from thermostat or dealer portal on internet.  
ONLY USED WITH TRILOGY®.



ATC32U03

Digital, communicating, programmable, 3-stage heat, 2-stage cool. Configure, monitor and diagnose system from thermostat.

### Service Tools—Communicating



ACDU02

Configuration diagnostic tool. For use when communicating thermostat is not used.



ASVCTOOL01

For Trilogy® units only. Connect to the Trilogy®'s EXM board to configure, diagnose and update Trilogy® software.

### Thermostats—Non-Communicating



ATP32U03/ATP32U04

Programmable, digital, 3 stage heat, 2 stage cool, auxiliary, fault LED. Use 04 with ClimaDry® units.



ATA22U01

Non-programmable 2 stage heat, 2 stage cool; aux, emergency, fault LED

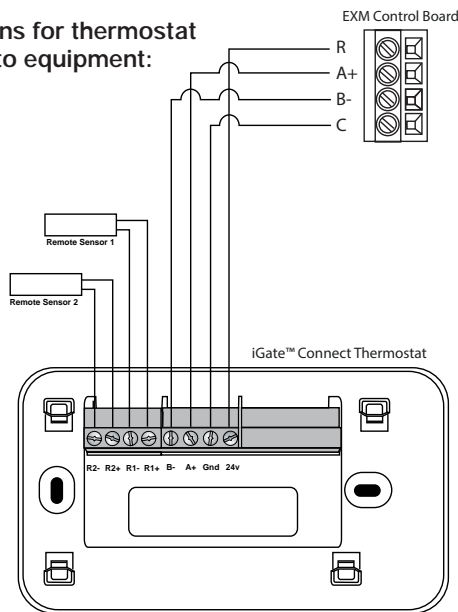


# AWC99B01 iGate® Connect, Two-Way Communicating Thermostat

Variable Stage Heating and Cooling  
Programmable



## Connections for thermostat terminals to equipment:



## Application:

Internet connected, digital, two-way communicating, programmable, variable stage heat-cool. Configure, monitor and diagnose system from thermostat or dealer portal on internet. The thermostat is only compatible with Trilogy® units.

## Features:

### Web-Enabled Home Thermostat

- Communicates personal settings and reminders through the iGate® communication system
- Easy to use, full color, high resolution interface
- Receives notification for routine maintenance
- Sleek, intuitive button control
- Secure internet connection keeps your information private
- Contains Trilogy® unit model, serial number and dealer contact information
- Service and system performance information is stored in the thermostat, increasing the accuracy of diagnosis

### Web Portal Accessible Any Time, Any Where

- Remote login from anywhere, anytime from any device and adjust settings
- Set personal schedule by day, week or month including those times when you will be away from home on vacation or business

- Information is remotely available (if you wish) to your dealer through a dealer portal for remote troubleshooting and diagnosis
- Secure internet connection keeps your information private
- Easy-to-use, high-resolution color display and intuitive interface
- Key features:
  - Precision +/-1°F (0.5°C) temperature control
  - Vacation programming
  - Seven-day programming
  - Humidity sensing
  - Intelligent algorithms that adapt to your home and preferences
  - Fan control
  - Hot water control
- Dealer can receive alerts regarding maintenance, inefficient operations or faults
- Alerts and warning data are viewable from the thermostat and homeowner/dealer portal
- Real time system performance is stored, which increases the accuracy of diagnosing issues and results in faster repairs
- "Service Needed" alert displays dealer name, phone number, model unit/serial number, fault condition and possible causes
- Secure internet portal keeps your information private
- Accessible with Android and iPhone mobile app

## Controls:

- Heat pump control
- Auxiliary heat
- Programmable fan control
- Auto-changeover
- Humidity control
- Intelligent setback recovery
- On-screen contractor information
- Configurable min/max set temperature
- Switch between Fahrenheit and Celsius
- Configurable upstaging and downstaging
- Wireless protocol: B/G/N
- Wi-Fi security encryption
- Encryption communication over internet
- 365-day scheduling/7-day programming

## Specifications:

### Temperature Settings:

- Heat: 55 to 80°F (12 to 27°C)
- Cool: 65 to 95°F (18 to 35°C)
- Display: 40 to 100°F (5 to 37°C)
- Sensitivity: +/-1°F (0.5°C)
- Operating: 32 to 130°F (0 to 55 °C)

### Humidity Range:

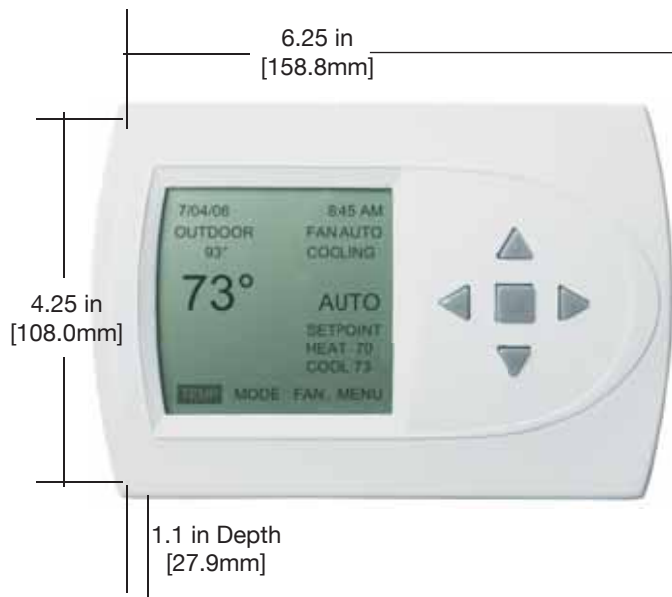
- Display: 20 to 90% R.H.
- Sensitivity: +/-5% R.H.
- Operating: 5 to 95% R.H. (non-condensing)

### Power:

- Power 24 VAC (3VA maximum)

## ATC32U03 iGate<sup>®</sup> Communicating Thermostat

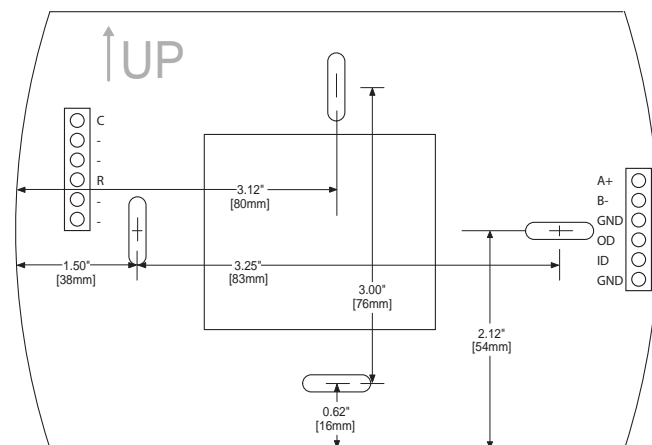
Three-Stage Heat / Two-Stage Cool  
Programmable



### Features (cont.):

- Service warning: Fault condition, current system status (temp/flow) and possible causes displayed to home owner, to better inform dealer before site visit
- Service mode: Once on site, in installer mode service personnel can see fault conditions, possible causes and temperature/flow/i/o conditions at the time of fault
- Demand reduction - Programmed or triggered by external signal from utility company
- 7-day programming
- Programmable or non-programmable operation
- Four periods per day
- °F or °C temperature display
- 12 or 24 hour clock
- Individual heat and cool set points
- Zero temperature droop performance
- Automatic (program mode) or manual (HOLD) operation
- Convenient overrides allow temporary set point changes
- Selectable differential or proportional integral operation
- Set points are permanently held in memory (no batteries used) and retained during power outages
- Room temperature offset adjustment
- Progressive Recovery anticipates the time required to bring the space temperature to the next programmed event, and brings on the heat pump accordingly
- Large backlit dot matrix display is activated whenever a key is pressed and remains on for 25 seconds
- Menu-driven programming with five navigation buttons (UP/DOWN/LEFT/RIGHT/SELECT) for ease of use
- Fault indication with red backlight display
- Configurable service interval messages and servicing contractor contact information
- Keypad lockout
- Back-plate wiring connections for easy installation
- Compatible with AST008 sensor for use as remote and/or outdoor sensor
- Dual fuel capable

### Mounting:



### Application:

The ATC32U03 iGate<sup>®</sup> Communicating Thermostat provides 3 stages heating, 2 stages of cooling, and programmable temperature control of 24V water-source heat pump equipment. Allows 4-wire installation with communicating digital units and advanced configuration, monitoring, control and diagnostics on the thermostat.

### Features:

- 4-Wire Communication with DXM2 or AXM2 UNITS
- Exclusive iGate<sup>®</sup> System - Configuration, monitoring and diagnostics at thermostat:
  - Configure airflow, entering/leaving water,  $\Delta T$ , accessories, unit type

### Specifications:

#### Electrical Rating:

- Input Power: 18 to 30 VAC, 50/60 Hz

#### Operating Conditions:

- 32°F to 104°F [0°C to 40°C]
- 10% to 95% non-condensing

#### Temperature Settings:

- Set point range: 55°F to 95°F [12°C to 35°C], +/- 2°F [1°C]
- Dehumidification set point range: 15% to 95% RH
- Humidification set point range: 10% to 45% RH

#### Output Ratings:

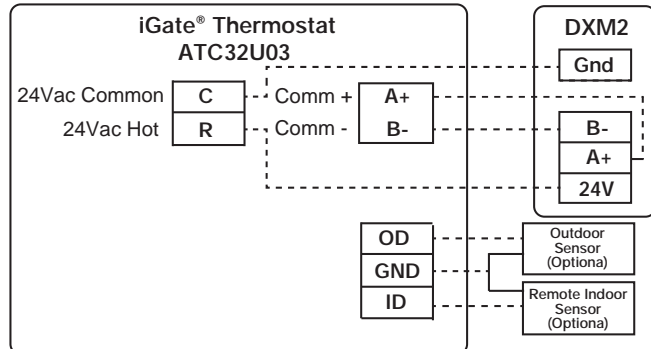
- Maximum current for each output is 1.0 Amp (2.0 max. output total).

# ATC32U03 iGate® Communicating Thermostat

Three-Stage Heat / Two-Stage Cool  
Programmable

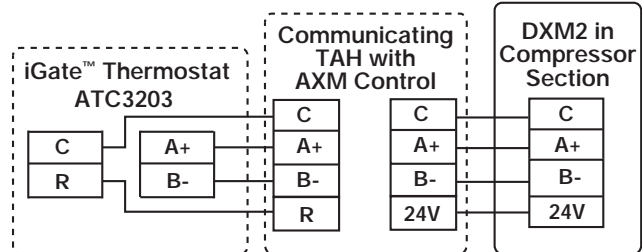
## Packaged Units

iGate® Communicating Thermostat Connection to DXM2 Control



## Split Units

Connection to iGate® Communicating Thermostat and AXM Communicating Control in Tranquility® Digital Air Handler

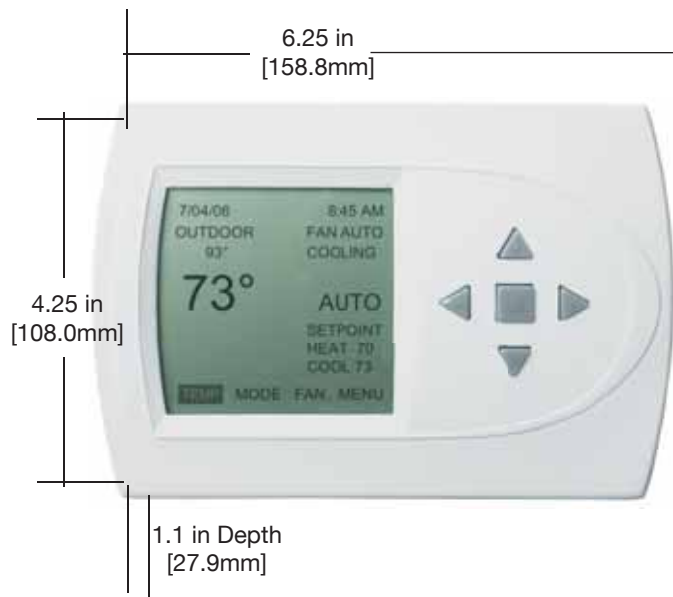


See equipment wiring diagram for more details.



## ATP32U03

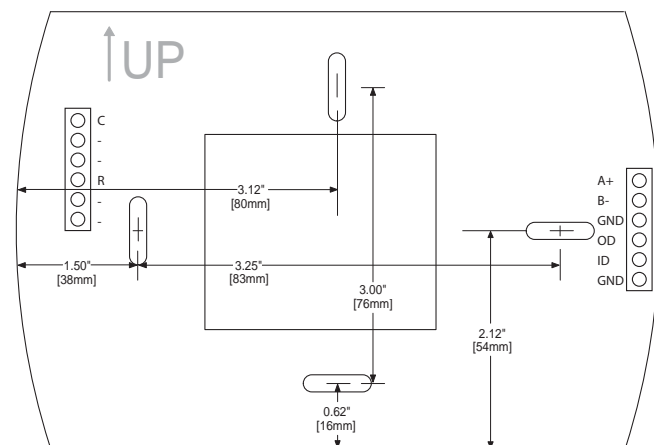
Three Heat / Two Cool, Manual / Auto Changeover Programmable



### Features (cont.):

- Set points are permanently held in memory (no batteries used) and retained during power outages
- Room temperature offset adjustment
- Progressive Recovery anticipates the time required to bring the space temperature to the next programmed event, and brings on the heat pump accordingly
- Large backlit dot matrix display is activated whenever a key is pressed and remains on for 25 seconds
- Menu-driven programming with five navigation buttons (UP/DOWN/LEFT/RIGHT/SELECT) for ease of use
- Fault indication with red backlight display
- Configurable service interval messages and servicing contractor contact information
- Keypad lockout
- Back-plate wiring connections for easy installation
- Exclusive fault identification (When used with CXM or DXM) displays fault from CXM/DXM board (e.g. condensate overflow) and suggests possible causes
- Compatible with AST008 sensor for use as remote and/or outdoor sensor
- Dual fuel capable

### Mounting:



### Specifications:

#### Electrical Rating:

- Input Power: 18 to 30 VAC, 50/60 Hz

#### Operating Conditions:

- 32°F to 104°F [0°C to 40°C]
- 10% to 95% non-condensing

#### Temperature Settings:

- Set point range: 40°F to 90°F [4°C to 32°C], +/- 2°F [1°C]
- Dehumidification set point range: 15% to 95% RH
- Humidification set point range: 10% to 45% RH

#### Output Ratings:

- Maximum current for each output is 1.0 Amp (2.0 max. output total).

### Application:

The ATP32U03 Thermostat provides 3 stages heating, 2 stages of cooling, and programmable temperature control of 24V water-source heat pump equipment.

### Features:

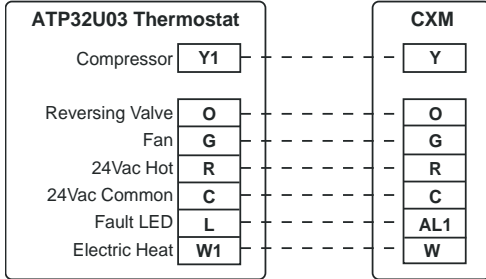
- 7-day programming
- Programmable or non-programmable operation
- Four periods per day
- °F or °C temperature display
- 12 or 24 hour clock
- Individual heat and cool set points
- Zero temperature droop performance
- Automatic (program mode) or manual (HOLD) operation
- Convenient overrides allow temporary set point changes
- Selectable differential or proportional integral operation

# ATP32U03

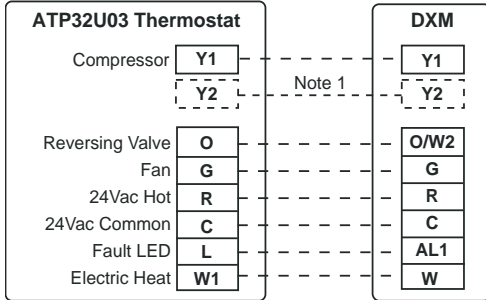
Three Heat / Two Cool, Manual / Auto Changeover Programmable

## Single-Stage Units

### Connection to CXM Control



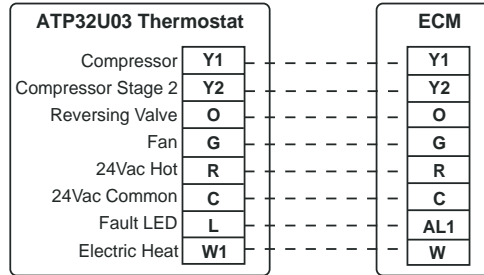
### Connection to DXM Control



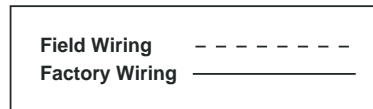
Single stage unit with PSC or belt drive fan motor  
 Note 1: Y2 may be used for High Speed fan for units with direct drive motor

## Two-Stage Units with ECM Fan

### Connection to ECM Control



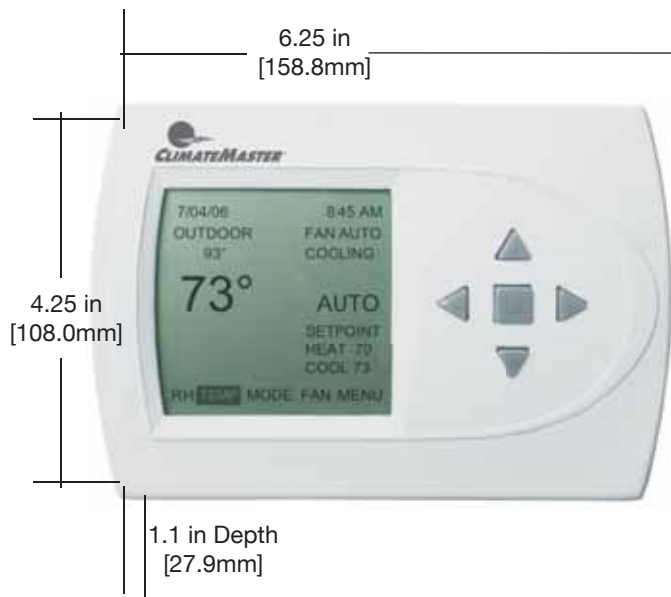
Units with CXM or DXM board and ECM fan motor



See equipment wiring diagram for more details

## ATP32U04

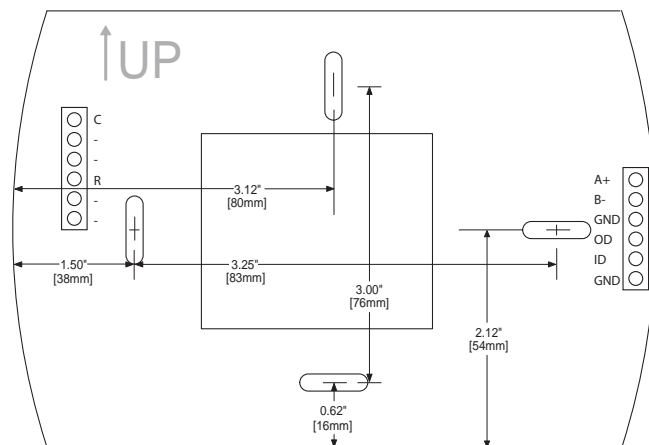
Three Heat / Two Cool, Manual / Auto Changeover  
Programmable (7 Day) - With Humidity Control



### Features (cont.):

- Four periods per day
- °F or °C temperature display
- 12 or 24 hour clock
- Individual heat and cool set points
- Zero temperature droop performance
- Automatic (program mode) or manual (HOLD) operation
- Convenient overrides allow temporary set point changes
- Set points are permanently held in memory (no batteries used) and retained during power outages
- Room temperature offset adjustment
- Progressive Recovery anticipates the time required to bring the space temperature to the next programmed event, and brings on the heat pump accordingly
- Large backlit dot matrix display is activated whenever a key is pressed and remains on for 25 seconds
- Menu-driven programming with five navigation buttons (UP/DOWN/LEFT/RIGHT/SELECT) for ease of use
- Fault indication with red backlight display
- Configurable service interval messages and servicing contractor contact information
- Keypad lockout
- Back-plate wiring connections for easy installation
- Exclusive fault identification (When used with CXM or DXM) displays fault from CXM/DXM board (e.g. condensate overflow) and suggests possible causes
- Compatible with AST008 sensor for use as remote and/or outdoor sensor
- Dual fuel capable

### Mounting:



### Application:

The ATP32U04 Thermostat provides 3 stages heating, 2 stages of cooling, and programmable temperature/humidity control of 24V water-source heat pump equipment.

### Features:

- 7-day programming
- Dehumidification output is designed to work with Whole House Dehumidification Modulating Reheat option or with ECM fan motor dehumidification mode
- Integrated control of both temperature and relative humidity
- Integrated control eliminates separate thermostat and dehumidistat/humidistat
- Thermostat can be programmed to use humidification output to control a humidifier
- Selectable differential or proportional integral operation

### Specifications:

#### Electrical Rating:

- Input Power: 18 to 30 VAC, 50/60 Hz

#### Operating Conditions:

- 32°F to 104°F [0°C to 40°C]
- 10% to 95% non-condensing

#### Temperature Settings:

- Set point range: 40°F to 90°F [4°C to 32°C], +/- 2°F [1°C]
- Dehumidification set point range: 15% to 95% RH
- Humidification set point range: 10% to 45% RH

#### Output Ratings:

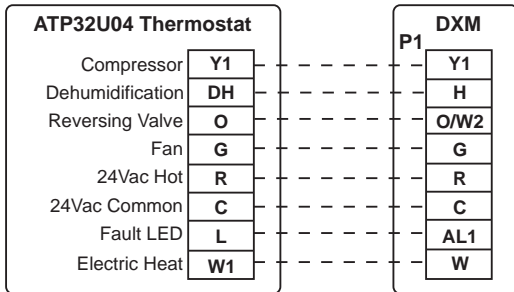
- Maximum current for each output is 1.0 Amp (2.0 max. output total).

# ATP32U04

Three Heat / Two Cool, Auto / Manual Changeover  
 Programmable (7 Day) - Non-Programmable, With Humidity Control

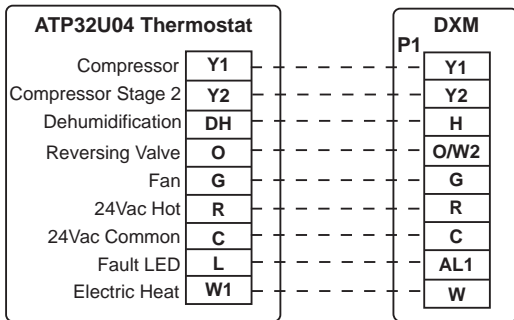
## Units with Whole House Dehumidification Reheat

### Connection to DXM Control (PSC Fan)

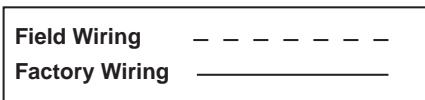


Single stage unit with ClimaDry Modulating Reheat Option and PSC fan

### Connection to DXM Control

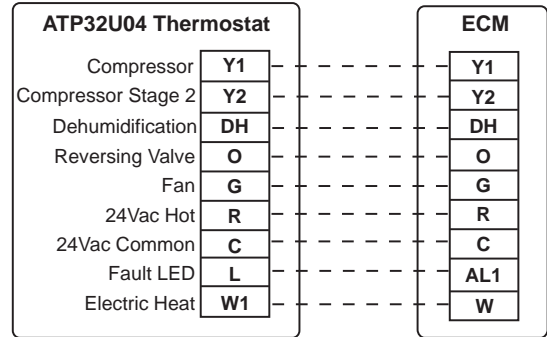


Two-stage unit with ClimaDry Modulating Reheat Option and DXM board



## Units with ECM Fan

### Connection to ECM Control

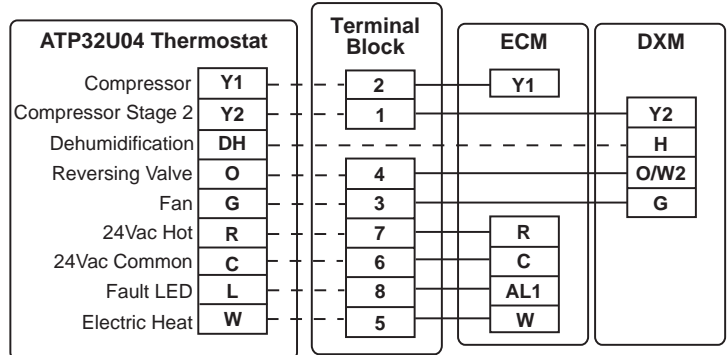


Units with CXM or DXM board and ECM fan motor, utilizing ECM dehumidification mode (w/o ClimaDry option)

- Notes:
- 1) ECM dehumidification mode slows down fan speed in the cooling mode when dehumidification output from thermostat is active. Normal heating and cooling fan speeds are not affected.
  - 2) ECM board DIP switch SW9 must be in dehumid. mode.

## Units with Whole House Dehumidification Reheat & ECM Fan

### Connection to ECM & DXM Control

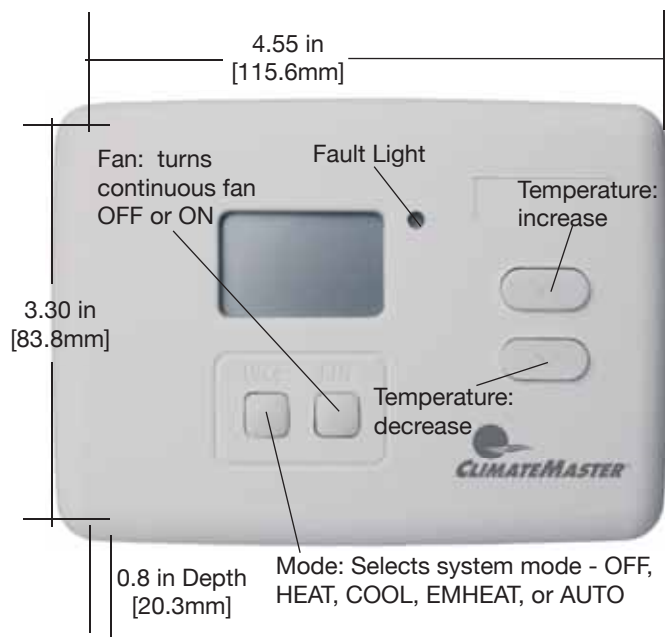


Single or two-stage unit with ClimaDry Modulating Reheat Option and DXM board (ECM fan motor)

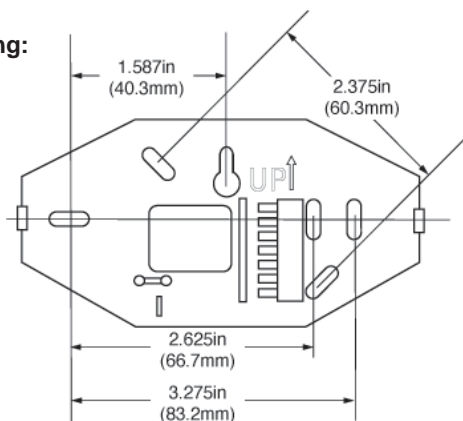
See equipment wiring diagram for more details

## ATA21U01

Two Heat / One Cool  
Auto / Manual Changeover - Non-Programmable  
For use with Single-Stage Units



### Mounting:



### Application:

The ATA21U01 electronic thermostat provides two-stage heat / one stage cool, non-programmable temperature control for 24V water-source heat pump systems.

### Features:

- Heat-Off-Cool-Em Heat-Auto System selections.
- Fan-On-Auto selections.
- °F or °C temperature display.
- Configurable automatic or manual changeover operation.
- Light emitting diode (LED) for alarm status.
- Installer setup options allow for customized applications.
- Zero temperature droop performance.
- Temperature display adjustment feature provides display offset for custom applications.
- Setpoints are permanently held in memory (no batteries used) and retained during power outages.
- Extended fan operation feature can be used to operate fan for 90 seconds after “Y” turns off.

### Features (cont.):

- Setup feature allows either “current room temp” or the “current setpoint” to be displayed.
- Optional safety setpoints ensure that heating and cooling will occur even if thermostat is in “Off” mode.
- Backplate wiring for easy installation.

### Specifications:

#### Electrical Rating:

- Input Power: 18 to 30 Vac, 50/60 Hz.

#### Temperature Settings:

- Setpoint Range: 50°F to 90°F [10°C to 32°C].
- The default setpoint for heating is 70°F [21°C] and for cooling is 74°F [23°C]. Press the ▲ or ▼ keys to change the setting. To change between heat and cool settings, press the mode key until the setting to be changed appears.

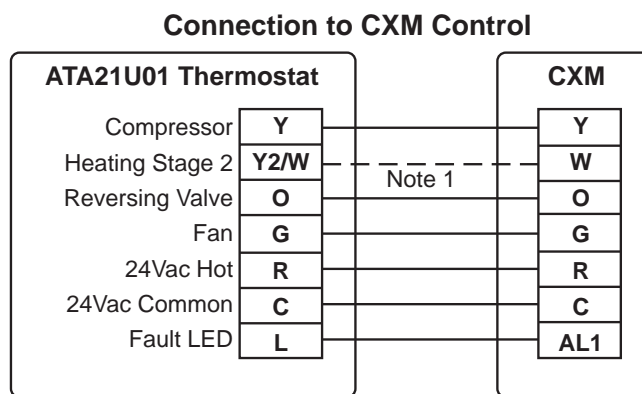
#### Display Range:

- Display Updates: Controlled: updated every 12 seconds.
- Differential (autochangeover model): 3°F [1.5°C] minimum.

#### Output Ratings:

- Maximum current for each output is 1 Amp.

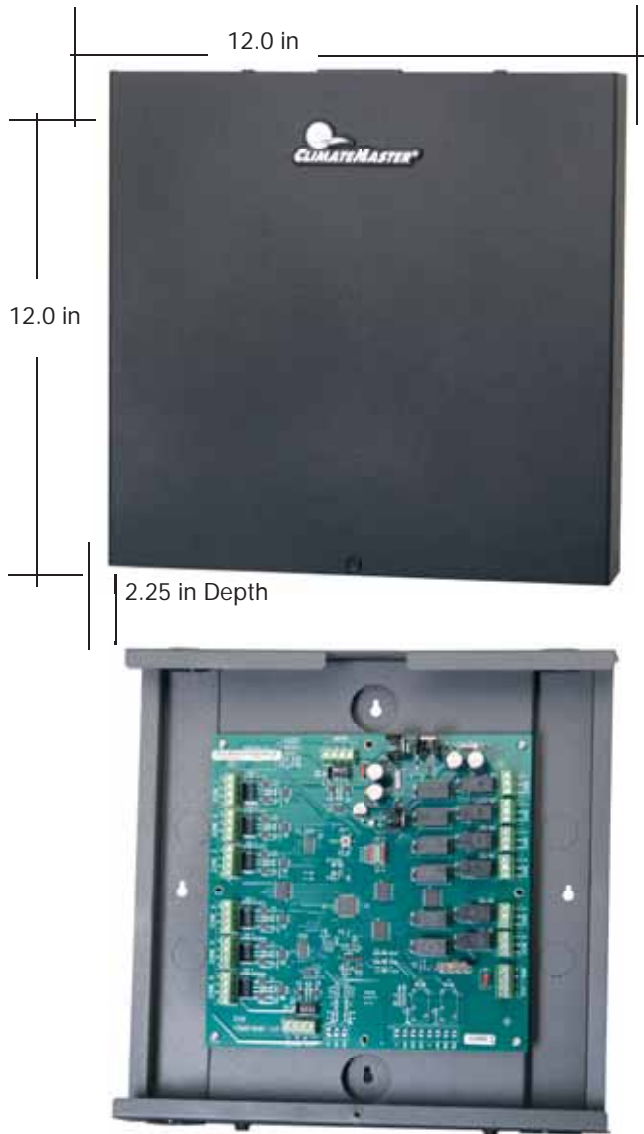
#### Wiring:



Note 1: Optional Connection for Heating Stage 2 operation, Thermostat “Y2” option must be configured as “Y2 - Off”. This configuration uses the compressor only for 1st stage heating and compressor plus auxiliary heat for 2nd stage operation. The thermostat is configured as a two stage heat / one stage cool thermostat for single speed units with PSC fan and backup heat. For two-stage units with backup heat or units with ECM fan and backup heat, a 3 stage heat / 2 stage cool thermostat is required.

# AZC06CAR

iGate® ClimaZone™ Zoning Panel  
Use with Trilogy Only



**Application:**

iGate® ClimaZone™ is the zoning panel for use with the Trilogy Q-mode System and the iGate® Connect Thermostat.

**Features:**

- Designed for use with Trilogy® Q-Mode® System
- Compatible with new and existing Trilogy systems
- Accommodates up to six zones with a single zone panel or up to twelve zones with two zone panels
- Each zone may have up to 3 dampers (Field Supplied)
- iGate® Connect thermostat controls each zone and provides internet-connected communications
- System configuration and diagnostics available via ClimateMaster Trilogy PC Service Tool

**Specifications:**

**Power Supply:**

- Zone Panel: 24 VAC Device powered by the Trilogy Unit
- Zone Dampers & Zone Thermostat: Separate 24 VAC Class 2 18-30 VAC 50/60Hz transformer

**Ambient Temperature/Humidity**

- Operating: -40F to 176F
- Storage: -40F to 185F
- 5% to 95% RH non-condensing

**Zone Thermostats:**

- iGate® Connect thermostat is required for each zone

**Zone Dampers:**

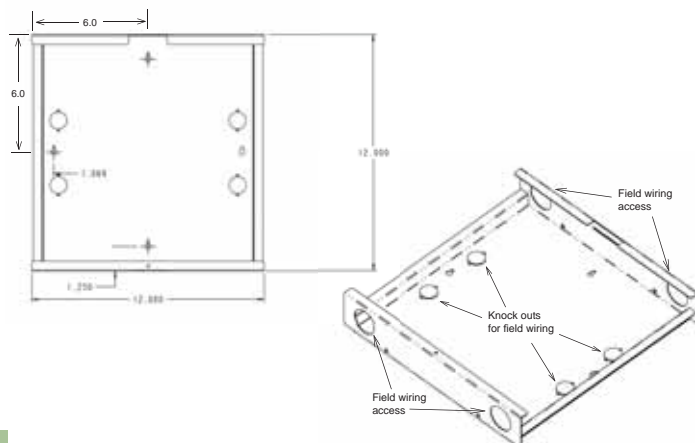
- 24VAC 3-Wire power open/close type dampers required.  
*Field supplied*

**Wiring:**

- Wire Gauge: 18AWG 20AWG 22AWG
- Maximum Total Length: 128ft(38m) 80ft(24m) 50ft(15m)

**Mounting:**

Screw holes provided on enclosure for either wall or stud mounting with installer-supplied fasteners.





## iGate® Smart Tank



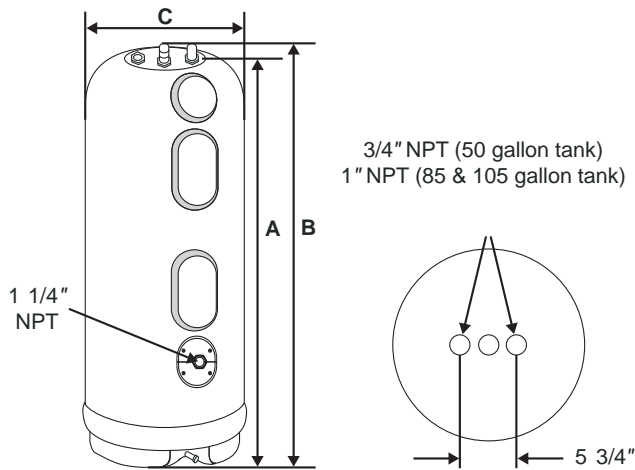
### Application:

iGate® Smart Tank is the geothermal heating and cooling industry's first communicating hot water storage tank.

### Features:

- All titanium elements for long life and superior corrosion resistance
- Water temperature sensors (2) continuously monitor water temperature. When water temperature falls below desired settings, the iGate® communication controls signal the heat pump to generate hot water.
- Polyurethane tank is impervious to rust
- Inlet port for incoming water from the heat pump
- Bowl-shaped bottom for more complete sediment draining
- Full-port ball valve for fast water drainage
- Polyethylene outer jacket
- Well insulated for reduced standby heat loss
- Three capacities: 50 gallon, 85 gallon, 10 gallon
- Watts: 4500

### Specifications:



# Unit Accessories

Item/Description	Part Number	TE, TT, TS Models				TZ Models			TAH Models			
		018	024-030	036-038	042-072	024	030-042	048-060	Auxiliary Electric Heat Model*	026	038	049-064
Internally mounted in vertical cabinets. Externally mounted on horizontal cabinets. Sizes 15-20 kW AGM*A and 4-20 kW AGM*C include internal circuit breaker. ETL listed. Circuit fusing per UL/NEC. Wiring harness connections included in residential units.	AGM4A								AGM4C			
	AGM5A								AGM5C			
	AGM8A								AGM8C			
	AGM10A								AGM10C			
	AGM12A											
	AGL10A								AGL10C			
	AGL15A								AGL15C			
	AGL20A								AGL20C			



Grey area denotes compatibility  
 Note: Horizontal units rated for zero clearance unit and 1" clearance for the first three feet of duct,  
 Vertical units rated for zero clearance for both unit and duct.  
 \* Can be used on corresponding TZ, TE, TS and TT models

Unit Vibration Isolation Pad		TE, TT, TS and TES, TTS Models		TZ Models	
		018-030	036-072	024-030	036-060
High density rubber pad for quiet operation.	AUQSP2732				



Packaged Unit Stand		TE, TT, TS, and TES, TTS Models	
		018-030	036-072
Ideal for areas that must have raised equipment to meet required mechanical codes.	ACSVAMBS		
	ACSVALBS		



Packaged Secondary Horizontal Unit Drain Pan		TE, TT, TS			
		018-030	036-038	042-049	060-072
Designed specifically for Tranquility® Horizontal footprints. Matches the unit for open ceiling applications and to meet mechanical codes.	ASDPADBS				
	ASDPACBS				
	ASDPABBS				
	ASDPAABS				



## Unit Accessories

Pump Slaving Module		
Module w/NEMA enclosure - Allows a single flow controller to be controlled by 2 different units. Eliminates additional field wiring and extra relays.	APSM	For use with TS, TBW & TCW models. Not applicable with Tranquility® Digital units.



SecureStart™ Compressor Soft Start Kit		
Item Description	Part #	Used With Models
Single phase compressors typically have starting inrush currents that range from five to seven times their normal running current. The SecureStart™ module is designed to reduce inrush current to the compressor by up to 75% and prevents lights dimming when the compressor starts up.	13B0045N01	All except QE



Remote Thermostat Sensor		
Item Description	Part #	Used with Models
Outdoor Temperature Sensor	AST008	ATA21U01, ATP, ATC thermostats only

Anti-Scald Valve		
Item Description	Part #	Used With Models
Anti-scald valve be used in DHW systems where HWG setpoint is 150°F	AVAS4	All except QE



Communicating Thermostat Configuration Diagnostic Tool (includes case)		
Item Description	Part #	Used With Models
For use when communicating thermostat is not used.	ACDU02	TE, TZ, TES, TEP



Remote Mount HWG (Desuperheater) Kit for Tranquility® Outdoor		TEP				TTP			
		026	038	049	064	026	038	049	064
*Desuperheater coil, pump & controller, mounted in conditioned space.	AHWG1BASS (115 VAC)								
	AHWG1BGSS (230 VAC)								
	AHWG1AASS (115 VAC)								
	AHU1BASS (230 VAC)								



\*Dealer supplied line set required

## Loop Accessories

### Closed Loop Accessories



AFC4I



AFC4C



AFC6F



AFC4T



AFC5F



Flow Controller  
Double O-Ring Connections

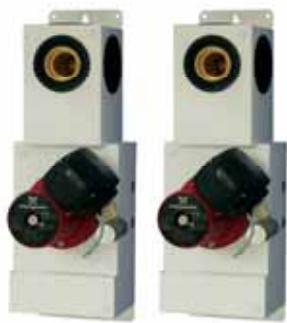


Hose Kit  
AHK5EC



Hose Kit  
AHK5PE

### Extra Large Closed Loop Accessories



AFCG2B3



AFCG2B4

### Open Loop Accessories



Plastic Solenoid  
Valve - AVSP5



Brass Motorized  
Valve - AVMB5



Flow Regulator  
AFRV\*



P/T Plug  
70022002  
& 70022003

## Loop Accessories

Loop Accessories				
Description			Part Number	Accessory Includes
Closed Loop Accessories	Flow Controllers	Composite 3-way valves	AFCG1C1	1-GRUNDFOS UP26-99 PUMP
			AFCG1C2	1-GRUNDFOS UP26-116 PUMP
			AFCG2C1	2-GRUNDFOS UP26-99 PUMP
			AFCG2C2	2-GRUNDFOS UP26-116 PUMP
		Brass 3-way valves	AFCG1B1	1-GRUNDFOS UP26-99 PUMP
			AFCG1B2	1-GRUNDFOS UP26-116 PUMP
			AFCG2B1	2-GRUNDFOS UP26-99 PUMP
			AFCG2B2	2-GRUNDFOS UP26-116 PUMP
	Double O-ring Adaptor fittings, Set of Two (One set Required for All Flow Controllers for Loop Connection)	Fusion	AFC5F	1.00" PE SOCKET FUSION
			AFC6F	1.25" PE SOCKET FUSION
		Insert	AFC4I	1.00" BRASS BARD INSERT
			AFC6I	1.25" BRASS BARD INSERT
		Cam	AFC4C	1.00" CAM LEVER - for flush connections
	Thread	AFC4T	1.00" MPT BRASS THREAD	
	Flow Controller - Hose Kits & Fittings	Hose Kit	AHK5EC	Includes double O-ring x 1.00" barb insert for connection to Flow Controller, 1.00" MPT x 1.00" barb insert el w/PT port for unit connection, & 10' of 1.00" rubber hose.
		Additional Hose	ARH510	10' of 1.00" Rubber Hose
			ARH550	50' of 1.00" Rubber Hose
Elbows with PT Ports	AFCM55F	Set of 1" MPT x 1" FPT Elbows with PT ports		
vFlow Hose Kits	Hose Kit	AHK5PE	Includes(2) 1/4" PT Plugs, (12') 1" ID Black Hose, (8) Stainless steel hose clamps, (2) Elbow, 1" MPT x 1" Hose Barb w/PT Port, (1) Fitting Set (2 Fittings), 1-1/4" PE Fusion x 1" Hose Barb Brass, Crimped, (2) Elbow Insulating Boots w/sealing caps	
Open Loop Accessories	Solenoid & Motorized Valves	AVSP5	1.00" FTP, 24 VAC-Solenoid Valve, Plastic	
		AVMB4	0.75" FTP, 24 VAC-Motorized Valve, Brass w/end switch safety controls	
		AVMB5	1" SWT, 24 VAC- Motorized Valve, Brass w/end switch safety controls	
		AVMB-PH	Powerhead	
	Flow regulators	AFRV*	2 GPM-10 GPM are Brass 0.75" FPT *Specify GPM when ordering. Example 6gpm = AFR6 Call Factory for pricing and availability for larger than 9 gpm-	
	Pressure/Temperature Ports	70022002	Brass 0.25" MPT - Qty.1	
70022003		Brass 0.50" MPT - Qty.1		

## Extra Large Loop Accessories

New Geo Loop Pumps are for larger residential projects or small commercial applications where smaller flow controllers can not deliver desired flow rates. All pumps are 3 speed models for field flow adjustment and are 230 / 1 phase power. GPM and feet of head ratings are at high speed / maximum capacity.

Extra Large Loop Accessories				
Description			Part Number	Accessory Includes
Closed Loop Accessories	Flow Controllers	Brass 3-way valves	AFCG1B3	1-GRUNDFOS UP32-160 PUMP
			AFCG2B3	2-GRUNDFOS UP32-160 PUMP
			AFCG2B4	2-GRUNDFOS UP60-150 PUMP
	Double O-ring Adaptor fittings, Set of Two (One set Required for All Flow Controllers for Loop Connection)	Fusion	AFC7F	2.00" PE SOCKET FUSION
		Cam	AFC7C	1.50" CAM LEVER - for flush connections
		Thread	AFC8T	2.00" FPT BRASS THREAD
	Flow Controller - Hose Kits & Fittings	Hose Kit	AHK8ES	2" Hose Kit w/ Strainer
			AHK8E	2" Hose Kit



## Installation Accessories

Installation Accessories	
Part Number	Description
AFC93	1" MPT x 1" Aluminum Cam Fitting for the Flush Cart
AFCG1PT	Geo-Prime Tank™
AFCG2PT	Pressure Battery Expansion Tank
AGOFL	Geo-Goosier Kit
AFCG1BT	Geo-Booster
AGOFC	Flush Cart
AG1DC	Functional Geo Display Cart for use at trade show and training events. This display is intended only for 2 and 3 ton vertical upflow units with an internal pump. Heat pump not included. This is a drop ship item



**Geo-Prime Tank**

The Geo Prime Tank allows the use of normal pressurized flow controllers as a “non-pressurized” ground loop system. The Prime Tank installs above the normal flow controller and maintains a column of liquid at the pump’s inlet.



**Pressure Battery**

Pressure Battery/Expansion Tank is designed to allow for expansion and contraction of the loop. The tank expands using an internal diaphragm in summer and contracts in the winter to exert/absorb pressure in the loop.



**Geo-Goosier Kit w/Elbows**

Geo Goosier Kit provides an easy means to re-pressurize the loop field by adding liquid into the loop field through a pressure / temperature port without a flush and fill process.



**Geo-Booster**

Geo Booster is designed to maintain a minimum pressure on ground loop systems that uses an antifreeze solution. The internal pump forces fluid into the loop system from a one gallon internal storage tank if static pressure drops below 35 PSI.



**Flush Cart**

Flush Cart is used during initial loop fill and flush procedure to fill the loop and then circulated to remove any air or debris in the loop system.



**Geo Display Cart**

Functional Geo Display Cart for use at trade show and training events. This display is intended only for 2 and 3 ton vertical upflow units with an internal pump. Heat pump not included. This is a drop ship item.

# Geothermal Loop Pipe

**Geothermal Loop Pipe Features:**

- Designed for socket or butt fusion connection
- Internal banding for easy handling and control
- 160 psi
- 50 year warranty
- Coils marked in 2 foot increments
- NSF Geothermal Certification

Material: The material shall maintain a 160 psi Hydrostatic Design Basis at 73.4°F per ASTM D-2837. This material shall be a high density, polyethylene 3408 having a cell classification of PE345434C as specified in ASTM D-3350. ClimateMaster acknowledges Solvay Polymers, Inc., Houston, TX, as the primary supplier of high density polyethylene resin (K44-15-23) specifically for this use.

Specifications for ClimateMaster Geothermal Loop Pipe & Fittings

General: All pipe and heat fused materials are manufactured from a virgin, high density, polyethylene 3408 material manufactured in accordance with ASTM D-2513 sections 4.1 and 4.2. Pipe shall be manufactured to outside diameters, wall thickness, and respective tolerances as specified in ASTM D-3035, D-2447 or F-714.



U-Bend Coils



Spaced Pond Loop Coils



100' Pipe Bundle

Geothermal Loop Pipe					
Part Number	Pipe Diameter	Pipe Length	Package Type	Pipe Type	Coils Per Pallet
GP4L100	0.75" IPS	100	Bundle 5x20'	SDR11	N/A
GP4C200	0.75" IPS	200	Coil	SDR11	13
GP4C300	0.75" IPS	300	Coil	SDR11	10
GP4C500	0.75" IPS	500	Coil	SDR11	8
GP4C600	0.75" IPS	600	Coil	SDR11	8
GP4C800	0.75" IPS	800	Coil	SDR11	8
GP5L100	1.00" IPS	100	Bundle 5x20'	SDR11	N/A
GP5C300	1.00" IPS	300	Coil	SDR11	10
GP5C500	1.00" IPS	500	Coil	SDR11	6
GP6L100	1.25" IPS	100	Bundle-5x 20'	SDR11	N/A
GP6C100	1.25" IPS	100	Coil	SDR11	14
GP6C300	1.25" IPS	300	Coil	SDR11	14
GP8L100	2.00" IPS	100	Bundle-5x20'	SDR11	N/A
GP8C100	2.00" IPS	100	Coil	SDR11	10
GP8C300	2.00" IPS	300	Coil	SDR11	7
Coils with U-Bend Attached					
GP4C350U	0.75" IPS	350	2-175' Coils	SDR11	12
GP4C410U	0.75" IPS	410	2-205' Coils	SDR11	10
GP4C510U	0.75" IPS	510	2-255' Coils	SDR11	8
GP5C410U	1.00" IPS	410	2-205' Coils	SDR11	8
GP5C510U	1.00" IPS	510	2-255' Coils	SDR11	8
GP5C610U	1.00" IPS	610	2-305' Coils	SDR11	8
GP5C710U	1.00" IPS	710	2-355' Coils	SDR11	8
GP5C810U	1.00" IPS	810	2-405' Coils	SDR11	8
Spaced Pond Loop Coil					
GP4S300	0.75" IPS	300	Coil	SDR11	5

## Geothermal Fittings

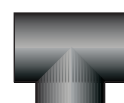
Part Number	Description	Box Quantity
<b>Fusion Coupling</b>		
GFC44	0.75" x 0.75"	120
GFC55	1.00" x 1.00"	80
GFC64	1.25" x 0.75"	50
GFC65	1.25" x 1.00"	50
GFC66	1.25" x 1.25"	40
GFC85	2.00" x 1.00"	30
GFC86	2.00" x 1.25"	30
GFC88	2.00" x 2.00"	30
<b>Fusion Elbow 90 degrees</b>		
GFE44	0.75" x 0.75"	70
GFE54	1.00" x 0.75"	50
GFE55	1.00" x 1.00"	50
GFE64	1.25" x 0.75"	100
GFE66	1.25" x 1.25"	90
GFE88	2.00" x 2.00"	30
<b>Fusion Tee</b>		
GFT444	0.75" x 0.75" x 0.75"	75
GFT555	1.00" x 1.00" x 1.00"	50
GFT644	1.25" x 0.75" x 0.75"	70
GFT655	1.25" x 1.00" x 1.00"	60
GFT664	1.25" x 1.25" x 0.75"	60
GFT665	1.25" x 1.25" x 1.00"	60
GFT884	2.00" x 2.00" x 0.75"	25
GFT885	2.00" x 2.00" x 1.00"	25
GFT888	2.00" x 2.00" x 2.00"	25
<b>Fusion U-Bend Fitting</b>		
GFEU44	0.75" x 0.75" Street el	120
GFEU55	1.00" x 1.00" Street el	200
GFEU66F	1.25" x 1.25" Short female	90
GFEU66M	1.25" x 1.25" Short male	90
GFU44	0.75" U-Bend Bullet	1
GFU55	1.00" U-Bend Bullet	1
GFU66	1.25" U-Bend Bullet	1
<b>Fusion Cap</b>		
GFCP4	0.75"	160
GFCP5	1.00"	160
GFCP6	1.25"	100
GFCP8	2.00"	30
<b>Fusion Header - Pre Assembled</b>		
GFK644K02	1.25" Inlet x (3) 0.75" Outlets	15
GFK644K03	1.25" Inlet x (4) 0.75" Outlets	20
GFK644K04	1.25" Inlet x (5) 0.75" Outlets	20
GFK644K05	1.25" Inlet x (6) 0.75" Outlets	20



Coupling



Elbow



Tee



U-Bend Fitting



Cap



Bullet Fitting



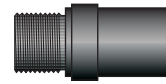
Header

## Geothermal Fittings

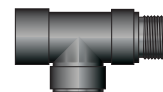
Part Number	Description	Box Quantity
<b>Fusion X Male Nominal Thread X FPT</b>		
GFMT453	0.75" x 1.00" MNT x 0.50" FPT	40
GFMT553	1.00" x 1.00" MNT x 0.50" FPT	50
<b>Fusion X Male Swivel Adapter - For use w/90B0001N02</b>		
GFMC56S	1.00" Fusion x 1.25" Brass Swivel NPT	30
GFMC66S	1.25" Fusion x 1.25" Brass Swivel NPT	20
<b>Fusion X Male Adapter</b>		
GFMA44	0.75" x 0.75" MPT Brass	30
GFMA55	1.00" x 1.00" MPT Brass	20
GFMA65	1.25" x 1.00" MPT Brass	25
GFMA66	1.25" x 1.25" MPT Brass	30
GFMA88	2.00" x 2.00" MPT Brass	30
<b>Fusion Adaptor, Hose Barb</b>		
GFFA65H	1.25" Socket Fusion x 1" Hose Barb	30



Swivel Adaptor



Male Adaptor

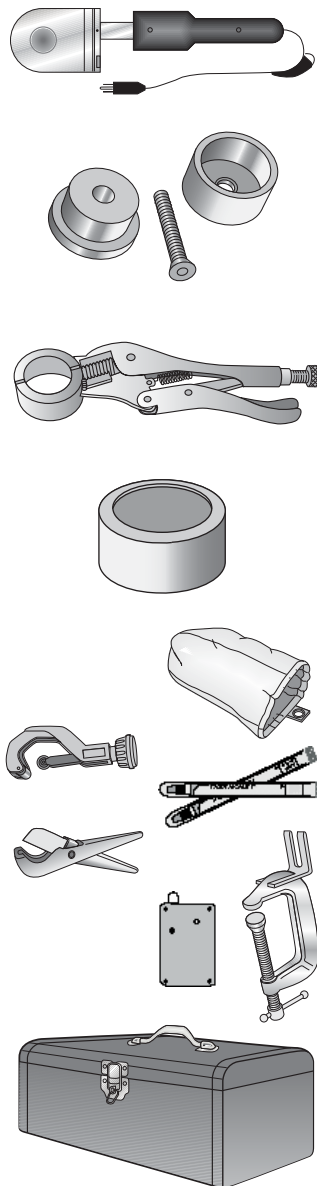


Male Adaptor Tee

## Socket Fusion Tools

Socket Fusion Tools	
Part Number	Description
<b>Heating Tool</b>	
HVTD48	Fusion Tool, Double Socket Face
<b>Socket Face</b>	
HSF4P	0.75" IPS
HSF5P	1.00" IPS
HSF6P	1.25" IPS
HSF8P	2.00" IPS
<b>Cold Ring</b>	
HCR4P	0.75" IPS
HCR5P	1.00" IPS
HCR6P	1.25" IPS
HCR8P	2.00" IPS
<b>Combo Depth Gauge and Chamfer Tool</b>	
HDC4P	0.75" IPS
HDC5P	1.00" IPS
HDC6P	1.25" IPS
HDC8P	2.00" IPS
<b>Fusion Tool Accessories</b>	
HMB	Fusion Tool Mounting Bracket
HFT	Fusion Timer
HHB	Fusion Tool Cover
HS500	Tempstik 500°F
HS525	Tempstik 525°F
<b>Complete Fusion Kits</b>	
HHAK46WDP	0.75" & 1.25" IPS - Double
HHAK468WDP	0.75", 1.00", 1.25" & 2.00" IPS - Double

Kits Include: Heating tool, socket face set, depth gauge, cold rings, hex keys, tubing cutter, screwdriver, tempsticks, timer, tool bag cover, cotton wipe bag.

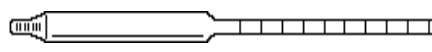


## Service Tools

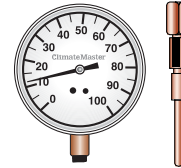
Item	Part Number	Description
Temperature Measurement	ADT160	Digital Thermometer for use with P/T Ports
Pressure Measurement	APG100	Pressure Gauge, 0-100 psi
Gauge Probe Adapter	APTGA	P/T Port Adapter for use with APG100
Alcohol Antifreeze Tester (.9-1)	AHYDA	Specific Gravity Hydrometer
Glycol Antifreeze Tester (1-1.07)	AHYDG	Specific Gravity Hydrometer
Water Pressure Gauge	AG1PG	Water Pressure Gauge for use with Digital units
Control Checker	ATS007	Monitor/checks safety controls
AC Magnetic Field Indicator	AACMFI	Check pump operation



Digital Thermometer



Antifreeze Tester



Pressure Gauge and Adapter

## Service Parts Kit

Item	Part Number	Description
Residential Service Parts Kit	ASPK	Designed to provide inexpensive parts for dealers. Contains emergency installation and service parts for Residential units and Flow Controllers.
Residential Service Parts Kit	ASPK1	ASPK plus DXM2 and related harnesses
Residential Service Parts Kit	ASPK2	ASPK plus DXM2 and related harnesses plus ACDU02
Residential Service Parts Kit	ASPK3	Service tool kit for Trilogy® (QE)

## Cabinet Samples

Part Number	Description
SAMPLECABTZV036	Low cost, lightweight display unit to take to home shows, county fairs, or for use in a showroom.
SAMPLECABTEV038	
SAMPLECABTTV026	
SAMPLECABTTV049	
SAMPLECABTBW060	



Cabinet Sample



**MERV 11 Replacement Filters**

TEH, TTH & TSH - Horizontal Units			TEV/D, TTV/D & TSV/D - Vertical Units		
018 - 030	2 - 18 x 18	76B0005N01	018	1 - 24 x 24	76B0005N08
036 - 038	1 - 12 x 20	76B0005N02	024 - 030	1 - 24 x 28	76B0005N14
	1 - 20 x 25	76B0005N09	036 - 038	1 - 28 x 30	76B0005N15
042 - 049	1 - 18 x 20	76B0005N04	042 - 049	1 - 30 x 32	76B0005N19
	1 - 20 x 24	76B0005N07	060 - 072	1 - 30 x 36	76B0005N20
060 - 072	2 - 20 x 24	76B0005N07			

**MERV 8 Replacement Filters**

TZH - Horizontal Units			TZV - Vertical Units		
024 - 030	1 - 18 x 24	76B0015N07	024 - 030	1 - 20 x 20	76B0015N01
036 - 042	1 - 14 x 20	76B0015N05 Qty 2	036 - 042	1 - 24 x 24	76B0015N02
048 - 060	1 - 20 x 38	76B0015N06 and 76B0015N05	048 - 060	1 - 28 x 28	76B0015N03

These are nominal sizes: actual sizes are slightly smaller.

## Revision History

Date	Page #	Description
03 Nov, 17	Various	Updated to ATC32U03
02 Nov., 17	16	Removed unit Vibration Isolation Pads AUQSP2424, AUQSSP2477
03 Feb., 16	Various	iGate ClimaZone Added
01 Sept., 15	4	Updated Water-to-Water Section of Table
08 June, 15	3	Updated IAQ Filter Photo
03 Oct., 14	All	Updated
20 Feb. 13	All	Updated
16 July 12	553-554	ATC32U01 Added
28 May, 10	558	New Rev. C Auxiliary/Emergency Heaters Added
12 May, 09	556, ATP32U04 Page	New Thermostat Model Added
05 June, 08	All	Reformatted Document Size
04 Mar, 07	560	Changed Part Number and Description for Outdoor Split Flow Controller Transition Fittings
04 Mar, 07	561	Discontinued 90B0001N02 Fitting
01 Oct, 06	All	First Published



RP1008



7300 S.W. 44th Street  
 Oklahoma City, OK 73179  
 Phone: 405-745-6000  
 Fax: 405-745-6058  
 climatemaster.com

ClimateMaster works continually to improve its products. As a result, the design and specifications of each product at the time for order may be changed without notice and may not be as described herein. Please contact ClimateMaster's Customer Service Department at 1-405-745-6000 for specific information on the current design and specifications. Statements and other information contained herein are not express warranties and do not form the basis of any bargain between the parties, but are merely ClimateMaster's opinion or commendation of its products.