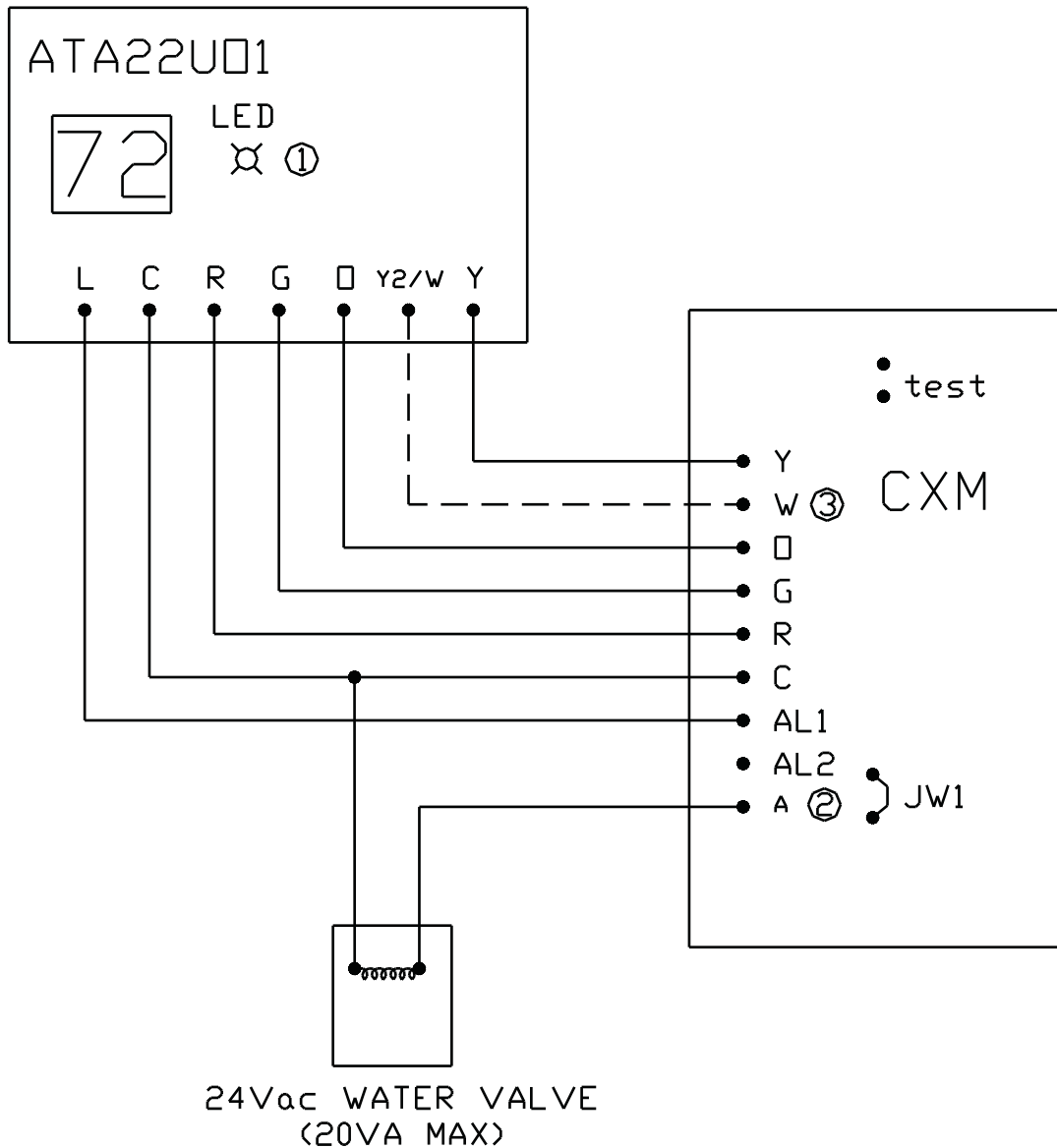


Standard CXM with Thermostat

Standard CXM With Thermostat



Notes

- 1) LED on thermostat used for lockout signal and Lockout type (HP=code2. LP=code3. etc...)
- 2) "A" output can be used for any 24Vac load (20VA max).
- 3) Use W input for Electrical Heat.