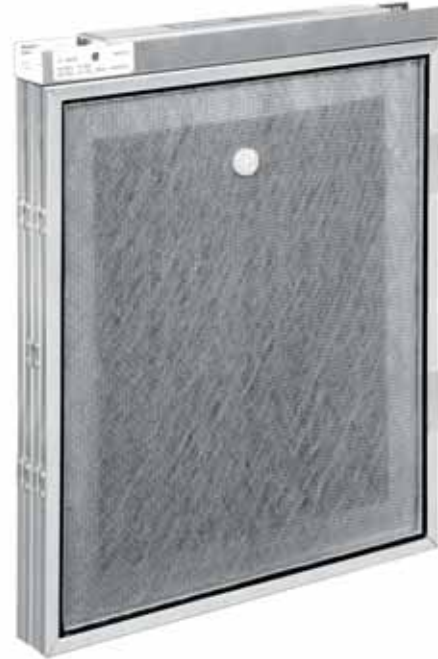




2" Polarized-Media Electronic Air Cleaner

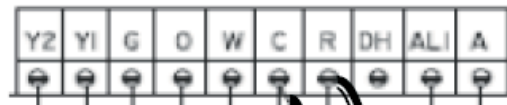
Installation Instructions & Consumer Information



Section I. Installation Instructions

- 1) Turn the thermostat fan switch to the "OFF" position.
- 2) Turn off power to the heating and cooling system.
- 3) Remove the existing filter from the heating and cooling system or return air grille.
- 4) Wiring to the on-board transformer or terminal board:

If there is a terminal strip such as the one shown below, connect the black wire of the power cord to the "Common" terminal (typically the "C" terminal) and the black wire with the white stripe to the "Hot" 24vac terminal (typically the "R" terminal). Output from the 24vac transformer may vary due to local line voltage fluctuations. Outputs of up to 28vac are acceptable.



Black
Wire

Black With
White Stripe

NOTE: ONLY A QUALIFIED ELECTRICIAN SHOULD PERFORM ELECTRICAL WIRING

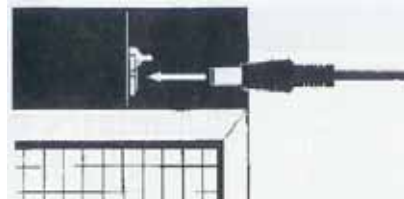
If the terminals are unmarked, or to confirm the markings, use a voltmeter to find the Common and "Hot" 24vac terminals:

- a. Turn off the power to the heating and cooling system and the transformer.
- b. With the voltmeter set to "Continuity", check for continuity between each terminal and the metal frame of the heating and cooling system. Choose a spot on the heating and cooling system such as a screw or unpainted edge, where a good electrical contact can be found.
- c. If continuity is found between one of the terminals and the heating and cooling system, that terminal will be the Common terminal.
- d. With the power on to the transformer, use the voltmeter to locate the 24vac terminal.

If a Common or 24vac terminal cannot be located, it will be necessary to install a separate transformer. If a hard-wired transformer is used, an isolated class II transformer is recommended. The transformer must be installed according to local codes and ordinances.

- 5) Route the power cord through the air handler cabinet to the filter rack area. The cord should be run so that it is not crimped or abraded and should have enough slack to allow the air cleaner to be easily removed for routine maintenance. Position the power cord away from the blower and other moving parts. If an existing access hole is not available, the 1-1/8" electrical knock-outs adjacent to the filter rack can be used. Two grommets are provided to fit 1-1/8" knock-out openings.
- 6) Slide the air cleaner into the filter rack with the power supply nearest the power cord, taking care to slide the air cleaner between rivets on the inside of the filter rack frame.
- 7) Plug the power cord into the air cleaner and position securely in place (fig 2).

Figure 2



- 8) Turn on the power to the air handler. The power indicator light on the air cleaner should illuminate.
- 9) Apply the foam strip provided to the inside of the filter access door in order to prevent air bypass.
- 10) Close the filter access door.
- 11) Turn the thermostat fan switch to the "ON" position.
- 12) Affix the electrical caution sticker and adhesive-backed media pad replacement record in a prominent location near the air cleaner.

NOTE: For maximum air cleaning efficiency and optimum comfort, the air handler blower should be run continuously with the fan switch in the "ON" position rather than in the "AUTO" position.

Section III. Maintenance and Media Pad Replacement

Replacement Media Pads are available from your heating and air conditioning contractor.

WARNING: WHENEVER INSTALLING OR REMOVING THE AIR CLEANER, THE POWER TO THE HEATING AND COOLING SYSTEM MUST BE TURNED OFF. CARE SHOULD BE TAKEN NOT TO LET THE JACK TOUCH ANY GROUNDED OR METAL SURFACES. ALTHOUGH THE JACK IS SHIELDED, IT IS POSSIBLE FOR THE CENTRAL POWER INSERT TO CONTACT GROUND WHICH COULD RESULT IN DAMAGE TO THE TRANSFORMER OR ELECTRONICS.

- 1) Turn the thermostat fan switch to the "OFF" position.
- 2) Turn off power to the heating and cooling system.
- 3) Open the filter access door or grille.
- 4) Unplug the power supply cord from the air cleaner powerhead.
- 5) Remove the air cleaner from the filter rack or return air grille.
- 6) Open the air cleaner (fig 3), remove the old media pads and discard.
- 7) If dust has accumulated on the outer screen of the air cleaner, clean with a dry brush or vacuum.
- 8) Position the new replacement media pads so that they are centered within the air cleaner frames. The media pads operate with airflow in either direction.
- 9) Close and re-latch the air cleaner.
- 10) Return the air cleaner to its location in the heating and cooling system or return air grille.
- 11) Plug the power supply cord into the air cleaner once it is securely in place (fig 4).
- 12) Close the filter access door or grille.
- 13) Switch the thermostat back to the "ON" position. For optimum results, the heating and cooling system should be run continuously with the fan switch in the "ON" position, rather than the "AUTO" position.
- 14) Because of variations in humidity and temperature, the new media pads may make a slight snapping sound when first installed. This is normal and should stop within 24 hours of operation.



Figure 3

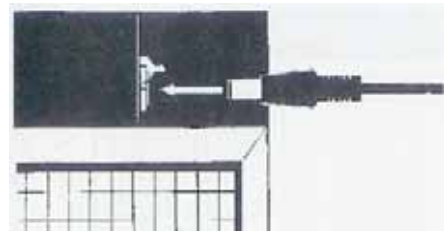


Figure 4

NOTE: Media pads should generally last 3 to 6 months, depending on conditions within the space. In a new installation, however, it is suggested that the media pad be inspected and/or replaced after one month of operation due to the initial cleanup of contaminants. Always change the front (upstream) media pad and inspect the back (downstream) media pad. It may be sufficient to move the back media pad to the front and only replace the back media pad with a new media pad.

WARNING: FAILURE TO CHANGE THE MEDIA PAD ON A REGULAR BASIS COULD REDUCE AIRFLOW AND CAUSE DAMAGE TO THE HEATING AND COOLING SYSTEM.

Section IV. Replacement Parts

- 1) Maintenance is limited to periodic replacement of the air cleaner media pads. This is typically done every 3 to 6 months.
- 2) Use only genuine EarthPure Replacement Media Pads from your ClimateMaster dealer. For a dealer near you, visit cmdealernet.com.
- 3) Have the model number or unit size available when calling. Refer to the size label on the unit (item 12 in figure 5) for the unit size. Air cleaner media pads are sized according to the size of the overall air cleaner and NOT the size of the media pad itself. When giving dimensions, always give the length of the powerhead side first.

Item	Description
1	Replacement Media Pad
2	Powerhead (inside channel)
3	Power Cord
4	Electrode Insulator Button
5	Air Cleaner Latch
6	Power ON Light
7	Label "Unplug before Opening"
8	Power Input Jack
9	Label
10	Electrode
11	Model / Power Rating Label
12	Air Cleaner Size Label
13	Patent Label
14	Hinge
15	Screen
16	Frame
17	Spline

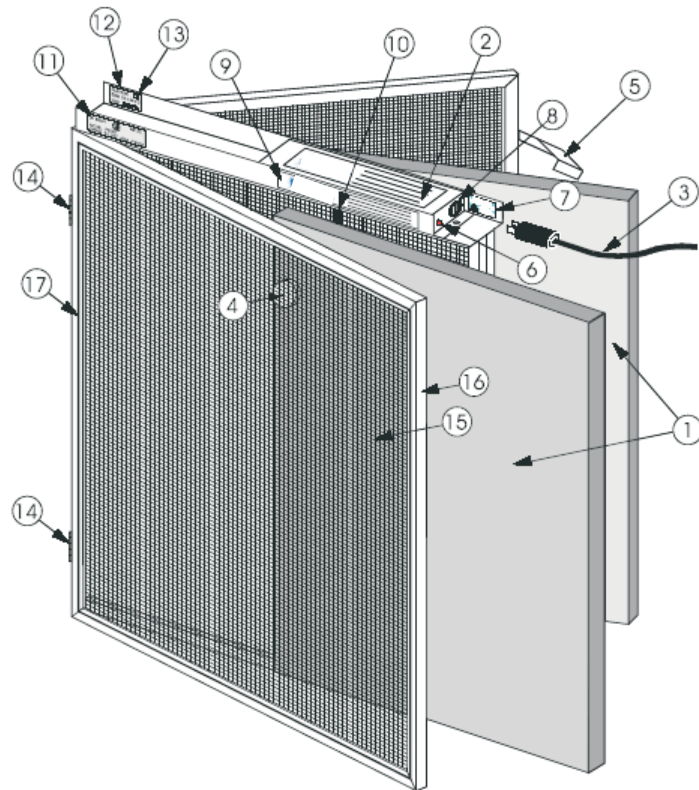


Figure 5

**FOR TECHNICAL SUPPORT
Call 1-800-578-7873**



ClimateMaster Inc.
7300 SW 44th Street
Oklahoma City, OK 73179
Tel: (405) 745-6000
climatemaster.com
cmdealernet.com

Specifications are subject
to change without notice.

©2010 Environmental Dynamics Group

CM-114 (02/11)