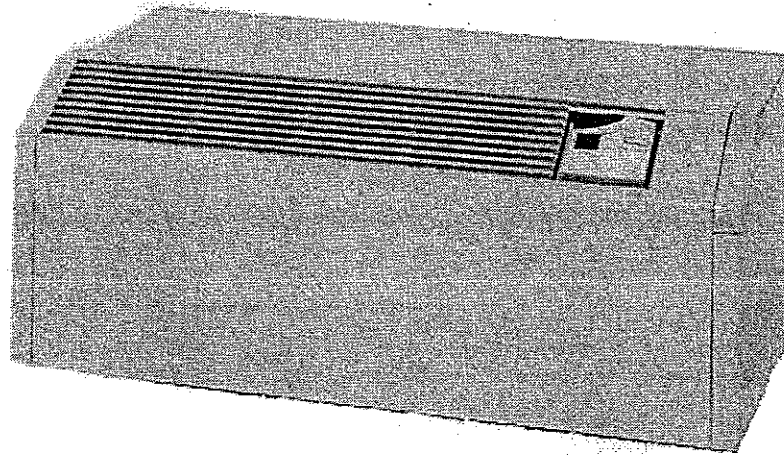


SUBMITTAL DATA

SERIES PTA / PTP / PTH PACKAGE TERMINAL UNITS

Air Conditioners/Heat Pumps
Electric Heat/Hydronic Heat



RoomMate[®]

Your Partner In Comfort

Job Name _____
Architect _____
Engineer _____
Contractor _____
Location _____
Submitted by _____
Approved By _____

CERTIFICATION
DIMENSIONS, SPECIFICATIONS, AND PERFORMANCE
AS INDICATED ON THIS SUBMITTAL ARE CERTIFIED
CORRECT.

Company Name _____
Location _____
By _____ Date _____

APPROVALS:



LC109
LC109

acp works continually to improve its products. As a result, the design and specifications of each product at the time of order may be changed without notice and may not be as described herein. Please contact acp's Customer Service Department at 1-405-416-3100 for specific information on the current design and specifications. Statements and other information contained herein are not express warranties and do not form the basis of any bargain between the parties, but are merely acp's opinion or commendation of its products.

Rev.: 11/99

Page 1 of 25

RoomMate®

PTP/PTA/PTH Performance Data

MODEL	07A		07G		07E		09A		09G		09E		12A		12G		12E		15G		15E			
	07A	07G	07E	09A	09G	09E	12A	12G	12E	15G	15E	07A	07G	07E	09A	09G	09E	12A	12G	12E	15G	15E		
Voltage, single phase, 60 hertz	115	208/230	265	115	208/230	265	115	208/230	265	115	208/230	265	115	208/230	265	115	208/230	265	115	208/230	265	115	208/230	
STANDARD RATING																								
Total Cooling (BTUH) (1)	7200	7200	7200	9800	8500/8800	8800	11400	11100/11400	11400	14100/14500	14400	7200	7200	7200	9800	8500/8800	8800	11400	11100/11400	11400	14100/14500	14400	7200	
Watts	710	695/710	710	925	895/925	925	1175	1145/1175	1175	1567/1611	1600	710	695/710	710	925	895/925	925	1175	1145/1175	1175	1567/1611	1600	710	
EER (BTUH/WATT) (1)	10.2	10.2	10.2	9.5	9.5	9.5	9.7	9.7	9.7	9.0	9.0	10.2	10.2	10.2	9.5	9.5	9.5	9.7	9.7	9.7	9.0	9.0	10.2	
Compressor Running Load Amps	6.1	3.1/3.0	2.6	7.4	3.9/3.8	3.3	9.7	4.9/4.8	4.2	6.6/6.4	5.4	6.1	3.1/3.0	2.6	7.4	3.9/3.8	3.3	9.7	4.9/4.8	4.2	6.6/6.4	5.4	6.1	
Compressor Locked Rotor Amps	36.2	17.7	15.0	44.0	20.0	18.6	54.0	26.3	28.0	38.0	32.0	36.2	17.7	15.0	44.0	20.0	18.6	54.0	26.3	28.0	38.0	32.0	36.2	
Power Factor %	98	98	98	98	98	98	97	97	97	97	97	98	98	98	98	98	98	97	97	97	97	97	98	
Sensible/Total Heat Ratio	0.78	0.78	0.78	0.69	0.69	0.69	0.65	0.65	0.65	0.67	0.67	0.78	0.78	0.78	0.69	0.69	0.69	0.65	0.65	0.65	0.67	0.67	0.78	
Charge R-22 (Oz.)	25	25	25	25	25	25	33	33	33	34.5	34.5	25	25	25	25	25	25	33	33	33	34.5	34.5	25	
LOW TEMPERATURE RATING																								
EER (BTUH/WATT) (2)	10.8	10.8/10.8	10.8	10.0	10.0/10.0	10.0	10.2	10.2/10.2	10.2	9.6/9.6	9.6	10.8	10.8/10.8	10.8	10.0	10.0/10.0	10.0	10.2	10.2/10.2	10.2	9.6/9.6	9.6	10.8	
INDOOR (CFM)																								
High Speed (Wet Coil)	250	225/250	250	250	225/250	250	320	295/320	320	340/370	370	250	225/250	250	225/250	250	320	295/320	320	340/370	370	250	225/250	
Low Speed (Wet Coil)	180	160/180	180	180	160/180	180	250	225/250	250	225/250	250	180	160/180	180	160/180	180	250	225/250	250	225/250	250	180	160/180	
High Speed (Dry Coil)	265	240/265	265	265	240/265	265	345	320/345	345	370/400	345	265	240/265	265	240/265	265	345	320/345	345	370/400	345	265	240/265	
Low Speed (Dry Coil)	190	170/190	190	190	170/190	190	270	250/270	270	250/270	270	190	170/190	190	170/190	190	270	250/270	270	250/270	270	190	170/190	
Fresh Air (CFM) (3)	60	60	60	60	60	60	65	65	65	65	65	60	60	60	60	60	65	65	65	65	65	60	60	
HEAT PUMP HEAT																								
Heating Capacity (BTUH) (4)	6400	6400	6400	8200	8000/8200	8200	10300	10000/10300	10300	12600/13000	13000	6400	6400	6400	8200	8000/8200	8200	10300	10000/10300	10300	12600/13000	13000	6400	
Watts	650	630/650	650	860	840/860	860	1190	1160/1190	1190	1475/1515	1515	650	630/650	650	860	840/860	860	1190	1160/1190	1190	1475/1515	1515	650	
COP (4)	3.0	3.0	3.0	2.8	2.8/2.8	2.8	2.8	2.8/2.8	2.8	2.8/2.8	2.8	3.0	3.0	3.0	2.8	2.8/2.8	2.8	2.8	2.8/2.8	2.8	2.8/2.8	2.8	3.0	
Compressor Running Load Amps	6.1	3.1/3.0	2.65	7.4	3.9/3.8	3.3	9.7	4.9/4.8	4.2	6.6/6.4	5.4	6.1	3.1/3.0	2.65	7.4	3.9/3.8	3.3	9.7	4.9/4.8	4.2	6.6/6.4	5.4	6.1	
Compressor Locked Rotor Amps	36.2	17.7	15.0	44.0	20.0	18.6	54.0	26.3	28.0	38.0	32.0	36.2	17.7	15.0	44.0	20.0	18.6	54.0	26.3	28.0	38.0	32.0	36.2	
Power Factor %	98	98	98	98	98	98	97	97	97	97	97	98	98	98	98	98	98	97	97	97	97	97	98	
TAG																								
Quantity																								

- Rated in accordance with ARI standard 310-90 and 380-90 at 95°F (35°C) db/75°F (24°C) wb OUTDOORS and 80°F (27°C) db/67°F (19°C) wb INDOORS.
- Rated at 82°F (28°C) db/65°F (18°C) wb OUTDOORS and 80°F (27°C) db/67°F (19°C) wb INDOORS.
- Fresh air CFM with clean vent screen and indoor fan motor operating at high RPM. Does not account for the effects of positive building pressurizations, negative "stack effect", or the effects of the wind.
- Rated in accordance with ARI standard 380-90 at 47°F (8°C) db/43°F (6°C) wb OUTDOORS and 70°F (21°C) db/60°F (15°C) wb INDOORS.

acp works continually to improve products. As a result, the design and specifications of each product at the time of order may be changed without notice and may not be as described herein. Please contact acp's Customer Service Department at 1-405-416-3100 for specific information on the current design and specifications. Statements and other information contained herein are not express warranties and do not form the basis of any bargain between parties, but are merely acp's opinion or commendation of its products.

RoomMate®

PTA / PTP Electric Heat Performance Data

MODEL	07A	07G	07E	09A	09G	09E	12A	12G	12E	15G	15E
Voltage, single phase, 60 hertz	115	208/230	265	115	208/230	265	115	208/230	265	208/230	265
STANDARD RATING											
Heat #1 Watts (G); Heat #4 Watts (E)		2100/2500	2500		2100/2500	2500		2100/2500	2500	2100/2500	2500
Amps		10.5/11.2	9.9		10.5/11.2	9.9		10.8/11.5	10.0	10.8/11.5	10.0
Minimum Circuit Amps		14	12.2		14	12.2		14.2	12.3	14.2	12.3
Time Delay Fuse or HACR ckt brkr (1)		15	15		15	15		15	15	15	15
NEMA Plug/Cord Type (2)		6-15P			6-15P			6-15P		6-15P	
Heat #2 Watts (G); Heat #5 (E)		2800/3400	3400		2800/3400	3400		2800/3400	3400	2800/3400	3400
Amps		13.9/15.2	13.3		13.9/15.2	13.3		14.1/15.4	13.4	14.1/15.4	13.4
Minimum Circuit Amps		19	16.5		19	16.5		19.1	16.6	19.1	16.6
Time Delay Fuse or HACR ckt brkr (1)		20	20		20	20		20	20	20	20
NEMA Plug/Cord Type (2)			6-20P			6-20P			6-20P		6-20P
Heat #3 Watts (G); Heat #6 (E)								3900/4800	4800	3900/4800	4800
Amps								19.4/21.5	18.7	19.4/21.5	18.7
Minimum Circuit Amps								26.7	23.2	26.7	23.2
Time Delay Fuse or HACR ckt brkr (1)								30	30	30	30
NEMA Plug/Cord Type								6-30P		6-30P	
TAG											
HEAT#											
QUANTITY											
TAG											
HEAT#											
QUANTITY											
TAG											
HEAT#											
QUANTITY											

1. Circuit Breaker may not be permitted by local electrical codes.
2. Plug/Cord provided on chassis unless permanently connected. 20 amp plug/cord may be substituted and used on 15 amp circuit if permitted by local codes and circuit is protected for 15 amps.

acp works continually to improve products. As a result, the design and specifications of each product at the time of order may be changed without notice and may not be as described herein. Please contact acp's Customer Service Department at 1-402-476-3100 for specific information on the current design and specifications. Statements and other information contained herein are not express warranties and do not form the basis of any bargain between parties, but are merely acp's opinion or commendation on its products.

RoomMate®

PTH Performance Data

MODEL	07A	07G	07E	09A	09G	09E	12A	12G	12E	15G	15E
Voltage, single phase, 60 hertz	115	208/230	265	115	208/230	265	115	208/230	265	208/230	265
STANDARD RATING											
Watts	90	90/90	88	90	90/90	88	112	112/112	111	134/134	134
Amps	0.8	0.41/0.40	0.34	0.8	0.41/0.40	0.34	1.0	0.51/0.50	0.43	0.61/0.60	0.52
Minimum Circuit Amps	8.5	4.5	3.9	10.6	5.8	5.0	15.2	7.6	7.6	9.4	9.4
Time Delay Fuse or HACR ckt brkr (2)	15	15	15	15	15	15	20	15	15	15	15
NEMA Plug/Cord Type (3)	5-15P	6-15P		5-15P	6-15P		5-20P	6-15P		6-15P	
HOT WATER (BTUH)											
High Heating	17000	16200/17000	17000	17000	16200/17000	17000	18900	18000/18900	18900	18000/18900	18900
Low Heating	12300	11700/12300	12300	12300	11700/12300	12300	13600	13000/13600	13600	13000/13600	13600
STEAM (BTUH)											
High Heating	21600	20500/21600	21600	21600	20500/21600	21600	23400	22200/23400	23400	22200/23400	23400
Low Heating	15600	14800/15600	15600	15600	14800/15600	15600	16900	16000/16900	16900	16000/16900	16900
TAG											
(S) STEAM (H) HOT WATER											
QUANTITY											
TAG											
(S) STEAM (H) HOT WATER											
QUANTITY											

- Rated in accordance with ARI standard 380-90 at 70°F (21°C) db entering air; 200°F (93°C) entering water and 180°F (82°C) leaving water; or 2 PSIG saturated steam. To correct hot water capacities to 65°F (18°C) entering air, multiply by 1.04. To correct hot water capacities to 1.0 GPM and 65°F/18°C entering air, multiply by 0.91 (7.9) or 8.8 (12.15). Convective capacity is approx. 10% of high heating capacity.
- Circuit breakers may not be permitted by local electrical codes. All 265V chassis have factory installed time delay fuse in control panel. CSA circuit breaker amp rating same as that listed for HACR circuit breakers.
- All 265V chassis must be permanently connected. Plug/cord provided on chassis permanently connected or used with PHS Hydronic Subbase.

acp works continually to improve products. As a result, the design and specifications of each product at the time of order may be changed without notice and may not be as described herein. Please contact acp's Customer Service Department at 1-405-416-3100 for specific information on the current design specifications. Statements and other information contained herein are not express warranties and do not form the basis of any bargain between parties, but are merely acp's opinion or commendation of its products.

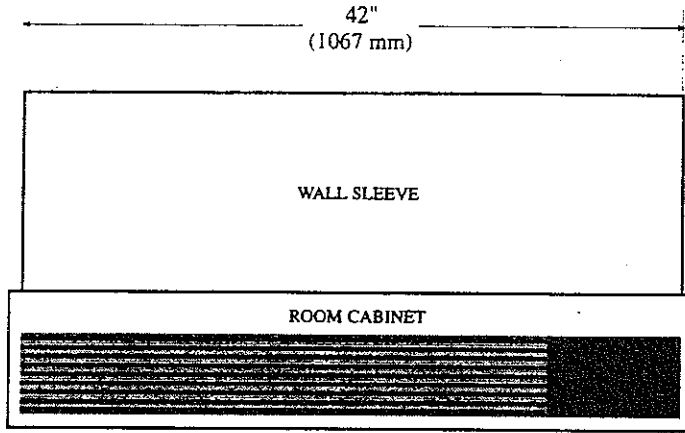
PERFORMANCE DATA

Dimensions PTA/PTP

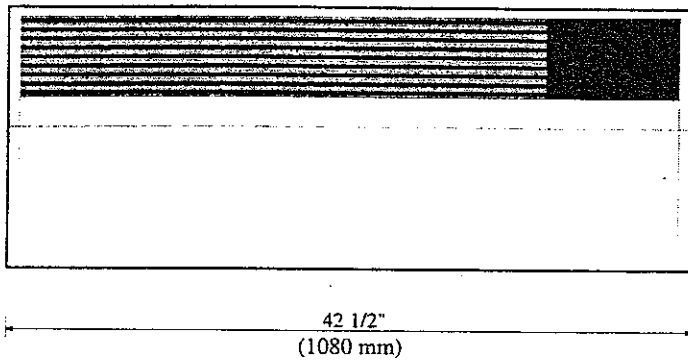
Contractor: _____ P.O.: _____

Engineer: _____

Project Name: _____ Unit Tag: _____



TOP VIEW



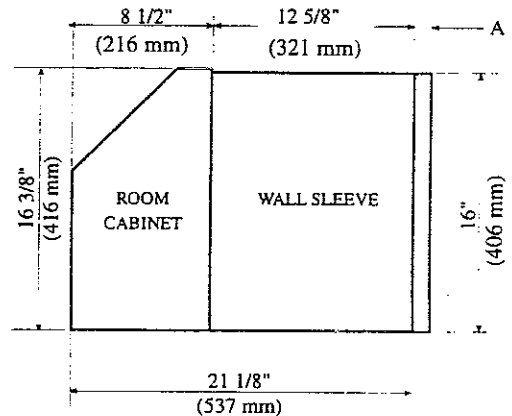
FRONT VIEW

BOTTOM RETURN

Wall Opening Size Requirement
16 1/4"x42 1/4"(410mm high x 1073mm)

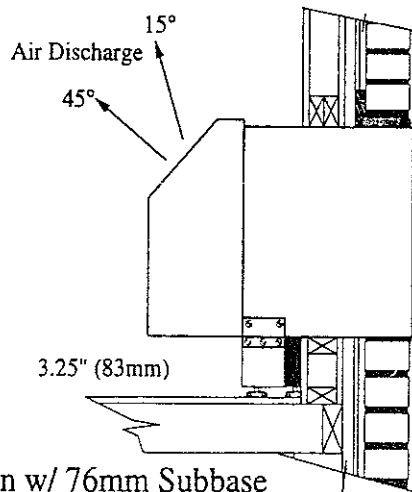
Minimum Clearance Above Finished
Floor is 3" for Bottom units.

A = Stamped Louver 1/2" (13mm)
Architectural Louver 1 1/4" (32mm)



SIDE VIEW

Standard two position air grille constructed of painted extruded aluminum to deflect air either 15° or 45° from vertical



Sample Installation w/ 76mm Subbase

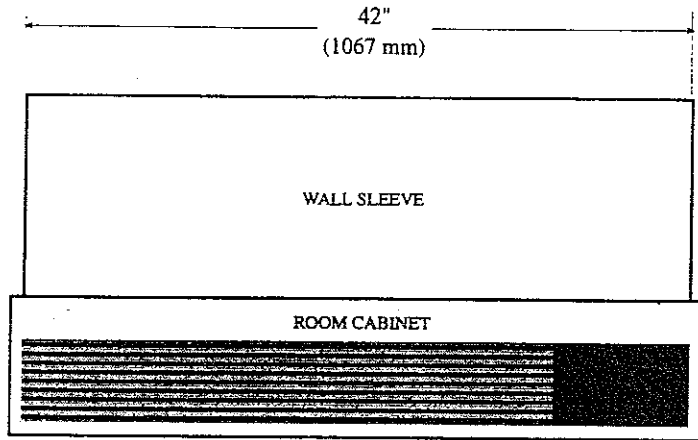
Agency Listings



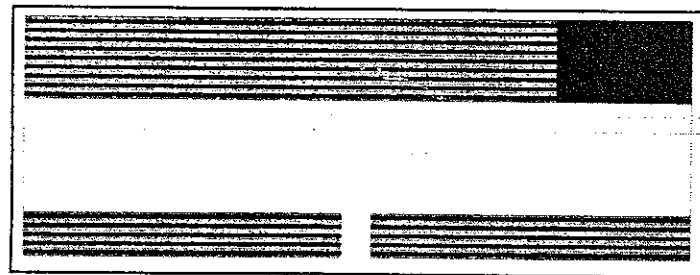
acp works continually to improve products. As a result, the design and specifications of each product at the time of order may be changed without notice and may not be as described herein. Please contact acp's Customer Service Department at 1-405-415-3100 for specific information on the current design and specifications. Statements and other information contained herein are not express warranties and do not form the basis of any bargain between the parties, but are merely acp's opinion or commendation of its products.

Dimensions PTA/PTP

Contractor: _____ P.O.: _____
 Engineer: _____
 Project Name: _____ Unit Tag: _____



TOP VIEW

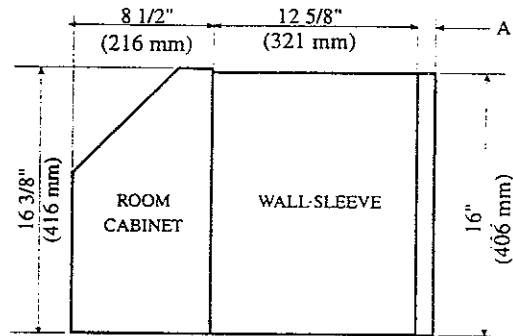


FRONT VIEW

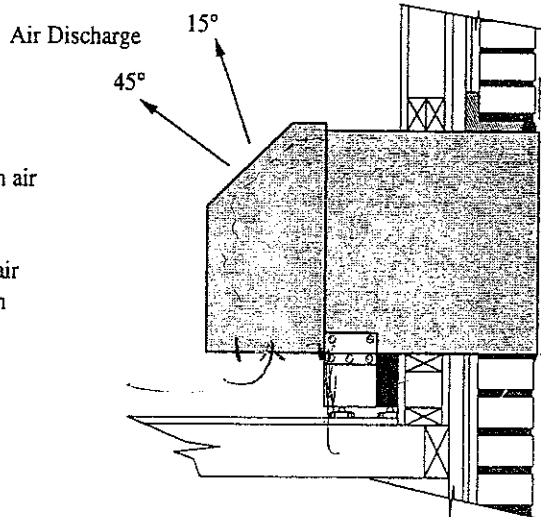
FRONT RETURN

Wall Opening Size Requirement
 16 1/8" x 42 1/4" (410mm high x 1075mm)

A = Architectural Louver 1 1/4" (32mm)



SIDE VIEW



Standard two position air grille constructed of painted extruded aluminum to deflect air either 15° or 45° from vertical

Agency Listings



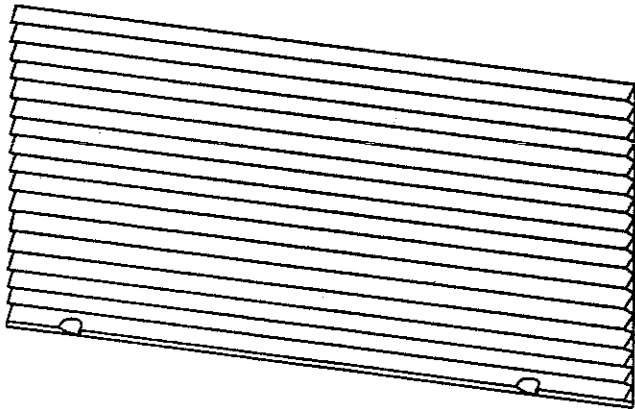
acp works continually to improve products. As a result, the design and specifications of each product at the time of order may be changed without notice and may not be as described herein. Please contact acp's Customer Service Department at 1-405-416-3100 for specific information on the current design and specifications. Statements and other information contained herein are not express warranties and do not form the basis of any bargain between the parties, but are merely acp's opinion or commendation of its products.

LOUVERS

Contractor: _____ P.O.: _____

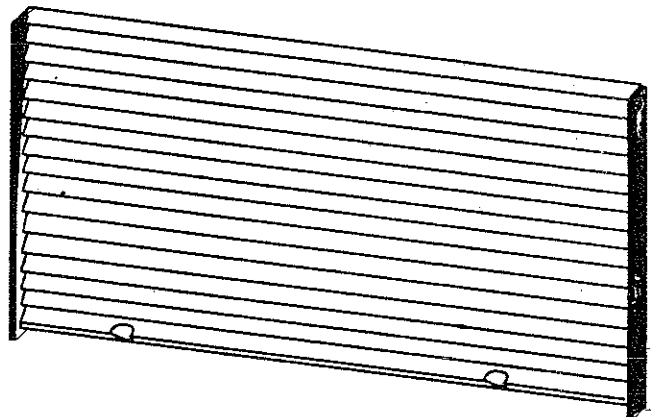
Engineer: _____

Project Name: _____ Unit Tag: _____



ARCHITECTURAL EXTRUDED ALUMINUM LOUVER

ARCHITECTURAL LOUVER WITH END COVERS

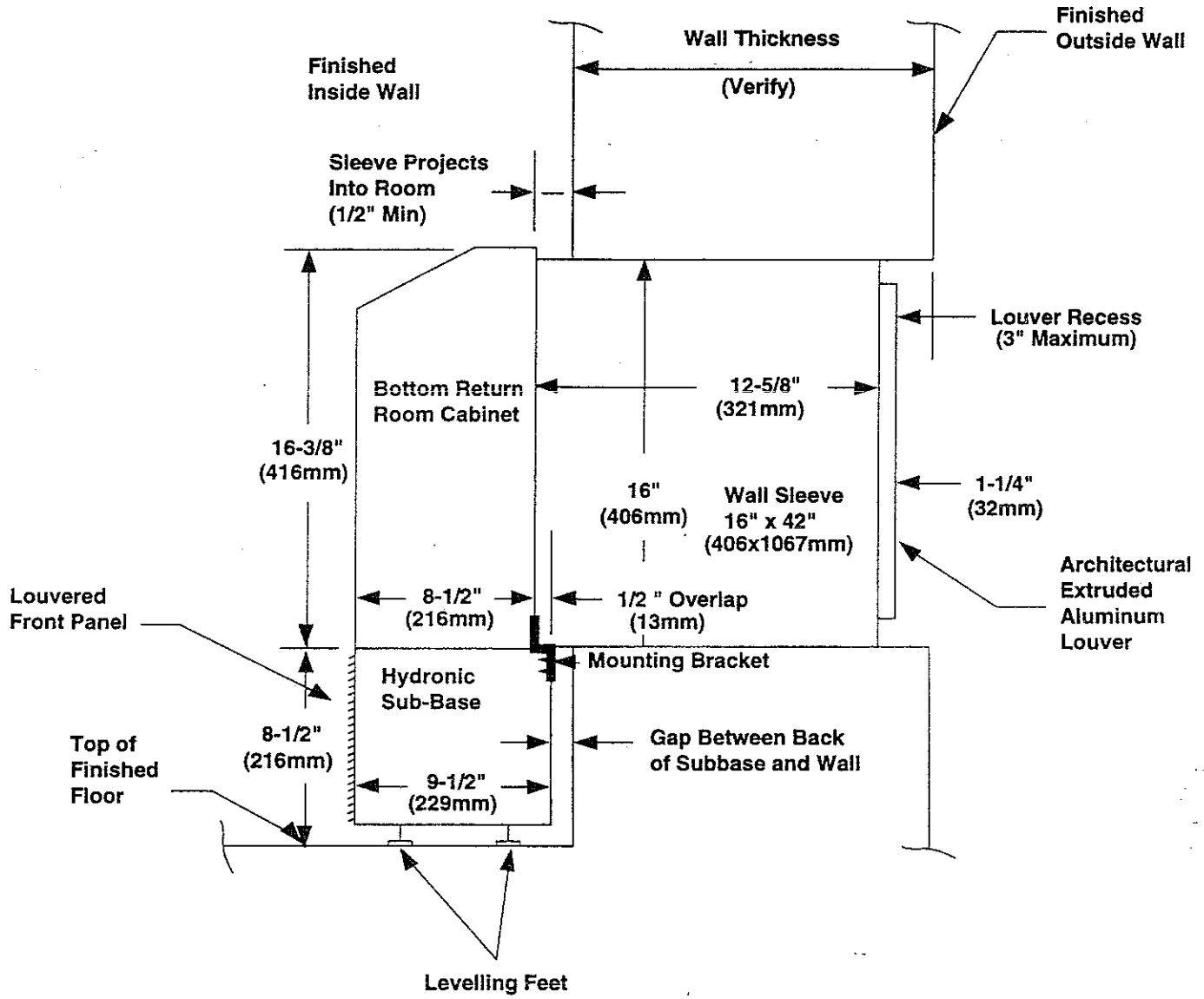


TYPE LOUVER	LENGTH	HEIGHT	DEPTH
ARCHITECTURAL LOUVER			1.25"
ARCH. LOUVER W/ END COVERS			1.25"

acp works continually to improve products. As a result, the design and specifications of each product at the time of order may be changed without notice and may not be as described herein. Please contact acp's Customer Service Department at 1-405-416-3100 for specific information on the current design and specifications. Statements and other information contained herein are not express warranties and do not form the basis of any bargain between the parties, but are merely acp's opinion or commendation of its products.

HYDRONIC SUBBASE ILLUSTRATION PTH

Contractor: _____ P.O.: _____
 Engineer: _____
 Project Name: _____ Unit Tag: _____



PACKAGED TERMINAL UNIT

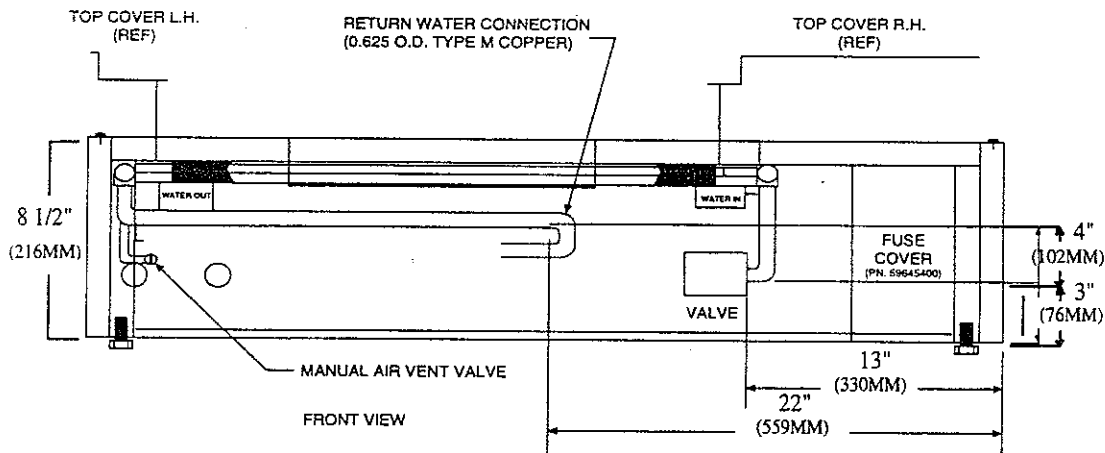
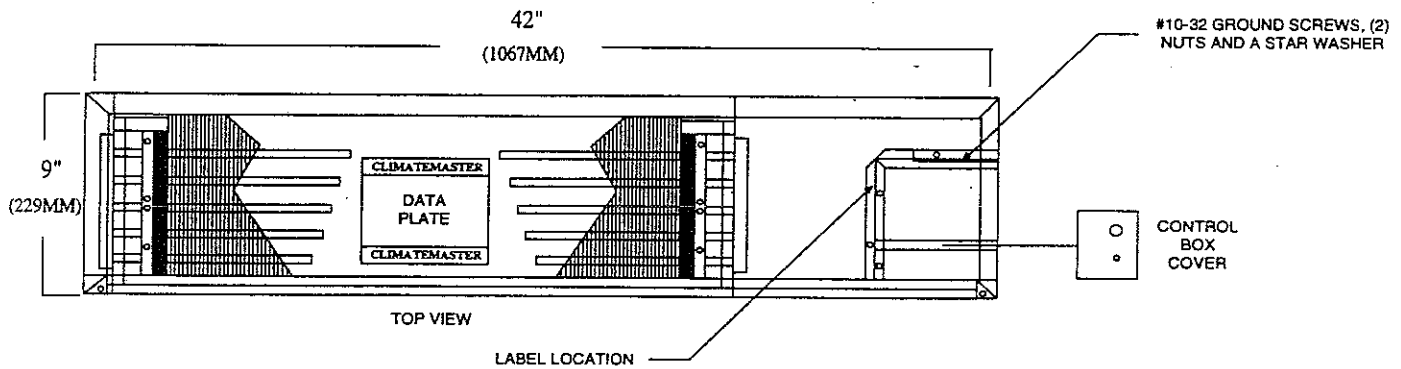
acp works continually to improve products. As a result, the design and specifications of each product at the time of order may be changed without notice and may not be as described herein. Please contact acp's Customer Service Department at 1-405-416-3100 for specific information on the current design and specifications. Statements and other information contained herein are not express warranties and do not form the basis of any bargain between the parties, but are merely acp's opinion or commendation of its products.

HYDRONIC SUBBASE

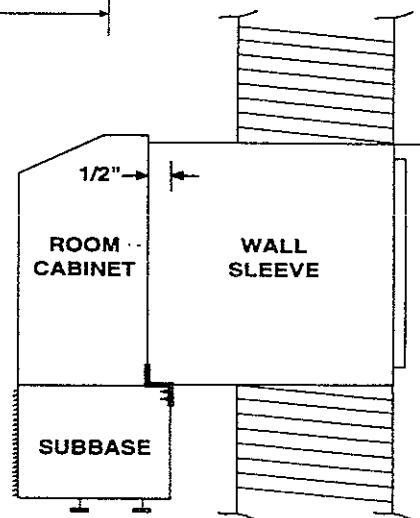
Contractor: _____ P.O.: _____

Engineer: _____

Project Name: _____ Unit Tag: _____



PACKAGED TERMINAL UNIT HYDRONIC SUBBASE ACCESSORY



BRACKET

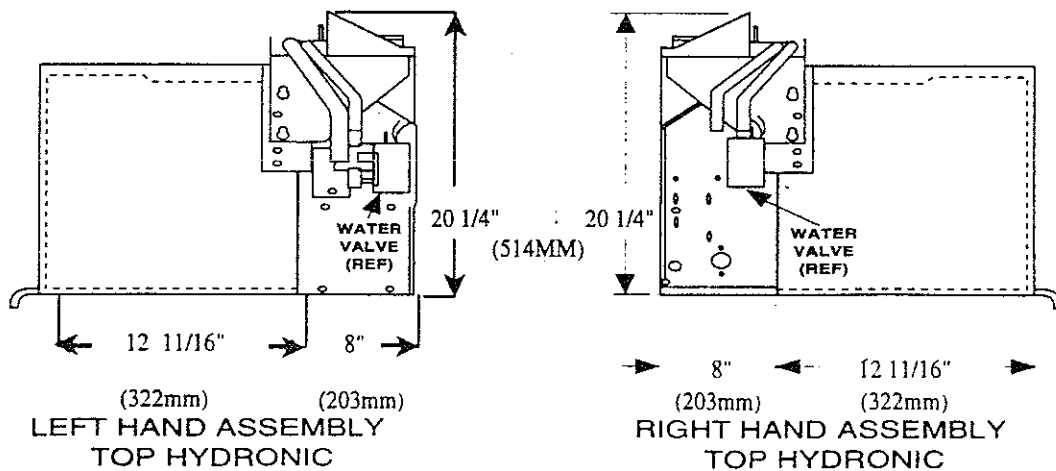
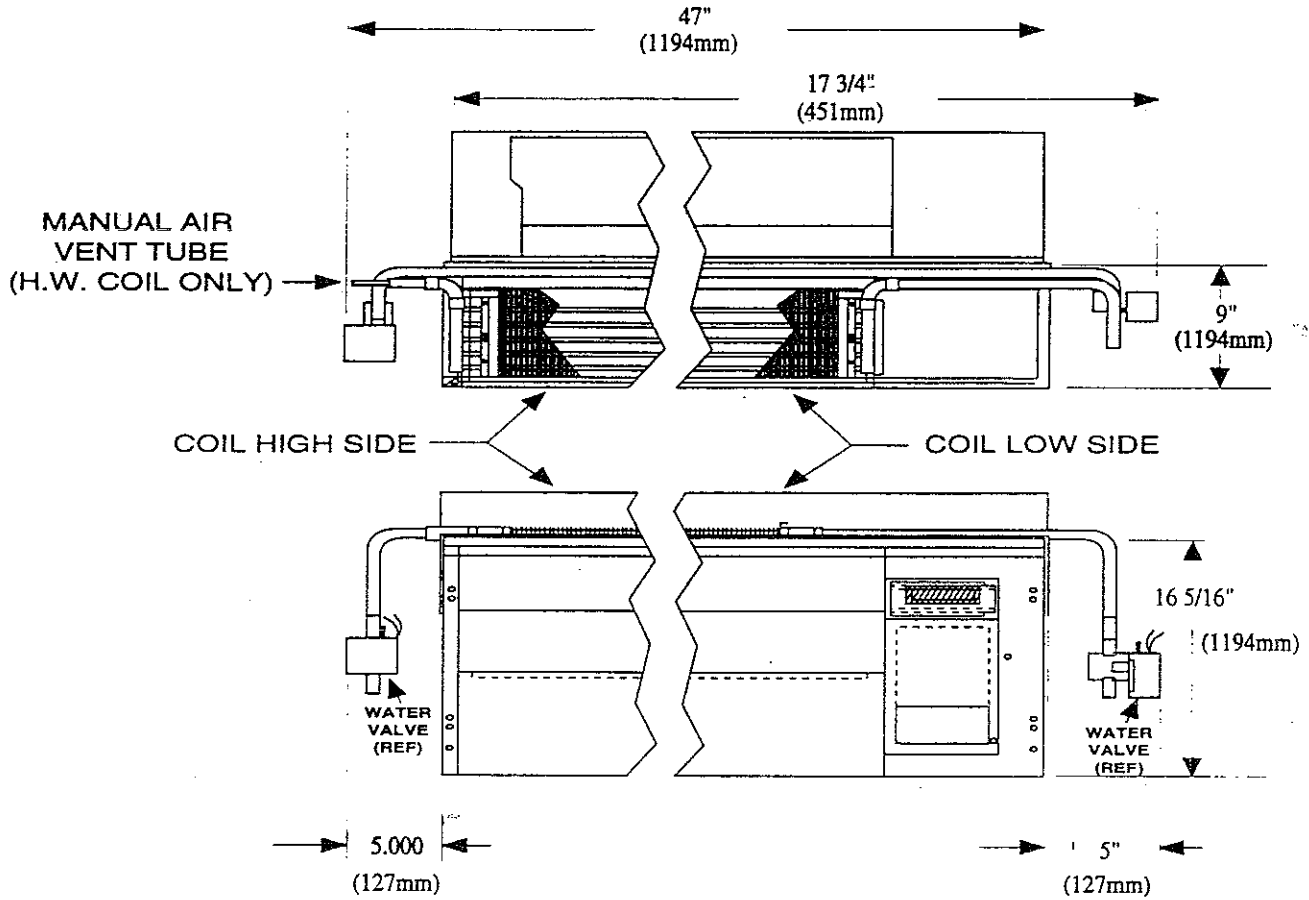
acp works continually to improve products. As a result, the design and specifications of each product at the time of order may be changed without notice and may not be as described herein. Please contact acp's Customer Service Department at 1-405-416-3100 for specific information on the current design and specifications. Statements and other information contained herein are not express warranties and do not form the basis of any bargain between the parties, but are merely acp's opinion or commendation of its products.

RoomMate®

Submittal Data

TOP MOUNT HYDRONIC KIT PTH

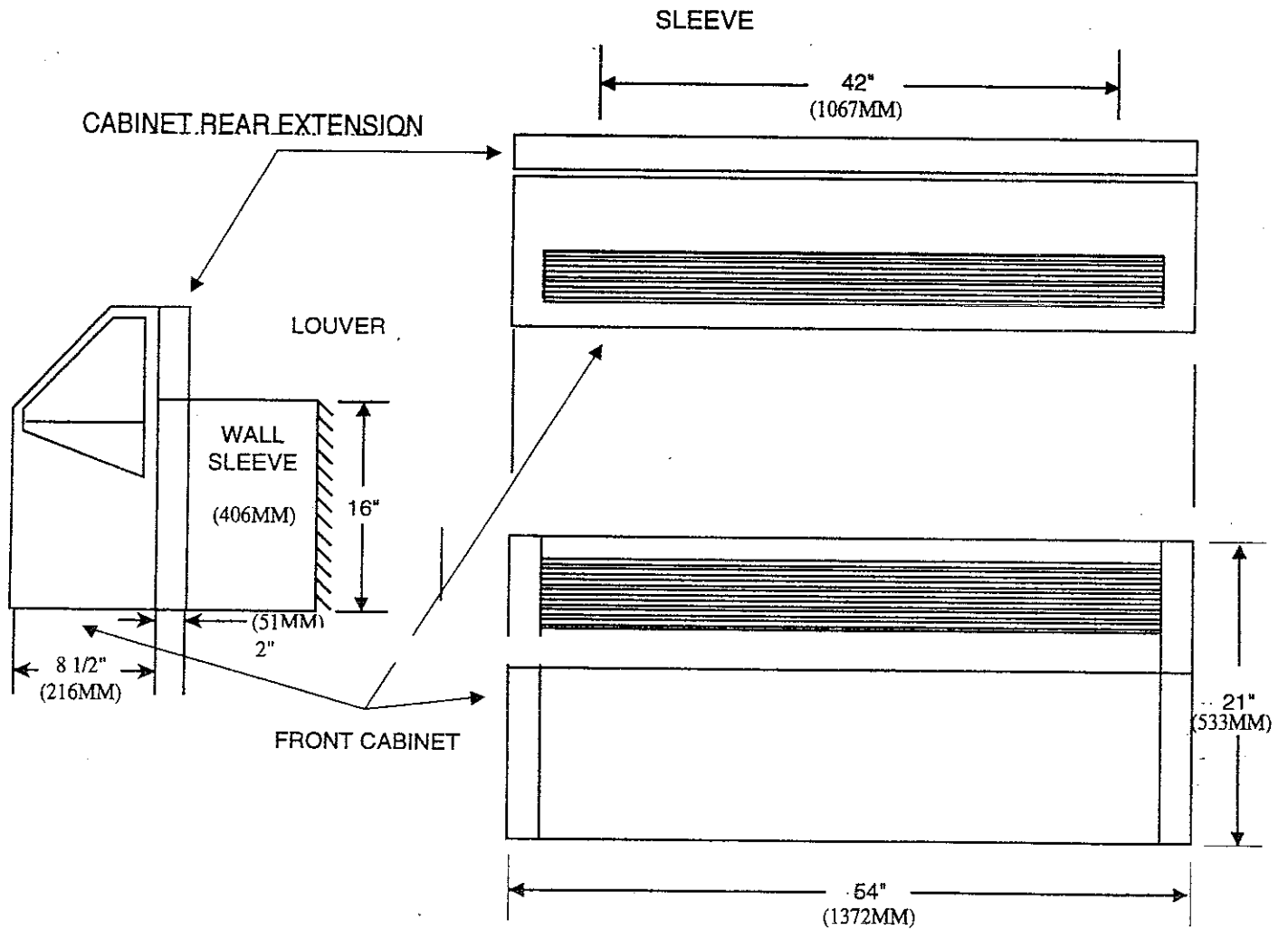
Contractor: _____ P.O.: _____
 Engineer: _____
 Project Name: _____ Unit Tag: _____



acp works continually to improve products. As a result, the design and specifications of each product at the time of order may be changed without notice and may not be as described herein. Please contact acp's Customer Service Department at 1-405-416-3100 for specific information on the current design and specifications. Statements and other information contained herein are not express warranties and do not form the basis of any bargain between the parties, but are merely acp's opinion or commendation of its products.

TOP MOUNT HYDRONIC ROOM CABINET AND CABINET REAR EXTENSION

Contractor: _____ P.O.: _____
 Engineer: _____
 Project Name: _____ Unit Tag: _____



acp works continually to improve products. As a result, the design and specifications of each product at the time of order may be changed without notice and may not be as described herein. Please contact acp's Customer Service Department at 1-405-416-3100 for specific information on the current design and specifications. Statements and other information contained herein are not express warranties and do not form the basis of any bargain between the parties, but are merely acp's opinion or commendation of its products.