



Climate Master

decentralized
air conditioning systems

Installation instructions for Security Guard Control Modules

CAUTION: Make certain that the OFF button on the control module is down before installing control module. Do not plug in power cord until installation is completed and conditioner is ready to run.

STEP 1 Remove decorator panel on room cabinet and set aside.

STEP 2 Remove knobs ① ② and aluminum switch plate ③ from control module. With the flange side of module ④ to the right, insert control module flange through opening in grille frame and swing left end of module up so the module aligns with mounting hole in the grille frame assembly ⑪. Install sheet metal screw ⑤ provided. Fit aluminum switch plate ③ over push-buttons, timer and thermostat shafts as shown in sketch. Press timer knob ① and thermostat knob ② on their respective shafts.

STEP 3 Remove blower compartment cover on cooling chassis by removing two sheet metal screws on bottom. Set aside. Unwind thermostat capillary tube and stretch it through slot at upper left corner of blower compartment. See sketch for routing capillary tube.

CAUTION: Be careful not to kink or break capillary tube while unwinding it.

STEP 4 Insert bulb into clips at left hand blower inlet. (See sketch of thermostat bulb detail) Check to see that the lip of bulb is higher than its junction with the capillary tube and that there is no interference with the blower wheel.

NOTE: It is a good idea to check blower wheels for free running while compartment is open.

STEP 5 Replace blower compartment cover with two sheet metal screws removed in STEP 3.

STEP 6 Plug cable (with Black & White wires) from heater into connector ⑥ on bottom of control module. Then plug cool chassis cable from junction box to connector ⑦ on bottom of control module.

STEP 7 Plug Security Guard Control cable 8 (red and black wires) into mating connector (also with red & black wires) from security guard junction box.

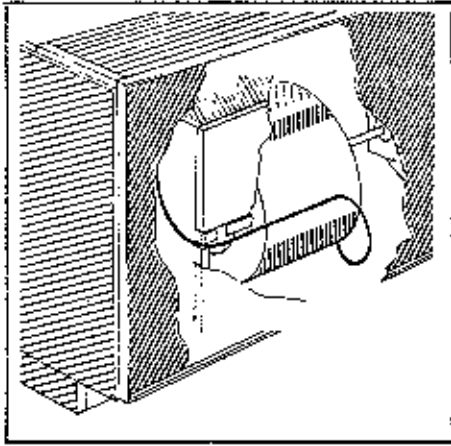
NOTE: DO NOT plug Security Guard control cable (from junction box) in heater connector ⑥ on bottom of control module.

STEP 8 Plug service cord plug ⑨ into receptacle in Security Guard junction box.

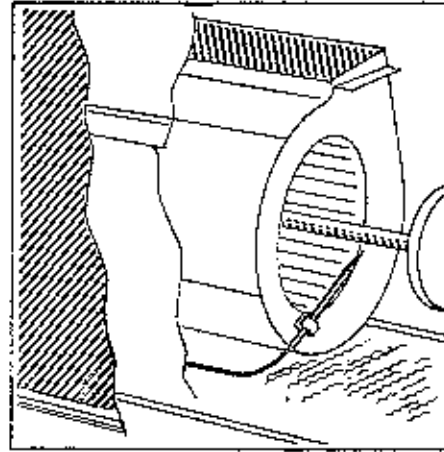
STEP 9 Set fresh damper switch ⑩ on bottom of control module to CLOSED position unless otherwise instructed in building plans or system specifications.

STEP 10 Replace decorator panel on room cabinet.

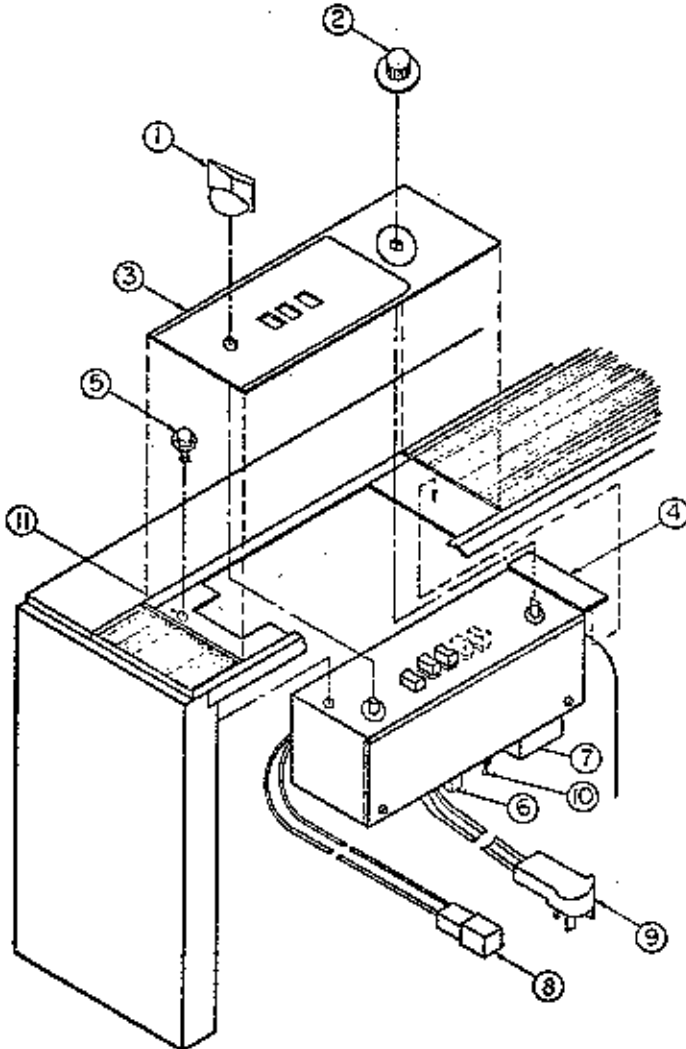
60-A-00004



Routing capillary tube



Thermostat bulb detail



Copyright ©, 1970
 Climate Master Division
 International Heating
 and Air Conditioning Corp.
 Printed in U.S.A. All rights reserved.
 Climate Master is a registered trade mark.

CAUTION

- * KICK PLATES ON THIS CABINET MUST BE REVERSED PRIOR TO INSTALLING CABINET. SEE SKETCH FOR PROPER ASSEMBLY OF KICK PLATES.

