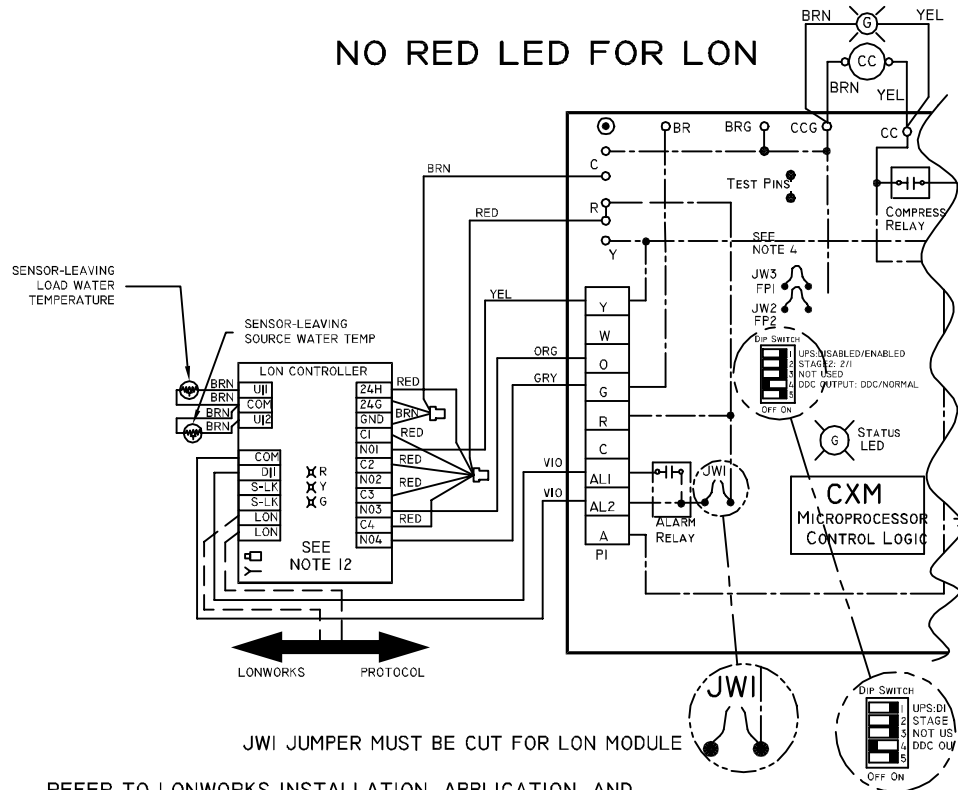


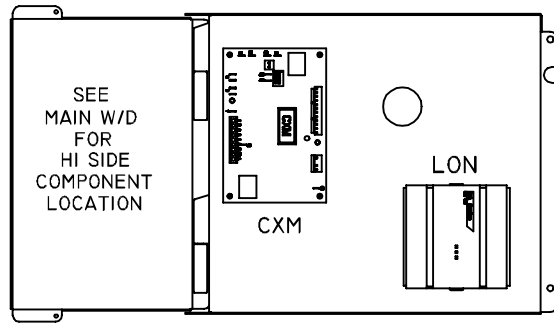


LON OPTION

NO RED LED FOR LON



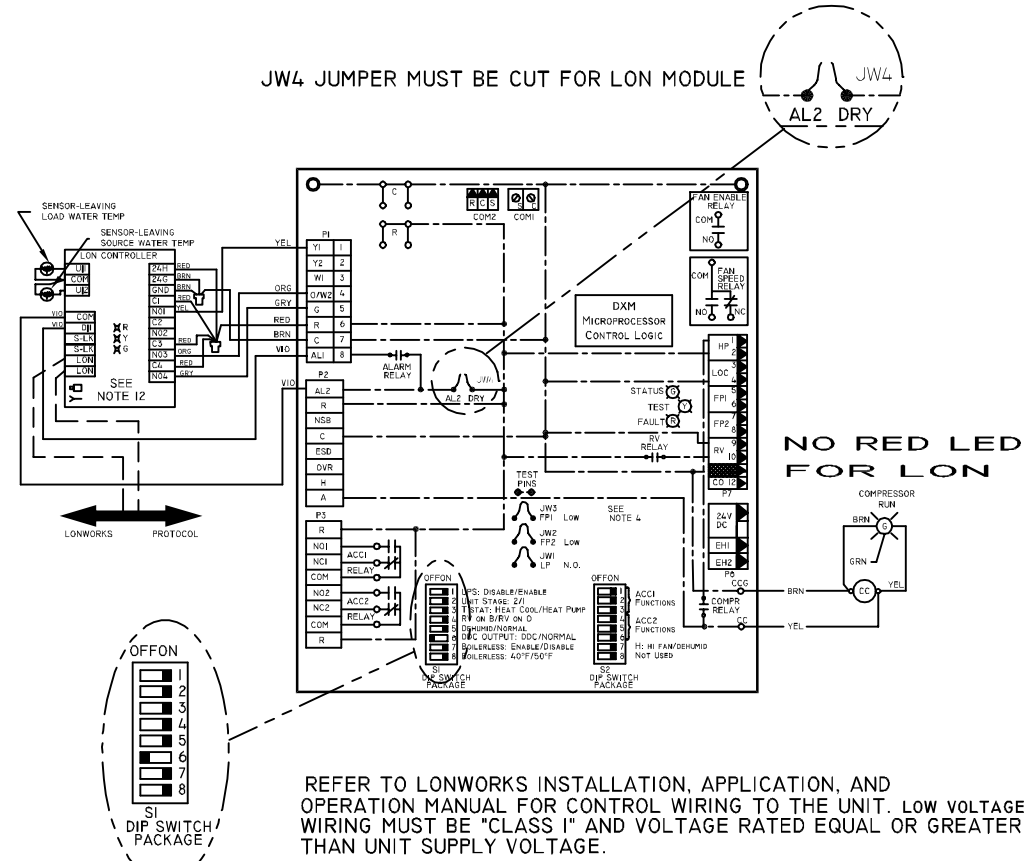
REFER TO LONWORKS INSTALLATION, APPLICATION, AND OPERATION MANUAL FOR CONTROL WIRING TO THE UNIT. LOW VOLTAGE WIRING MUST BE "CLASS I" AND VOLTAGE RATED EQUAL OR GREATER THAN UNIT SUPPLY VOLTAGE.



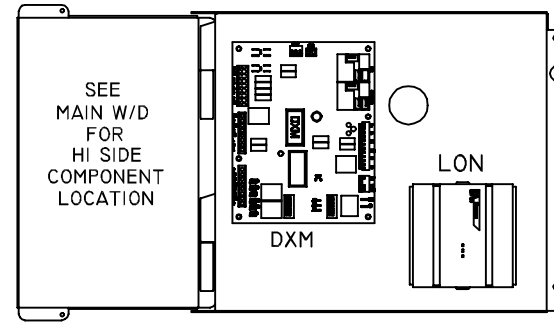
CONTROL BOX LAYOUT LOW SIDE

LON OPTION

JW4 JUMPER MUST BE CUT FOR LON MODULE



REFER TO LONWORKS INSTALLATION, APPLICATION, AND OPERATION MANUAL FOR CONTROL WIRING TO THE UNIT. LOW VOLTAGE WIRING MUST BE "CLASS I" AND VOLTAGE RATED EQUAL OR GREATER THAN UNIT SUPPLY VOLTAGE.



CONTROL BOX LAYOUT LOW SIDE