



- LEGEND**
- Factory Low voltage Wiring
  - Factory Line Voltage Wiring
  - - - Field Low voltage Wiring
  - - - Field Line voltage Wiring
  - - - Printed Circuit Trace
  - - - Optional Wiring
  - Optional Block Capacitor
  - Circuit Breaker
  - Condensate Pan
  - Ground
  - High Pressure Switch
  - LED
  - Low Pressure Switch
  - Mate-N-Lock
  - Multi Splice Connector
  - \* Optional
  - OVERLOAD
  - Relay contacts - N.C.
  - Relay contacts - N.O.
  - Relay / Contactor Coil
  - Solenoid Coil
  - Splice Cap
  - Temperature Switch
  - Thermistor
  - Wire Nut

**NOTES:**

2. All wiring to the unit must comply with NEC and local codes low voltage wiring shall be Class 2 or equivalent.

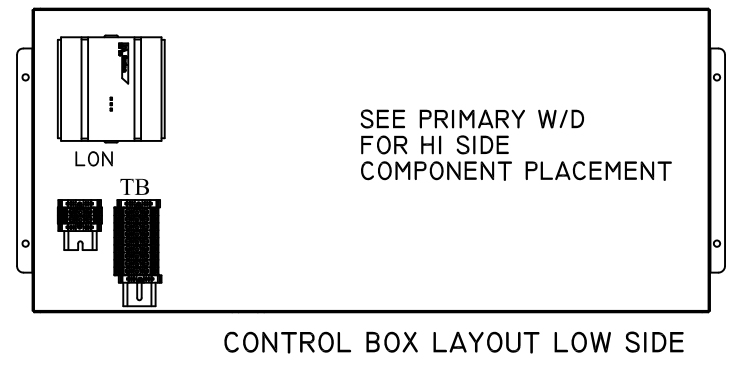
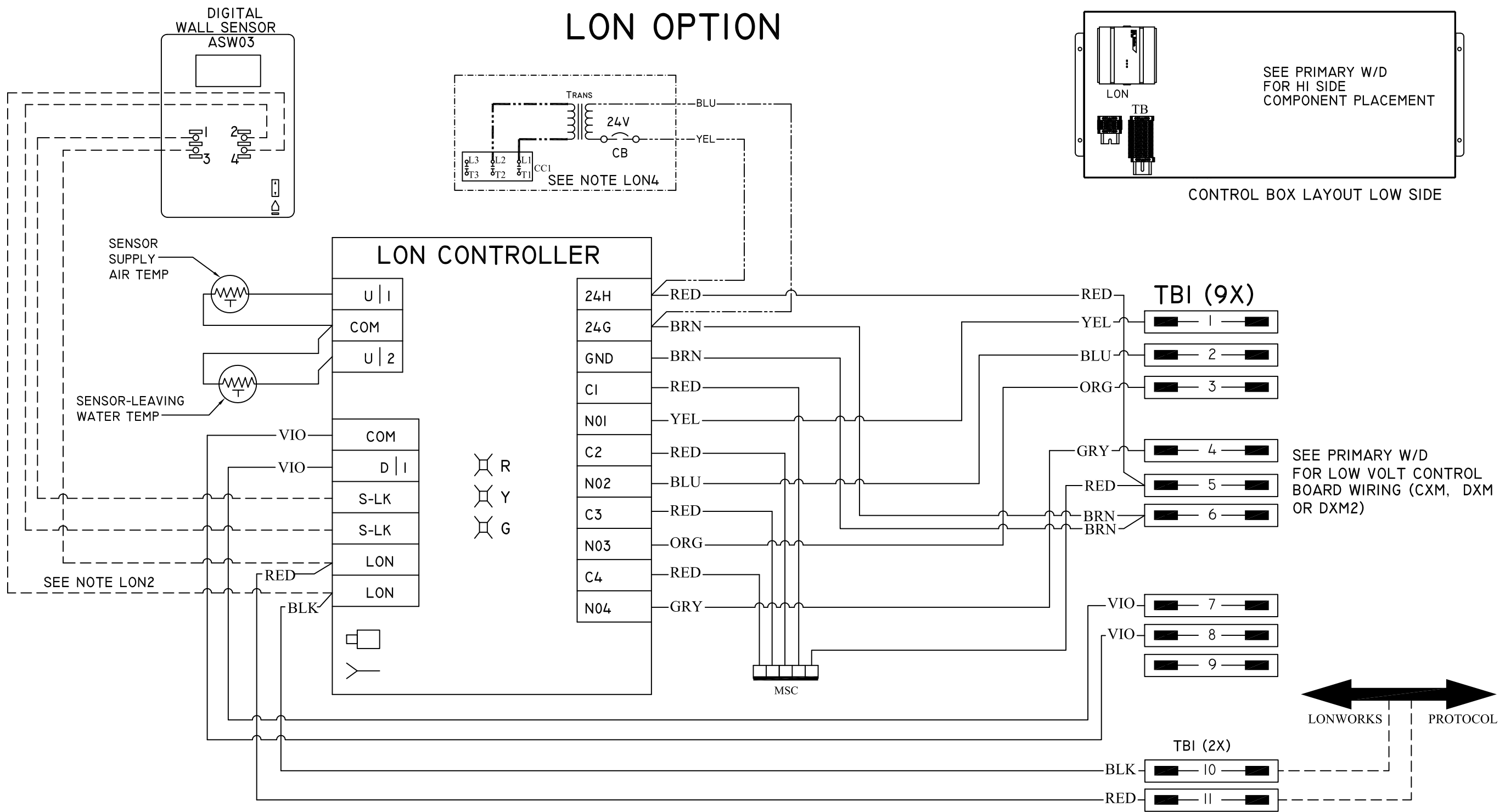
LON1. Refer to LON, OR TSTAT Installation, Application, and Operation Manual for control wiring to the unit.

LON2. Optional LON wires. Only connect if LON connection is desired at the wall sensor.

LON3. Factory cut JW1 (CXM) or JW4 (DXM) jumper. Dry Contact will be available between AL1 and AL2.

LON4 In case of factory installed secondary transformer the wires for power from the terminal blocks will not be used.

# LON OPTION



- AL Alarm Relay Contacts
- BM Blower Motor
- BMC Blower Motor Capacitor
- BR Blower Relay
- CAP Capacitor
- CB Circuit Breaker
- CC Compressor Contactor
- CO Condensate Overflow Sensor
- CR Compressor Relay
- CTB Common Terminal Block
- CS Current Sensor
- DHW Domestic Hot Water
- DM Damper Motor
- DTS Discharge Temperature Switch
- ES End Switch
- EWTS Entering Water Temp Sensor
- FP1 Sensor, low temp protection, water coil
- FP2 Sensor, low temp protection, air coil
- FSS Fan Speed Switch
- HP High Pressure Switch
- HPWS High Pressure Water Switch
- HR Heating Relay
- JW Jumper Wire
- LAT Leaving Air Temperature
- LOC Loss of Charge Pressure Switch
- LOR Lock Out Relay
- LWTS Leaving Water Temp Sensor
- MOD Modulating Water Valve
- MS Manual Starter
- MSC Multi Splice Connector
- MWV Motorized Water Valve
- PB Power Terminal Block
- PDB Power Distribution Block
- POT Potentiometer
- P1 Field Wiring Terminal Block
- RAS Return Air Sensor
- RVS Reversing Valve Solenoid
- SAC Start Assist Capacitor
- TB Terminal Block
- TRANS Transformer
- TS Terminal Strip
- UMT Unit Mounted Thermostat

SEE PRIMARY W/D FOR LOW VOLT CONTROL BOARD WIRING (CXM, DXM OR DXM2)

