

Universal Drain Kit Installation Instructions

Inspection

Upon receipt of shipment, carefully check the shipment against the bill of lading. Make sure all Drain Kits have been received. Inspect each Drain Kit for damage. Assure that the carrier makes proper notation on the delivery receipt of all damage identified and that he completes a Carrier Inspection Report. Concealed damage not discovered during unloading must be reported to the carrier within fifteen (15) days of receipt of shipment. **NOTE: It is the responsibility of the purchaser to file all necessary claims with the carrier. Notify ACP's Traffic Department of all damage within fifteen (15) days of receipt of shipment.**

Drain kits are shipped under separate cover for field installation.

Introduction

The ACP Universal Drain Kit is an optional accessory for PTA/PTP/PTH Packaged Terminal Air Conditioner/Heat Pumps. The Drain Kit accessory package is available for applications where positive drainage is desired or required by code or where water free-draining from the Wall Sleeve is objectionable. The Drain Kit allows water which accumulates in the Wall Sleeve to drain into a field supplied drain line for disposal.

Package Contents

The optional Universal Drain Kit contains the following parts necessary to install a drain on the Wall Sleeve at either an indoor or an outdoor location:

- (1) 1/2-inch O.D. copper drain elbow
- (1) Mounting plate with 1/2-inch center hole
- (2) Mounting plates, no center hole
- (1) Gasket with 1/2-inch center hole
- (2) Gaskets, no center hole

Installation

The Installation of Packaged Terminal Air Conditioners Heat Pumps and all associated components, parts, and accessories that make up the installation shall be in accordance with the regulations of all authorities having jurisdiction and MUST conform to all applicable codes. It is the responsibility of the Installing Contractor to determine and comply with ALL applicable codes and regulations.

CAUTION

Drain Kits are made of sheet metal parts and use sheet metal fasteners which may have sharp edges. To avoid possible bodily harm, the installer must exercise all due caution when handling these parts.

THIS EQUIPMENT MUST ONLY BE INSTALLED BY AN EXPERIENCED INSTALLATION CONTRACTOR WHICH EMPLOYS PERSONNEL TRAINED IN THE INSTALLATION OF THIS TYPE OF EQUIPMENT.

The Universal Drain Kit may be installed either indoors or outdoors as convenient or as required by code.

Under some circumstances, the Chassis' condensate disposal system may not entirely dissipate cooling condensate or wind-driven rain water which enters the Chassis through the Rear Louver. This excess water accumulates in the Chassis basepan until it is eventually evacuated from the basepan into the Wall Sleeve through two overflow notches located in the Chassis rear flange.

Heat pump models generate condensate during heating operation. This condensate drains from the Chassis basepan into the Wall Sleeve through a temperature activated drain valve.

Indoor Location

Refer to the plans. Verify the placement of the Drain Kit for every unit. Install the indoor drain before installing the Wall Sleeve. **NOTE:** This installation will use all of the parts supplied with the Universal Drain Kit.

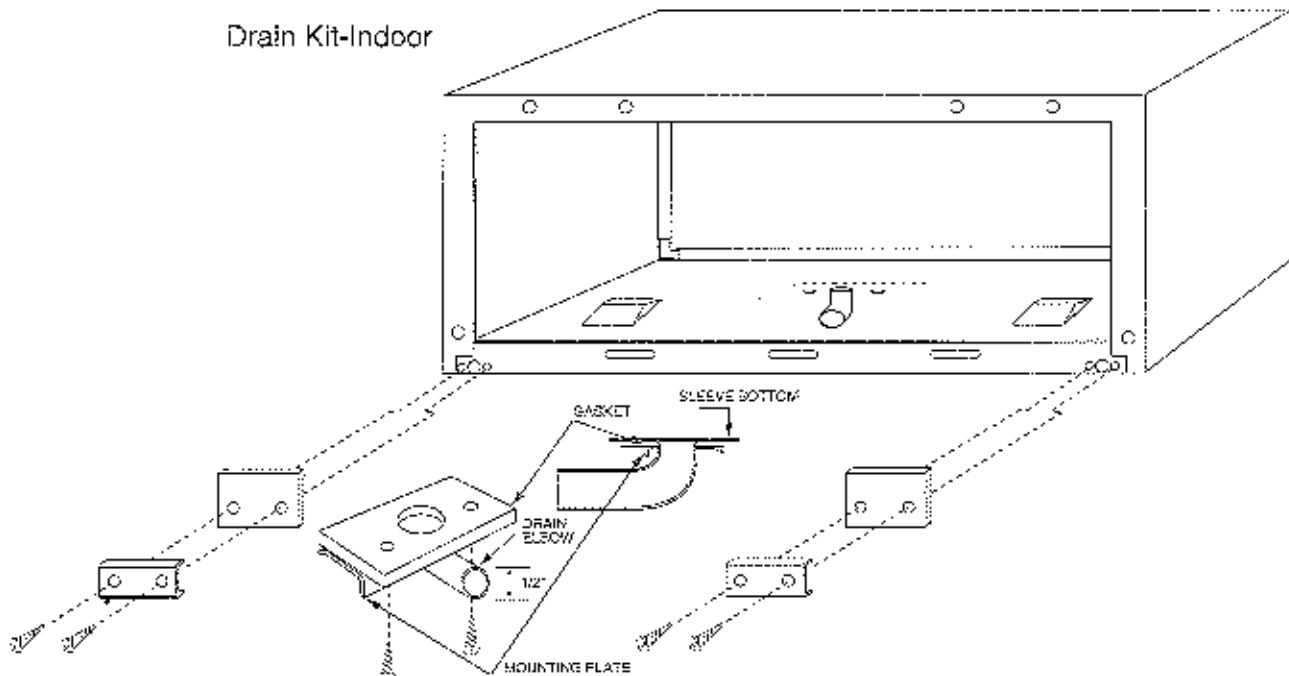
Install as follows:

- (1) Locate the drain so that it is on the room-side of the wall when the Wall Sleeve is installed. The drain may be located anywhere on the bottom of the Sleeve within 1 inch of the front or the sides. **Do not install the Drain any closer than 1 inch from the front or side of the Sleeve.**
- (2) For aesthetics, the drain may be located between the Subbase (if used) and the wall, or between the Sleeve support and the wall. (Drain location will depend on availability of space and on local Codes requirements.) If the Drain is located behind the Subbase or other Sleeve support, orient the Drain close to either the left or right side of the Sleeve to facilitate maintenance.
- (3) Use the mounting plate with a 1/2" center hole as a template to drill a 1/2" diameter hole for the Drain elbow at the desired location. Also drill two (2) 1/8" diameter holes for the mounting plate screws.

- (4) Peel the backing off the three (3) gaskets to expose the adhesive and attach each gasket to a mounting plate as shown in the illustration. Attach the gaskets without center holes to the mounting plates without holes and the gasket with the center hole to the mounting plate with the hole. Assemble the drain elbow and the mounting plate with the center hole. Fasten this assembly to the Sleeve. Install the remaining mounting plates on the outdoor corners of the Sleeve and fasten as shown.

NOTE: If the Sleeve IS NOT RECESSED into the wall opening, attach the mounting plate with its flange pointing toward the inside of the building. If the Sleeve IS RECESSED, attach the mounting plate with its flange pointing toward the outdoors. ALWAYS locate the gasket between the Sleeve and the mounting plate.

- (5) Refer to Wall Sleeve Installation Instructions, Part 69563806. Slide Sleeve into the wall opening and fasten in place per the Wall Sleeve Installation Instructions.



Outdoor Location

Install the Outdoor Drain **AFTER** the Wall Sleeve and **BEFORE** the Rear Louver.

Do not push the wall sleeve into a wall opening with the outdoor drain installed. This will damage the drain elbow and the wall sleeve.

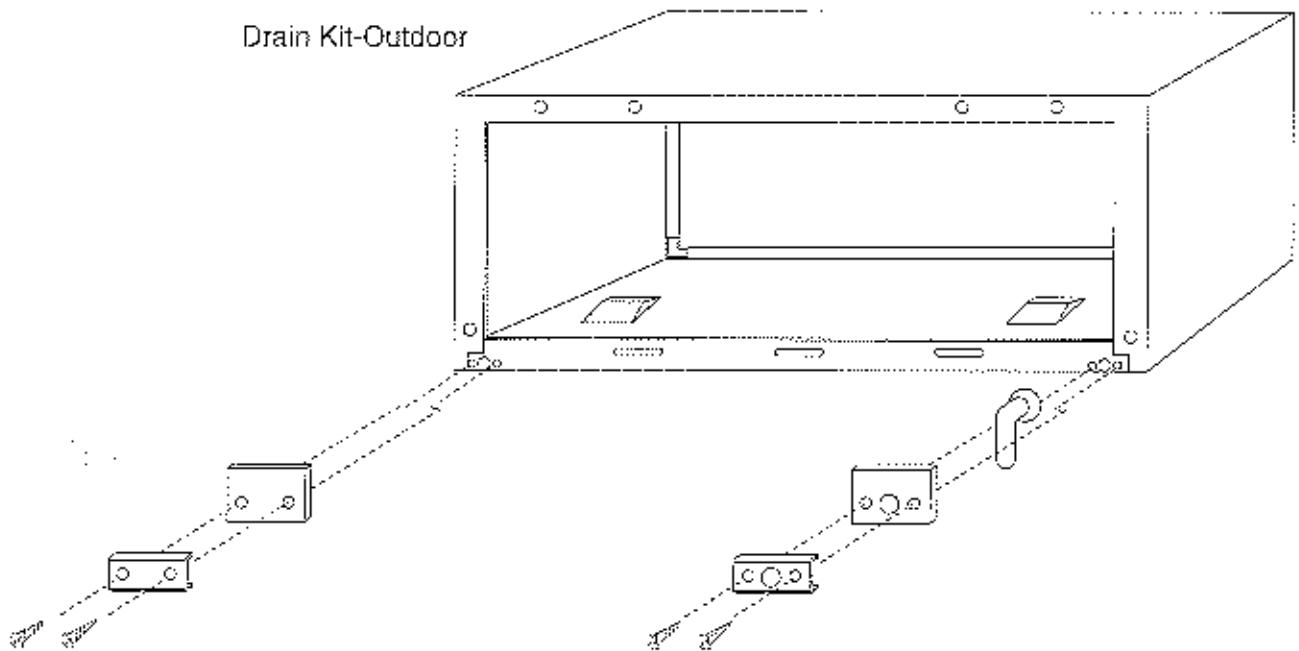
NOTE: Outdoor installation does not use all of the parts supplied with the Universal Drain Kit. After installation is complete, the following parts will remain unused: one (1) gasket (without center hole), one (1) mounting plate (without center hole) and two (2) screws. Discard these parts if desired.

Install as follows:

- (1) Refer to the Wall Sleeve Installation Instructions, Part # 69563806. Slide the Sleeve into the wall opening and fasten in place per the Wall Sleeve Installation Instructions. **NOTE:** If the Wall Sleeve is recessed into the wall opening more than 1-1/4-inch, it may not be possible to install the drain elbow in a plumb position. As a result, the Sleeve may not drain completely.
- (2) Install the drain on one of the two outdoor corners of the Wall Sleeve.

- (3) Peel the backing off the gasket with the center hole to expose the adhesive and attach the gasket to the mounting plate with the hole as shown in the illustration. Assemble the drain elbow and the mounting plate and fasten to the desired corners of the Wall Sleeve as shown. Peel the backing off of one of the two remaining gaskets without a center hole to expose the adhesive and attach the gaskets illustration. Install this mounting plate to block the drain opening on the opposite corners of the Wall Sleeve.

NOTE: If the Sleeve IS **NOT** RECESSED into the wall opening, attach the mounting plate with its flange pointing toward the inside of the building. If the Sleeve IS RECESSED, attach the mounting plate with its flange pointing toward the outdoors. **ALWAYS** locate the gasket between the Sleeve and the mounting plate.



ACP International Ltd. works continually to improve its products. As a result, the design and specifications of each product at the time for order may be changed without notice and may not be as described herein. Please contact ACP's Customer Service Department at 1-405-416-3100 for specific information on the current design and specifications. Statements and other information contained herein are not express warranties and do not form the basis of any bargain between the parties, but are merely ACP's opinion or commendation of its products.

Doc# ACP-IOM-UDK-0600

Part# 69563803

© 1999 ACP International Ltd.



RoomMate[®]
Air Conditioners and Heat Pumps



P.O. Box 2053
Oklahoma City, OK 73101
Phone 405.416.3100
Fax 405.416.3141