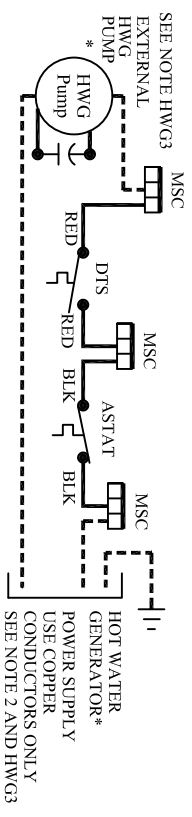


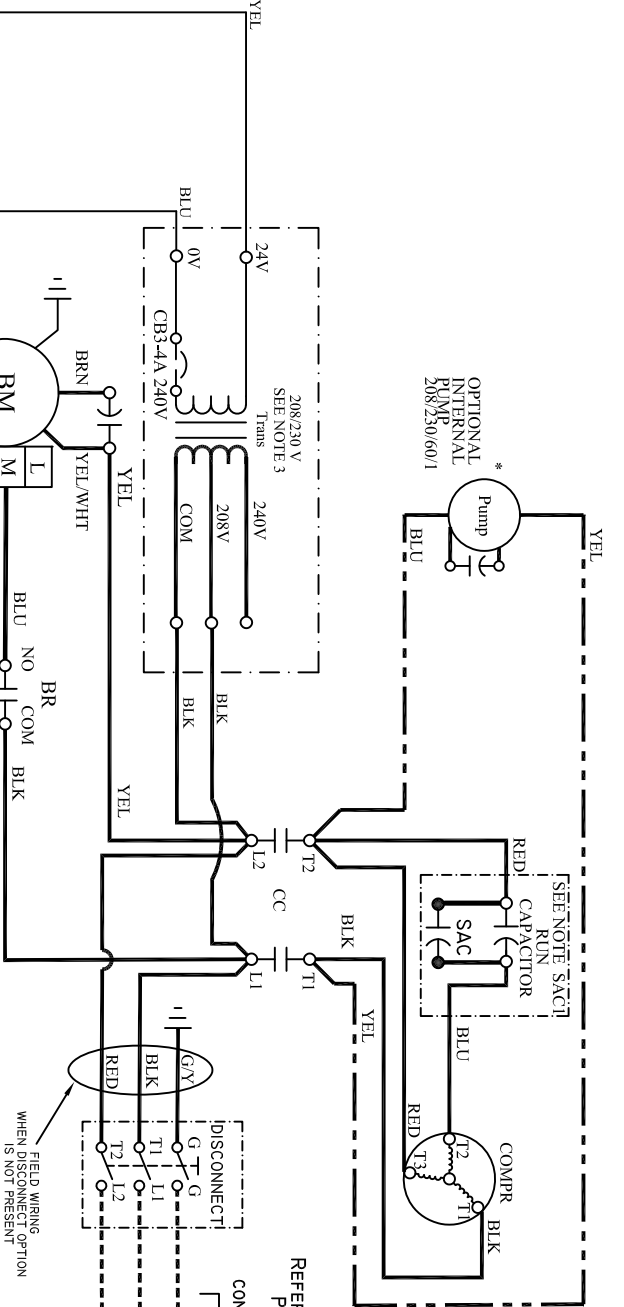
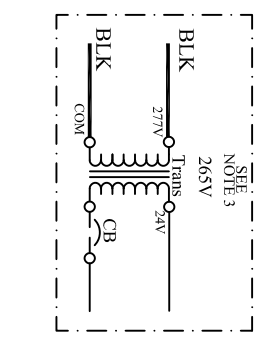
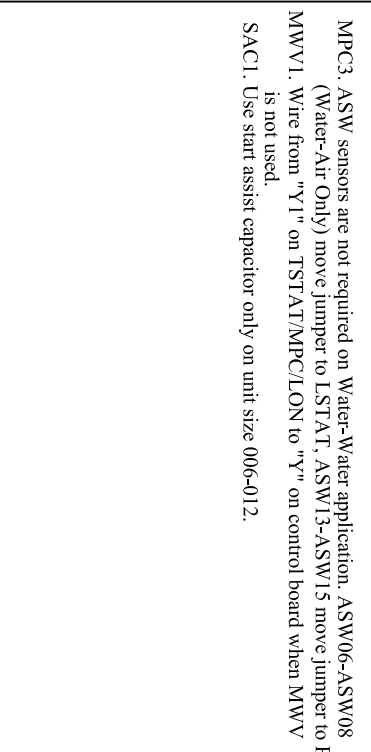
LEGEND	
————	Factory Low Voltage Wiring
————	Factory Line Voltage Wiring
-----	Field Low Voltage Wiring
-----	Field Line Voltage Wiring
-----	Printed Circuit Trace
-----	Optional Wiring
-----	Optional Block
○	Capacitor
○	Circuit Breaker
○	Condensate Pan
⊥	Ground
⊥	High Pressure Switch
⊥	LED
⊥	Low Pressure Switch
⊥	Mate-N-Lock
⊥	Multi Splice Connector
⊥	Optional Relay contacts - N.C.
⊥	Optional Relay contacts - N.O.
⊥	Relay / Contactor Coil
⊥	Solenoid Coil
⊥	Splice Cap
⊥	Temperature Switch
⊥	Thermistor
⊥	Wire Nut

AL	Alarm Relay Contacts
BM	Blower Motor
BMC	Blower Motor Capacitor
BR	Blower Relay
CAP	Capacitor
CB	Circuit Breaker
CC	Compressor Contactor
CO	Condensate Overflow Sensor
CR	Compressor Relay
CTB	Common Terminal Block
CS	Current Sensor
DHW	Domestic Hot Water
DM	Damper Motor
DTS	Discharge Temperature Switch
ES	End Switch
EWTS	Entering Water Temp Sensor
FP1	Sensor, low temp protection, water coil
FP2	Sensor, low temp protection, air coil
FSS	Fan Speed Switch
HP	High Pressure Switch
HPWS	High Pressure Water Switch
HR	Heating Relay
JW	Jumper Wire
LAT	Leaving Air Temperature
LOC	Loss of Charge Pressure Switch
LOR	Lock Out Relay
LWTS	Leaving Water Temp Sensor
MOD	Modulating Water Valve
MS	Manual Starter
MSC	Multi Splice Connector
MWV	Motorized Water Valve
PB	Power Terminal Block
PDB	Power Distribution Block
POT	Potentiometer
P1	Field Wiring Terminal Block
RAS	Return Air Sensor
RVS	Reversing Valve Solenoid
SAC	Start Assist Capacitor
TB	Terminal Block
TRANS	Transformer
TS	Terminal Strip
UMT	Unit Mounted Thermostat

- NOTES:
1. Compressor and Blower Motor thermally protected internally.
 2. All wiring to the unit must comply with NEC and local codes low voltage wiring shall be Class 2 or equivalent.
 3. Transformer wiring is voltage sensitive. Use the layout corresponding to the unit voltage. For 208/230 volt units, the factory default is 208V. For 308/420V operation the factory default is 380V.
 4. FP1 provides low temperature protection for WATER. When using ANTI-FREEZE solutions, cut JW3 jumper.
 5. Typical heat pump thermostat wiring shown. Refer to thermostat IOM for wiring to the unit. T-Stat wiring must be "Class 1" and voltage rating equal to or greater than unit supply voltage.



6. 24V Alarm signal shown. For Dry Alarm contact between AL1 & AL2, cut JW1 for CXM/DXMM Gen2 or JW4 DXM.
7. Transformer Secondary Ground via CXM/DXMM board standoffs and screws to Control Box.
- BM4. Blower motor factory wired to Medium speed. For Low speed remove BLU wire from Medium tap and connect to Low Speed Tap. For High speed remove BLU wire from existing Speed Tap and remove BRN jumper wire from High Speed Tap. Connect BLU wire to High Speed Tap. Tape off Unconnected end of BRN jumper.
- HWG3. AQUA STAT is supplied with unit and must be wired in series with the hot leg to the pump. Aqua stat is rated for voltage up to 277V.
- MPC1. Factory cut JW1 (CXM) or JW4 (DXM) jumper. Dry Contact will be available between AL1 and AL2.
- MPC2. Refer to MPC Installation application, and Operation Manual For Control Wiring to the unit.

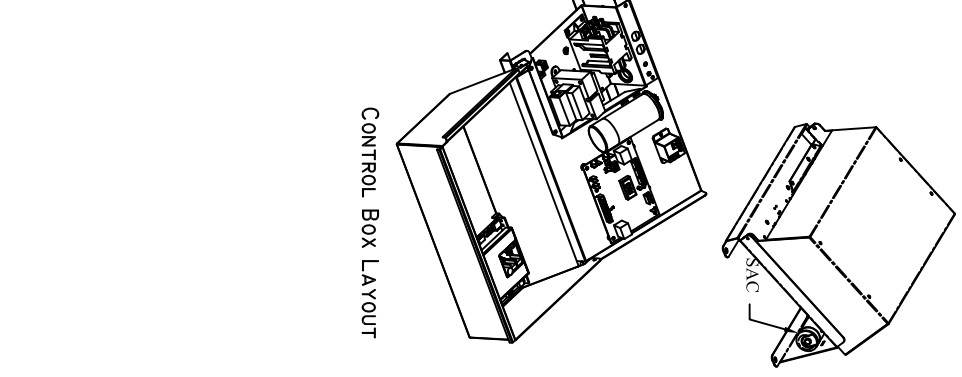
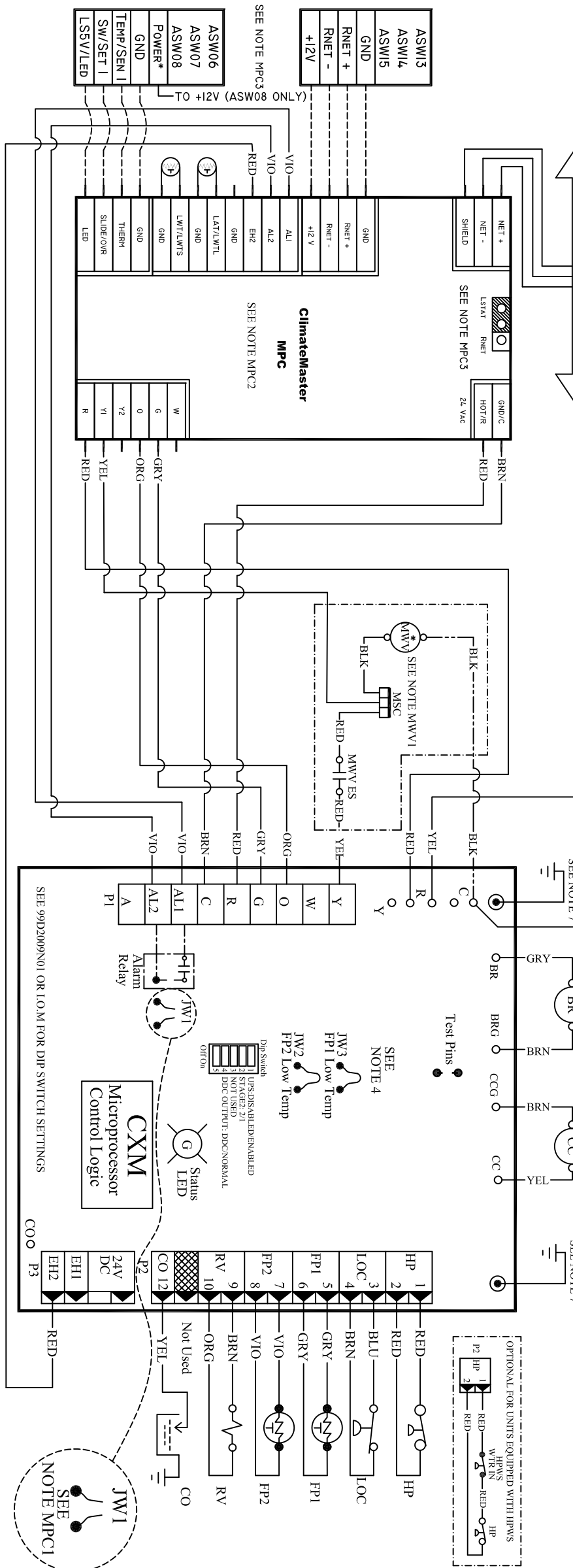


REFER TO DATA PLATE
POWER SUPPLY
USE COPPER
CONDUCTORS ONLY.

FIELD WIRING
IS NOT PRESENT
WHEN DISCONNECT OPTION

SAC 006-012 ONLY

POLARITY SENSITIVE
DDC COMM NETWORK



SEE NOTE MPC1