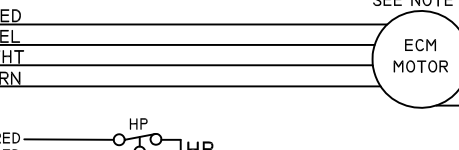
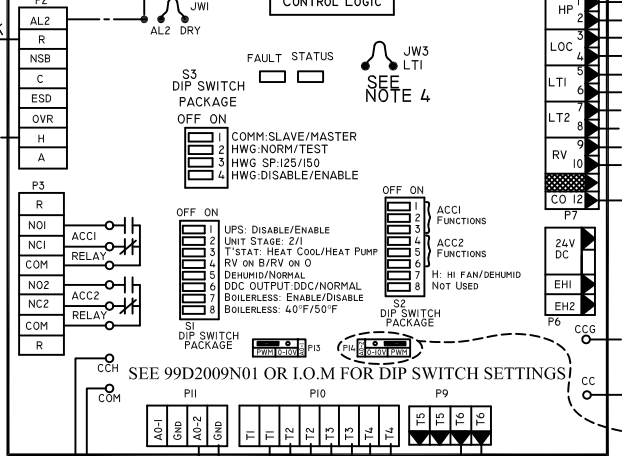
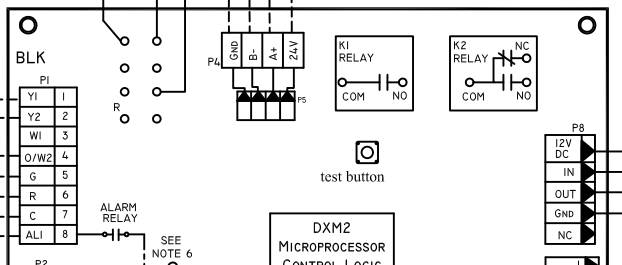
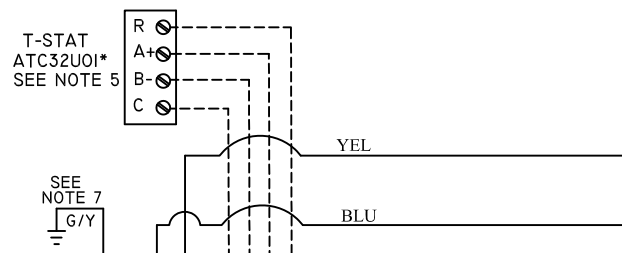
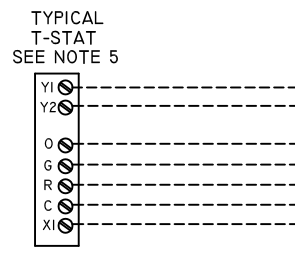
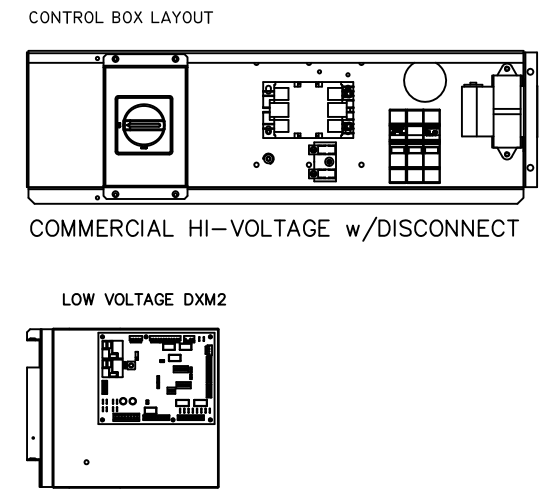
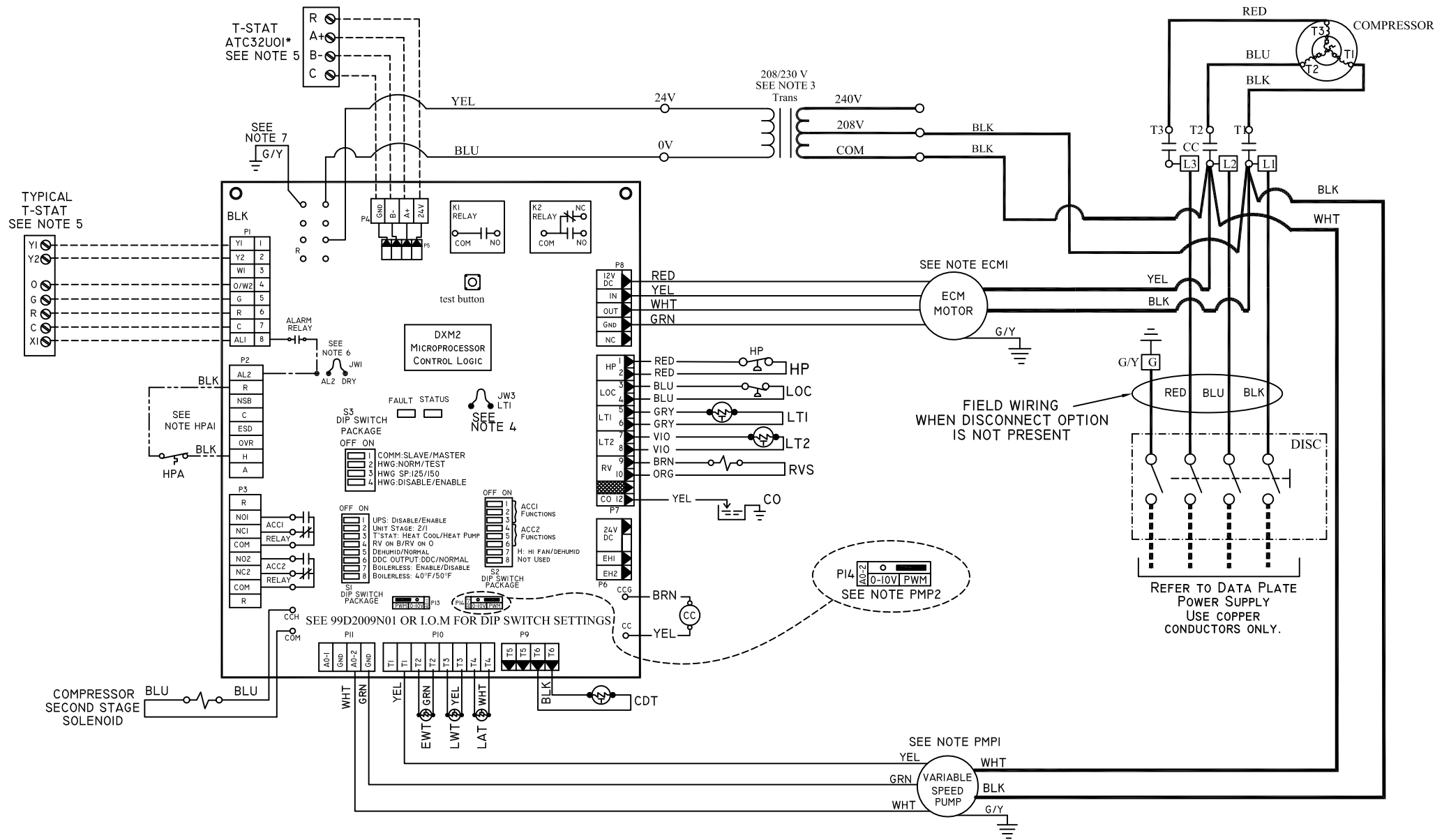


- LEGEND**
- Factory Low voltage Wiring
  - Factory Line Voltage Wiring
  - - - Field Low voltage Wiring
  - - - Field Line voltage Wiring
  - Printed Circuit Trace
  - - - Optional Wiring
  - Optional Block
  - Capacitor
  - Circuit Breaker
  - Condensate Pan
  - Ground
  - High Pressure Switch
  - LED
  - Low Pressure Switch
  - Mate-N-Lock
  - Multi Splice Connector
  - \* Optional
  - OVERLOAD
  - Relay contacts - N.C.
  - Relay contacts - N.O.
  - Relay / Contactor Coil
  - Solenoid Coil
  - Splice Cap
  - Temperature Switch
  - Thermistor
  - Wire Nut

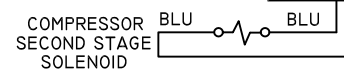
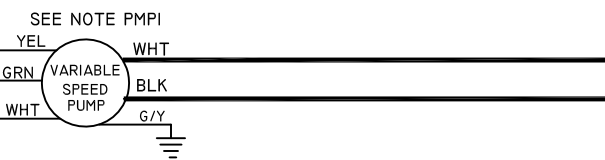
- NOTES:**
1. Compressor and Blower Motor thermally protected internally.
  2. All wiring to the unit must comply with NEC and local codes low voltage wiring shall be Class 2 or equivalent.
  3. 208/230V transformer will be connected for 208V operation. For 240V operation, disconnect 208 terminal and attach to 240V terminal. Insulate unused terminals on transformer.
  4. FP1 provides low temperature protection for WATER. When using ANTI-FREEZE solutions, cut JW3 jumper.
  5. Typical heat pump thermostat wiring shown. Refer to thermostat IOM for wiring to the unit. T-Stat wiring must be "Class 1" and voltage rating equal to or greater than unit supply voltage.
  6. 24V Alarm signal shown. For Dry Alarm contact between AL1 & AL2, cut JW1 for CXM/DXM Gen2 or JW4 DXM.
  7. Transformer Secondary Ground via CXM/DXM board standoffs and screws to Control Box.

ECM1. For ECM Blower Motor air flow adjustment and diagnostic information refer to IOM.  
 HPA1. HPA only for MAgna Pump Option.  
 PMP1. For Variable Speed pump control and diagnostic information refer to unit IOM.  
 PMP2. For Variable Speed pump option, place jumper on PWM pins.

- AL Alarm Relay Contacts
- BM Blower Motor
- BMC Blower Motor Capacitor
- BR Blower Relay
- CAP Capacitor
- CB Circuit Breaker
- CC Compressor Contractor
- CO Condensate Overflow Sensor
- CR Compressor Relay
- CTB Common Terminal Block
- CS Current Sensor
- DHW Domestic Hot Water
- DM Damper Motor
- DTS Discharge Temperature Switch
- ES End Switch
- EWTS Entering Water Temp Sensor
- FP1 Sensor, low temp protection, water coil
- FP2 Sensor, low temp protection, air coil
- FSS Fan Speed Switch
- HP High Pressure Switch
- HPWS High Pressure Water Switch
- HR Heating Relay
- JW Jumper Wire
- LAT Leaving Air Temperature
- LOC Loss of Charge Pressure Switch
- LOR Lock Out Relay
- LWTS Leaving Water Temp Sensor
- MOD Modulating Water Valve
- MS Manual Starter
- MSC Multi Splice Connector
- MWV Motorized Water Valve
- PB Power Terminal Block
- PDB Power Distribution Block
- POT Potentiometer
- P1 Field Wiring Terminal Block
- RAS Return Air Sensor
- RVS Reversing Valve Solenoid
- SAC Start Assist Capacitor
- TB Terminal Block
- TRANS Transformer
- TS Terminal Strip
- UMT Unit Mounted Thermostat



FIELD WIRING WHEN DISCONNECT OPTION IS NOT PRESENT



REFER TO DATA PLATE POWER SUPPLY USE COPPER CONDUCTORS ONLY.