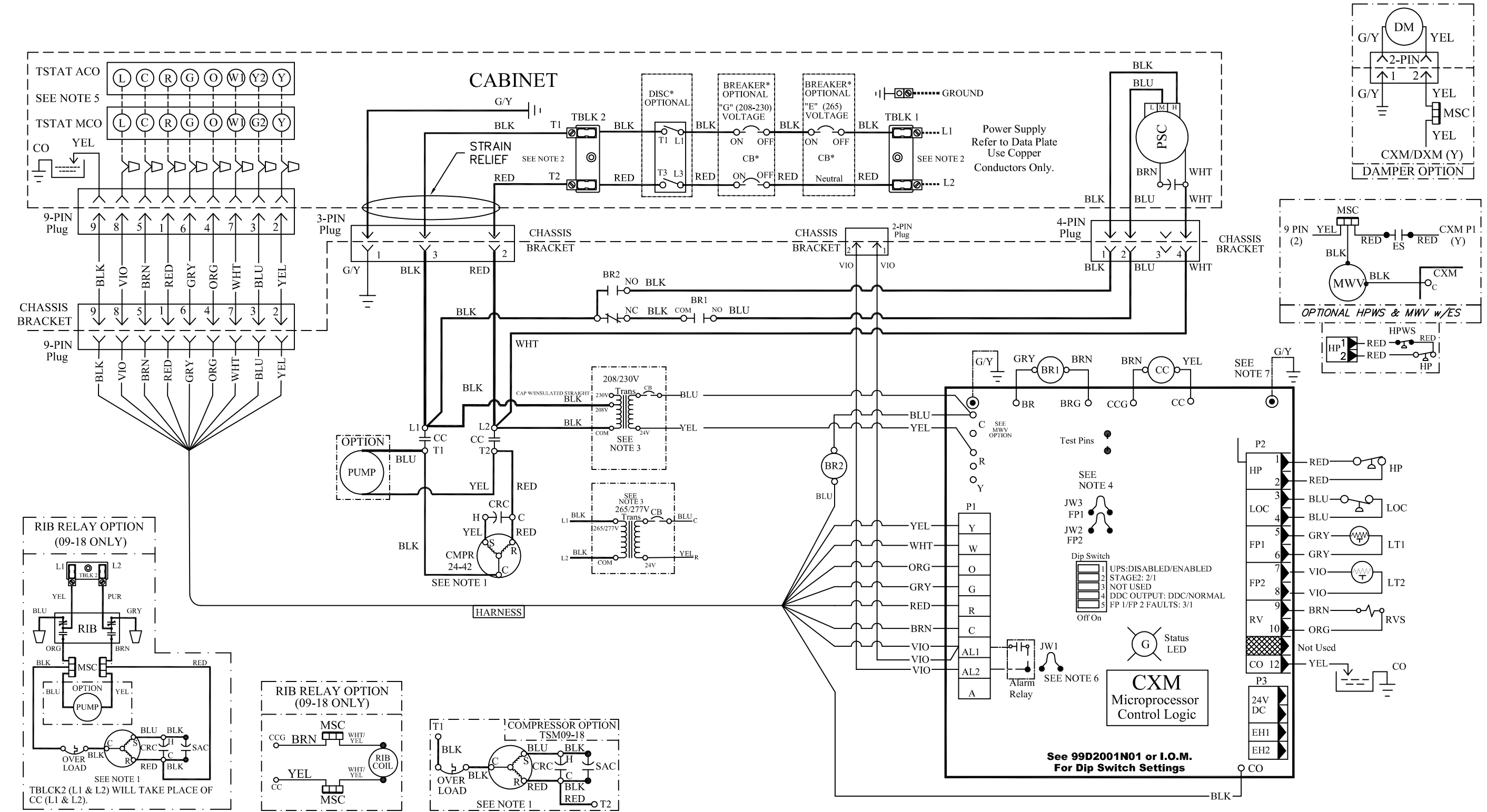
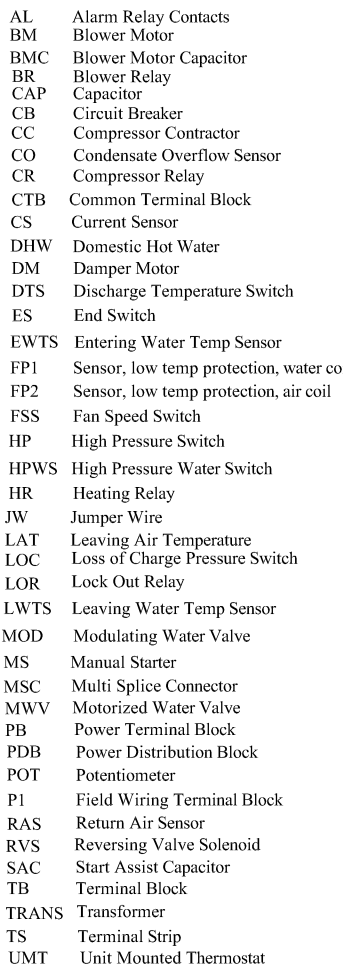


NOTES:

1. Compressor and Blower Motor thermally protected internally.
2. All wiring to the unit must comply with NEC and local codes low voltage wiring shall be Class 2 or equivalent.
3. Transformer wiring is voltage sensitive. Use layout corresponding to the unit voltage. For 208/230V Transformer will be connected for 208V operation. For 230V operation, disconnect BLK lead at Transf (208V) and attach Transf (230V). For 265/277V operation, Transformer will be connected to 265/277V.
4. FP1 provides low temperature protection for WATER. When using ANTI-FREEZE solutions, cut JW3 jumper.
5. Typical heat pump thermostat wiring shown. Refer to thermostat IOM for wiring to the unit. T-Stat wiring must be "Class 1" and voltage rating equal to or greater than unit supply voltage.

6. 24V Alarm signal shown. For Dry Alarm contact between AL1 & AL2, cut JW1 for CXM/DXM Gen2 or JW4 DXM.
7. Transformer Secondary Ground via CXM/DXM board standoffs and screws to Control Box.



SEE NOTE 1
TBLCK2 (L1 & L2) WILL TAKE PLACE OF CC (L1 & L2).

See 99D2001N01 or I.O.M.
For Dip Switch Settings