

**APPLICATION OF 702/703/704 MP CABINETS IN THIN WALLS**

Climate Master MP cabinets can be used on any size wall -- from a 1" panel wall to a 25" deep wall. This Application Note explains how an MP cabinet is used in a wall less than 10" in depth.

The smallest wall box available is a 10" wall box. When used in a thin wall application, this wall box is mounted flush to the outside wall. Part of the wall box will extend into the room, seen as dimension B in Figure 1. If the wall is 4" deep or less, support brackets are required. As with all installations, the wall box must be installed with the top level.

An added depth room cabinet is used in this application. The added depth cabinet contains the wall box mounting flange at the appropriate depth to mount the cabinet to the wall box. The cabinet completely covers the wall box.

Note also that the adjustable height kick plate grows in depth in proportion to the depth of the cabinet.

Wall Depth (inches)	Wall Box Depth (inches)	A Room Cabinet Depth (inches)	B Wall Box Extends Into Room (inches)	C Kick Plate Depth (inches)	Notes
1	10	19	9	15	(1)
2	10	18	8	14	(1)
3	10	17	7	13	(1)
4	10	16	6	12	(1)
5	10	15	5	11	
6	10	14	4	10	
7	10	13	3	9	
8	10	12	2	8	
9	10	11	1	7	
10	10	10	0	6	
11	11	10	0	6	
12	12	10	0	6	
13	13	10	0	6	
14	14	10	0	6	
15	15	10	0	6	
16	16	10	0	6	
17	17	10	0	6	
18	18	10	0	6	
19	19	10	0	6	
20	20	10	0	6	
21	21	10	0	6	
22	22	10	0	6	
23	23	10	0	6	
24	24	10	0	6	
25	25	10	0	6	

(1) Support legs required

# PRODUCT INFORMATION

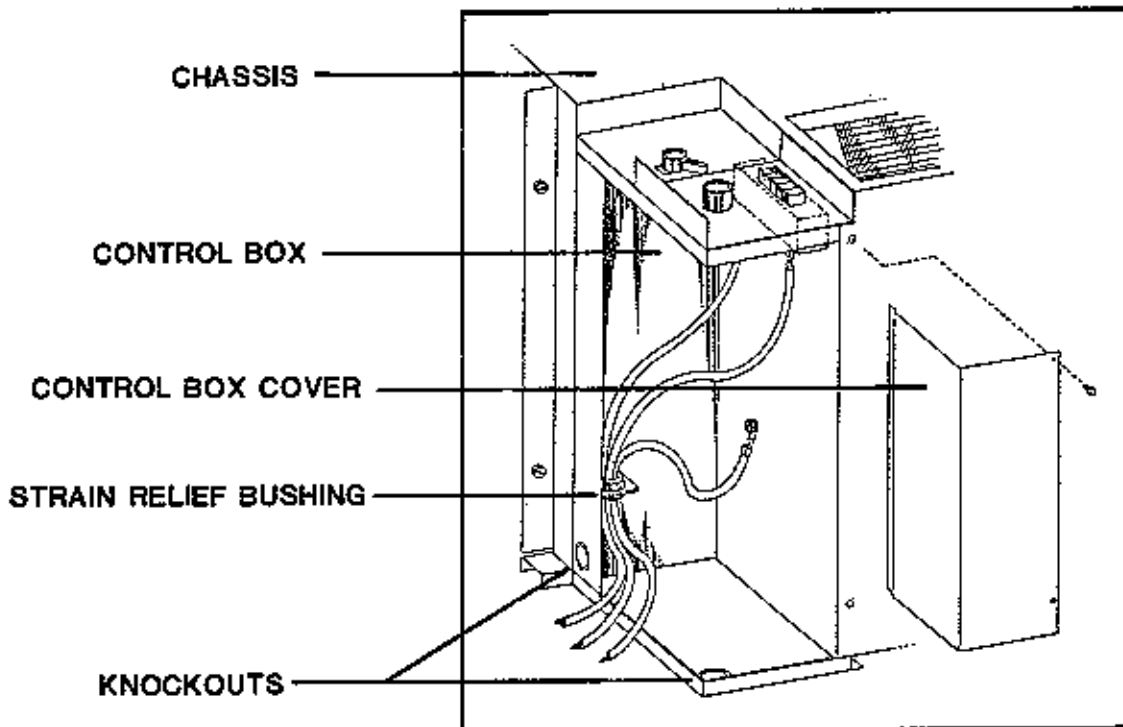
## 702/703/704 POWER WIRING

### 702/703/704 POWER WIRING

Climate Master 702/703/704 Series Packaged Terminal Air Conditioners and Heat Pumps are available with a number of different power wiring options to allow flexibility and economy during field installation.

AVAILABLE OPTIONS:

<u>Cabinet</u>	<u>Option</u>	<u>Notes</u>
SP and MP	Hardwired	Standard; see below.
SP and MP	With Line Cord only (Left or Right Hand)	Non-UL on 265V units, with hydronic heat, or with Adjoining Room Outlet.
SP	Line Cord with Receptacle Box (Subbase Mounting)	Left Hand Only; see Re- ceptacle Box (over).
MP	Line Cord with Receptacle Box (Cabinet Mounting)	Left or Right Hand; see Receptacle Box, Field Mounted (over).
SP and MP	Add Disconnect Switch to Receptacle Box	<b>Standard Power Wiring:</b> Green: Ground White: Neutral Black: Hot
SP and MP	Add Circuit Breaker to Receptacle Box	



Continuing engineering research results in steady improvements. Therefore, these specifications are subject to change without notice.

F-3073

Printed in U.S.A.

6/85

**Friedrich**  
Climate Master®

# PRODUCT INFORMATION

## 702 AUXILIARY POWER SUPPLY OPTION FOR EVAPORATOR FAN OPTION

The auxiliary power supply option on a steam or hot water heat 702 Series packaged terminal unit allows the unit to continue to heat the space on a loss of main power in the building. The compressor is not powered from the emergency power supply. The indoor fan and heating valve are powered from the emergency supply in normal operation as well as during power failure, which reduces the power requirements of the emergency power source.

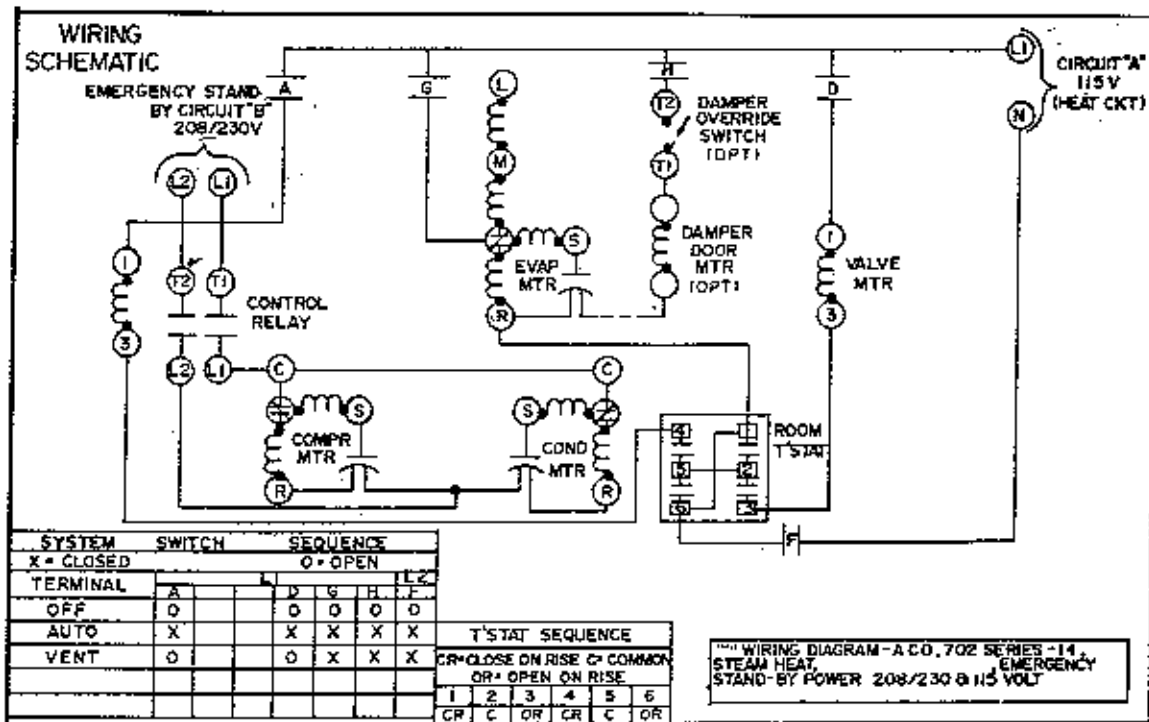
### Normal/Emergency Power:

Hydronic Heat Valve: 6.5 Watts  
Evaporator Fan Motor:

Model 702-06	60 Watts
702-08	90 Watts
702-12(B)	110 Watts
702-14	140 Watts

### Normal Power Only:

Use Compressor and Condenser Fan electric ratings from 702 Electric Data Information.



Continuing engineering research results in steady improvements. Therefore, these specifications are subject to change without notice.

F-3108 Printed in U.S.A. 2/86

**ClimateMaster**  
A COMBINATION OF CHP CORP AND  
FRIEDRICH CLIMATE MASTER, INC.

# INSTALLATION INSTRUCTIONS

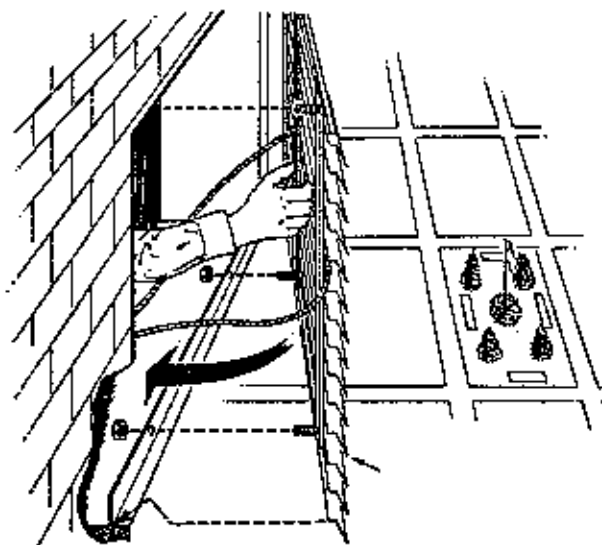
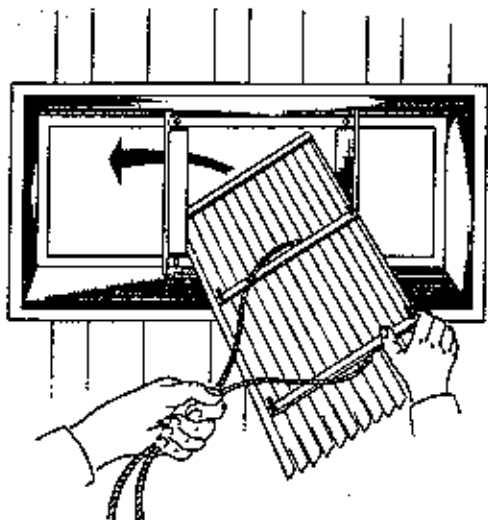
For

## ARCHITECTURAL OUTSIDE LOUVER

Series Part No. 722

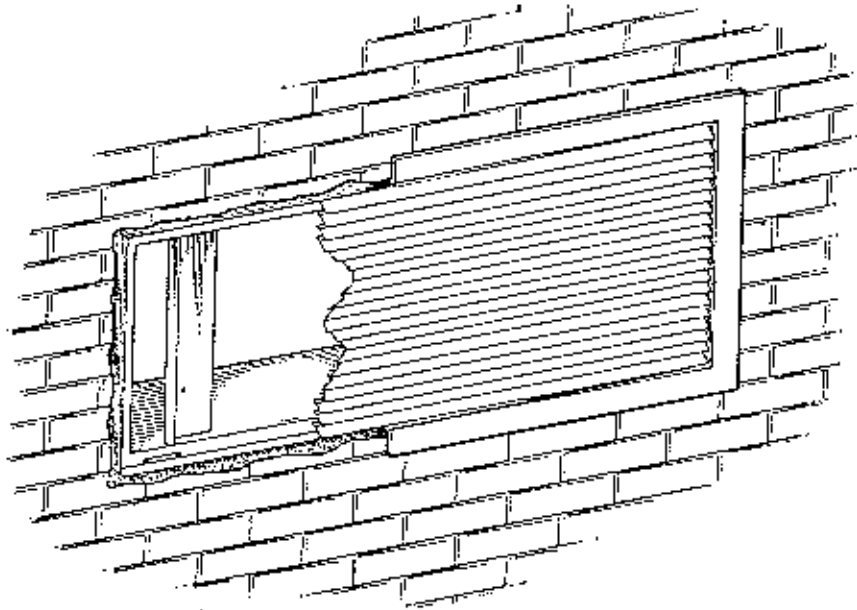
For Use With 702 / 703 / 704 MP & SP UNITS

1. Remove temporary weather panel from wall box or sleeve and discard.
2. Tie a safety line to louver to prevent it from falling during installation.
3. With safety line attached, insert louver through wall box or sleeve.
4. Turn louver so that vanes angle downward.
5. Align 4 bolts on louver with 4 holes in wall box or sleeve.
6. Pull louver tight against wall box or sleeve and tighten with 4 nuts provided.
7. Remove safety line.



# PRODUCT INFORMATION

## FLANGED LOUVER COLLAR



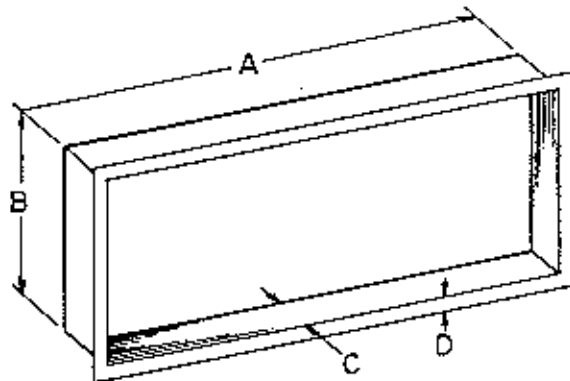
The flanged louver collar is designed to hide any imperfections on the exterior wall around a Climate Master 702, 703 or 704 Packaged Terminal Unit.

In retrofit applications in particular, it is not always possible to cut a clean hole in the wall. The flanged louver collar hides any chips or holes around the unit and gives a clean, neat and consistent appearance to the outside of the building.

### Specifications:

Material: Anodized aluminum (0.050")  
Available for SP or MP cabinet.

### Dimensions:



	SP	MP
A	40 1/4	36 3/4
B	16 1/16	16 3/16
C	2	2
D	1 1/4	1 1/4

**NOTE: OTHER SIDE**  
**IS 68393800**

Continuing engineering research results in steady improvements. Therefore, these specifications are subject to change without notice.

F-3065

Printed in U.S.A. 4/85

**Friedrich**  
**Climate Master**

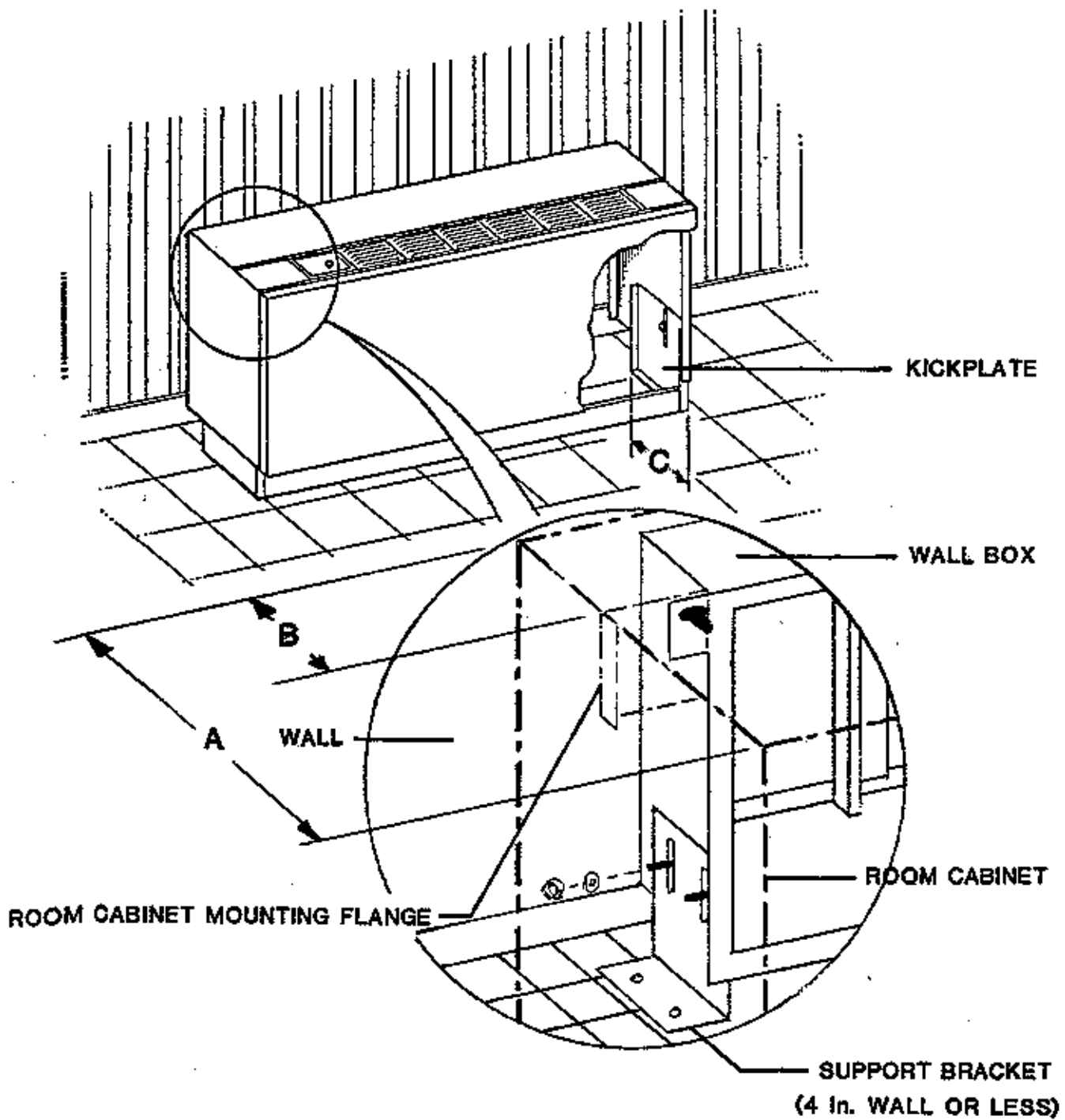


FIGURE 1

APPLICATION OF 702/703/704 MP CABINETS IN THIN WALLS

ADDITIONAL APPLICATIONS FOR 702/703/704  
FLANGED LOUVER COLLAR

(1) On inside wall:

With the SP cabinet, the flanged louver collar can be used on the inside wall around the unit, as shown in Figure #1. Contact the factory for details on painted (beige) flanged collars.

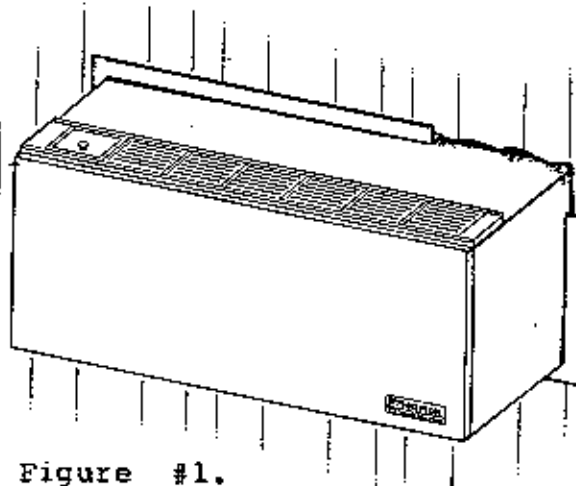


Figure #1.

(2) As wall box or cabinet sleeve extension:

The collar can be used to extend the depth of the wall box or sleeve up to one inch as shown in Figure #2.

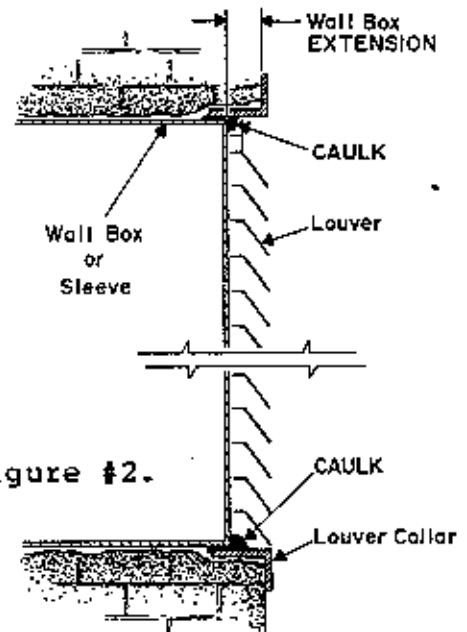


Figure #2.

742 SP Hydronic Sub Base

**Friedrich**  
Climate Master

