



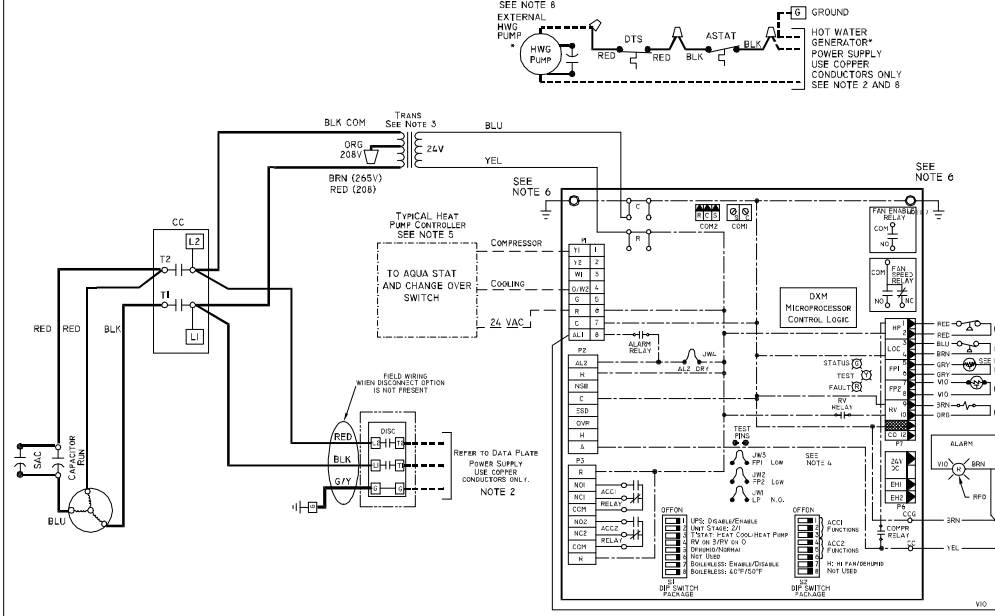
- LEGEND**
- FACTORY LINE VOLT WIRING
 - FACTORY LOW VOLT WIRING
 - FIELD LINE VOLT WIRING
 - FIELD LOW VOLT WIRING
 - PRINTED CIRCUIT TRACE
 - OPTIONAL WIRING
 - RELAY / CONTACTOR COIL
 - THERMISTOR
 - CONDENSATE PAN
 - CIRCUIT BREAKER
 - LED
 - SPLICE CAP

- CAPACITOR
- SOLENOID COIL
- RELAY CONTACTS - N.O.
- TEMPERATURE SWITCH
- SWITCH-HIGH PRESSURE
- SWITCH-LOSS OF CHARGE
- GROUND
- WIRE NUT

- AL ALARM RELAY CONTACTS
- ASTAT AQUASTAT
- CAP COMPRESSOR CAPACITOR
- CB CIRCUIT BREAKER
- CC COMPRESSOR CONTACTOR
- DISC UNIT DISCONNECT
- FPI SENSOR, SOURCE WATER LOW TEMP PROTECTION
- FP2 SENSOR, LOAD WATER LOW TEMP PROTECTION
- HP HIGH PRESSURE SWITCH
- HPTS HIGH (LEAVING) WATER TEMP. SWITCH
- LOC LOSS OF CHARGE PRESSURE SWITCH
- MV MOTORIZED VALVE (SOURCE WATER)
- PI FIELD WIRING TERMINAL BLOCK
- PB POWER TERMINAL BLOCK
- PDB POWER DISTRIBUTION BLOCK
- RVS REVERSING VALVE SOLENOID
- SAC START ASSISTANT CAPACITOR
- TRANS TRANSFORMER
- * OPTIONAL WIRING

- NOTES**
1. COMPRESSOR THERMALLY PROTECTED INTERNALLY.
 2. ALL WIRING TO THE UNIT MUST COMPLY WITH NEC & LOCAL CODES.
 3. TRANSFORMER IS WIRED TO 265V (BRN) LEAD FOR 265/1/60 UNITS, 230V (ORG) LEAD FOR 220-240/1/50, OR 208V (RED) LEAD FOR 208/1/60. FOR 230/1/60 SWITCH RED & ORG LEADS AT LI AND INSULATE RED LEAD. TRANSFORMER IS ENERGY LIMITING OR MAY HAVE CIRCUIT BREAKER.
 4. FPI THERMISTOR PROVIDES FREEZE PROTECTION FOR SOURCE WATER. WHEN USING ANTI-FREEZE SOLUTIONS, CUT JW3 JUMPER.
 5. CHECK INSTALLATION WIRING INFORMATION FOR CONTROLLER HOOKUP REFER TO CONTROL INSTALLATION INSTRUCTIONS FOR WIRING TO THE UNIT. CONTROL WIRING MUST BE "CLASS 1" AND VOLTAGE RATING EQUAL TO OR GREATER THAN UNIT SUPPLY VOLTAGE.

6. TRANSFORMER SECONDARY GROUND VIA DXM BOARD STANDOFFS & SCREWS TO CONTROL BOX. (GROUND AVAILABLE FROM TOP TWO STANDOFFS AS SHOWN.)
8. AQUA STAT IS SUPPLIED WITH UNIT AND MUST BE WIRED IN SERIES WITH THE HOT LEG TO THE PUMP. AQUA STAT IS RATED FOR VOLTAGE UP TO 277V.



DXM CONTROLLER FAULT CODES

OPERATION	STATUS LED (GREEN)	TEST LED (YELLOW)	FAULT LED (RED)	ALARM RELAY
NORMAL MODE	ON	OFF	NOTE: 2	OPEN
DXM IS NON-FUNCTIONAL	OFF	OFF	NOTE: 2	OPEN
TEST MODE	-	ON	NOTE: 2	CYCLE (NOTE 3)
NIGHT SETBACK	FLASHING CODE 2	-	NOTE: 2	-
EMERGENCY SHUT DOWN	FLASHING CODE 3	-	NOTE: 2	-
INVALID T-STAT INPUTS	FLASHING CODE 4	-	NOTE: 2	-
NO FAULT IN MEMORY	ON	OFF	FLASHING CODE 1	OPEN
HP: FAULT / (LOCKOUT) NOTE: 1	SLOW FLASH (FAST FLASH)	OFF	FLASHING CODE 2	OPEN / (CLOSED)
LP: FAULT / (LOCKOUT) NOTE: 1	SLOW FLASH (FAST FLASH)	OFF	FLASHING CODE 3	OPEN / (CLOSED)
FPI: FAULT / (LOCKOUT) NOTE: 1	SLOW FLASH (FAST FLASH)	OFF	FLASHING CODE 4	OPEN / (CLOSED)
FP2: FAULT / (LOCKOUT) NOTE: 1	SLOW FLASH (FAST FLASH)	OFF	FLASHING CODE 5	OPEN / (CLOSED)
CO: FAULT / (LOCKOUT) NOTE: 1	SLOW FLASH (FAST FLASH)	OFF	FLASHING CODE 6	OPEN / (CLOSED)
OVER-UNDER VOLTAGE	SLOW FLASH	OFF	FLASHING CODE 7	OPEN (NOTE 4)
NORMAL MODE W/UPS	ON	OFF	FLASHING CODE 8	CYCLE (NOTE 5)
SWAPPED FPI/FP2 LOCKOUT	FAST FLASH	OFF	FLASHING CODE 9	CLOSED

1. STATUS LED (GREEN): SLOW FLASH - CONTROLLER IN FAULT RETRY MODE, FAST FLASH - CONTROLLER IN LOCKOUT MODE
2. SLOW FLASH = 1 FLASH PER EVERY 2 SECONDS, FAST FLASH = 2 FLASHES PER EVERY 1 SECOND.
3. FAULT LED (RED) FLASHES A CODE REPRESENTING LAST FAULT IN MEMORY. IF NO FAULT IN MEMORY, CODE 1 IS FLASHED.
3. CYCLES APPROPRIATE CODE: BY CYCLING ALARM RELAY IN THE SAME SEQUENCE AS FAULT LED.
4. ALARM RELAY CLOSURES AFTER 15 MINUTES.
5. ALARM RELAY CYCLES: CLOSED FOR 5 SECONDS AND OPEN FOR 25 SECONDS.....

