

### Application

The T87F Universal Thermostat provides temperature control for 24 to 30 Vac residential heating, cooling or heating-cooling systems. For heating systems, the T87F mounts on the wallplate provided. For cooling only, or heating-cooling, use the 137421A Heating-Cooling Wallplate (included) with remote switching, or order the Q539 Subbase, which provides switching at the thermostat location.

The spdt switch makes one set of contacts on a temperature fall to operate the heating system. The other set of contacts make on a temperature rise to operate the cooling system when the T87F is used to control cooling.

Heat anticipation is adjustable, 0.1 to 1.2A.



### Mercury Notice

This control contains mercury in a sealed tube. Do not place control in the trash at the end of its useful life.

If this control is replacing a control that contains mercury in a sealed tube, do not place your old control in the trash.

Contact your local waste management authority for instructions regarding recycling and the proper disposal of this control, or of an old control containing mercury in a sealed tube.

## Installation and Setting

### WHEN INSTALLING THIS PRODUCT...

1. Read these instructions carefully. Failure to follow them could damage the product or cause a hazardous condition.

2. Check the ratings given in the instructions and on the product to make sure the product is suitable for your application.

3. Installer must be a trained, experienced service technician.

4. After installation is complete, check out product operation as provided in these instructions.

### CAUTION



1. Disconnect the power supply before beginning installation to prevent electrical shock or equipment damage.
2. Do not short across coil terminals on relay. This may burn out the heat anticipation.

NOTE: The T87F was carefully adjusted at the factory. Handle the thermostat carefully; rough handling may decrease its accuracy.

### LOCATION

Select a location about 1.5 m [5 ft.] above the floor in an area with good air circulation at average temperature.

Do not mount thermostat where it may be affected by—

- drafts or dead spots behind doors and in corners.
- hot or cold air from ducts.
- radiant heat from the sun or appliances.
- concealed pipes and chimneys.
- unheated (uncooled) areas behind the thermostat.

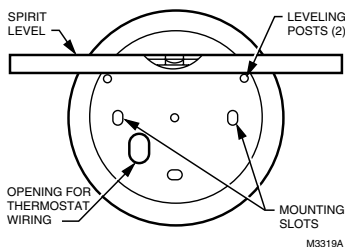
### MOUNTING WALLPLATE OR SUBBASE (Fig. 2)

#### IMPORTANT:

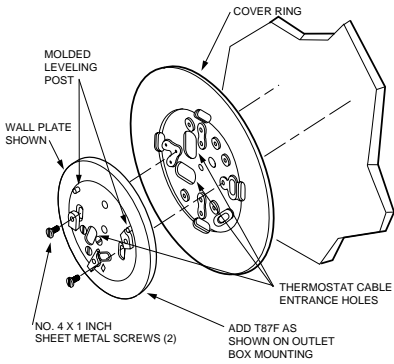
1. Use spirit level to accurately level the wallplate or subbase as in Fig. 1. Inaccurate leveling may cause thermostat control deviation.
2. When using the T87F with a Q539 Subbase, follow the mounting and wiring instructions included with the subbase.
  1. Place the wallplate on the wall at the desired location. Pull the thermostat cable through the entrance hole.
  2. Fasten wallplate. Do not tighten the screws.
  3. Level according to Fig. 1; then tighten screws.
  4. After wiring wallplate, plug hole to prevent drafts from affecting thermostat.

NOTE: To mount T87 Thermostat on an outlet box, order 129044A Adapter Ring Assembly.

Fig. 1—Leveling wallplate or subbase with spirit level.



**Fig. 2—Mounting wallplate or subbase to wall.**



**WIRING**

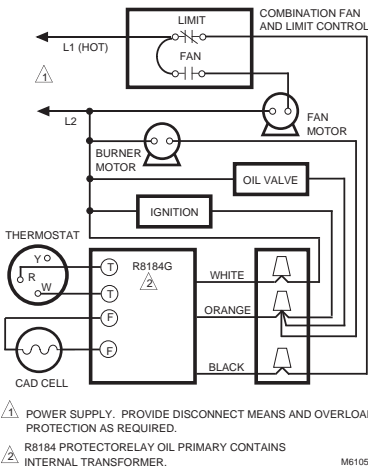
All wiring must comply with local electrical codes and ordinances. Disconnect power supply before connecting wiring to prevent electrical shock or equipment damage.

The T87F is adaptable to most 2-wire, 24 to 30 volt heating systems, and to most 3-wire, 24 to 30 volt heating systems controlled by a Series 10 Thermostat. The following hookups are typical applications. See Figs. 3-6. When using the T87F for cooling control, refer to the hookups in the Q539 Subbase instructions.

For variations of these systems, refer to the installation instructions of the controlled equipment.

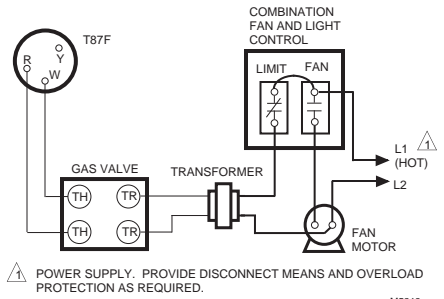
After wiring the wallplate, plug the hole to prevent drafts that may affect the thermostat.

**Fig. 3—T87F used for 2-wire, spst control of heating only in a typical oil system. Low voltage power for the control circuit is supplied by a transformer in the oil primary control.**



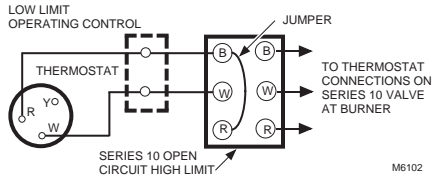
M6105

**Fig. 4—T87F used for 2-wire, spst control of heating only in a typical gas system.**



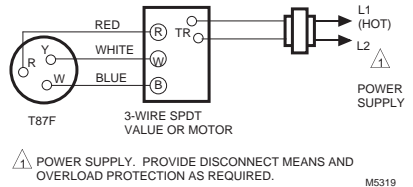
M5318

**Fig. 5—T87F replacing a series 10 thermostat connected to a 3-wire, open-contact, high-limit control.**



M6102

**Fig. 6—T87F used for series 20, 3-wire, spdt control of low-voltage motors and electric radiator valves. Used in applications where thermostat makes contact on both a rise and fall in room temperature.**



M5319

**MOUNTING THERMOSTAT TO WALLPLATE OR SUBBASE**

To remove standard cover; pull ring outward with fingertips, pressing lightly on dial with thumbs.

To remove locking cover; loosen the three screws along the cover edge with the Allen wrench supplied. Remove the cover as indicated above.

Remove and discard the plastic insert protecting the mercury switch.

Align the thermostat over the wallplate and tighten the three captive mounting screws. These captive screws complete the electrical connections to the thermostat. Adjust heat anticipator to match current rating of primary control. See Fig. 7.

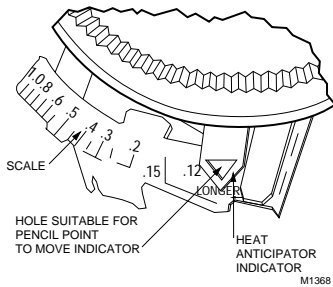
## HEAT ANTICIPATOR SETTING

If the T87F is used for 3-wire, spdt, heating-only (series 20) control (Fig. 6), set the heat anticipator for 1.2 (far left end of scale). A fixed resistor type heater is provided in the 137421A Wallplate for this application. For other control applications, proceed as follows.

Adjust anticipator to match current rating of primary control. Rating is usually stamped on the control nameplate. Move the indicator to the marking that matches this rating. Indicator may be moved with fingers or pencil point through hole shown in Fig. 7. If the current rating is not given, proceed as follows before mounting the thermostat:

1. Connect an ac ammeter of appropriate range (0 to 2.0A, for example) between the R and W terminals on the wallplate or subbase.
2. Let the system operate for one minute before reading the ammeter.
3. Move the anticipator indicator to match the ammeter reading.

Fig. 7—Setting heat anticipator current rating.



A slightly higher setting to obtain longer burner-on times (fewer cycles per hour) may be desirable on some systems.

## RECALIBRATION

The T87F is calibrated at the factory and no recalibration should be necessary. If the thermostat is accurately leveled and still appears to be out of calibration, order 104994A Calibration Wrench. Instructions for recalibrating are furnished with the wrench.

## Checkout

### HEATING

Turn down temperature setting to lowest point. If subbase or remote switching is used, move system switch to HEAT position. Raise temperature setting until heating equipment starts. This point should be at room temperature as indicated on the thermometer. Turn back dial slowly. Heating equipment should stop when dial has been turned below room temperature.

### COOLING



## CAUTION

1. Do not operate cooling if outdoor temperature is below 10° C [50° F]. Refer to manufacturer's recommendations.
2. Allow 5-minute off-time after compressor has been run to avoid compressor damage.

If T87F controls cooling, move system switch (if used) to call for COOL and lower setting until cooling equipment starts. Raise setting above room temperature and cooling system should shut down. Make certain all equipment responds properly to the thermostat.

# Honeywell

---

**Automation and Control Solutions**

Honeywell	Honeywell Limited—Honeywell Limitée
1985 Douglas Drive North	35 Dynamic Drive
Golden Valley, MN 55422	Scarborough, Ontario
	M1V 4Z9

60-1175—3 G.H. Rev. 8-02



Printed in U.S.A. on recycled  
paper containing at least 10%  
post-consumer paper fibers.

[www.honeywell.com/yourhome](http://www.honeywell.com/yourhome)