

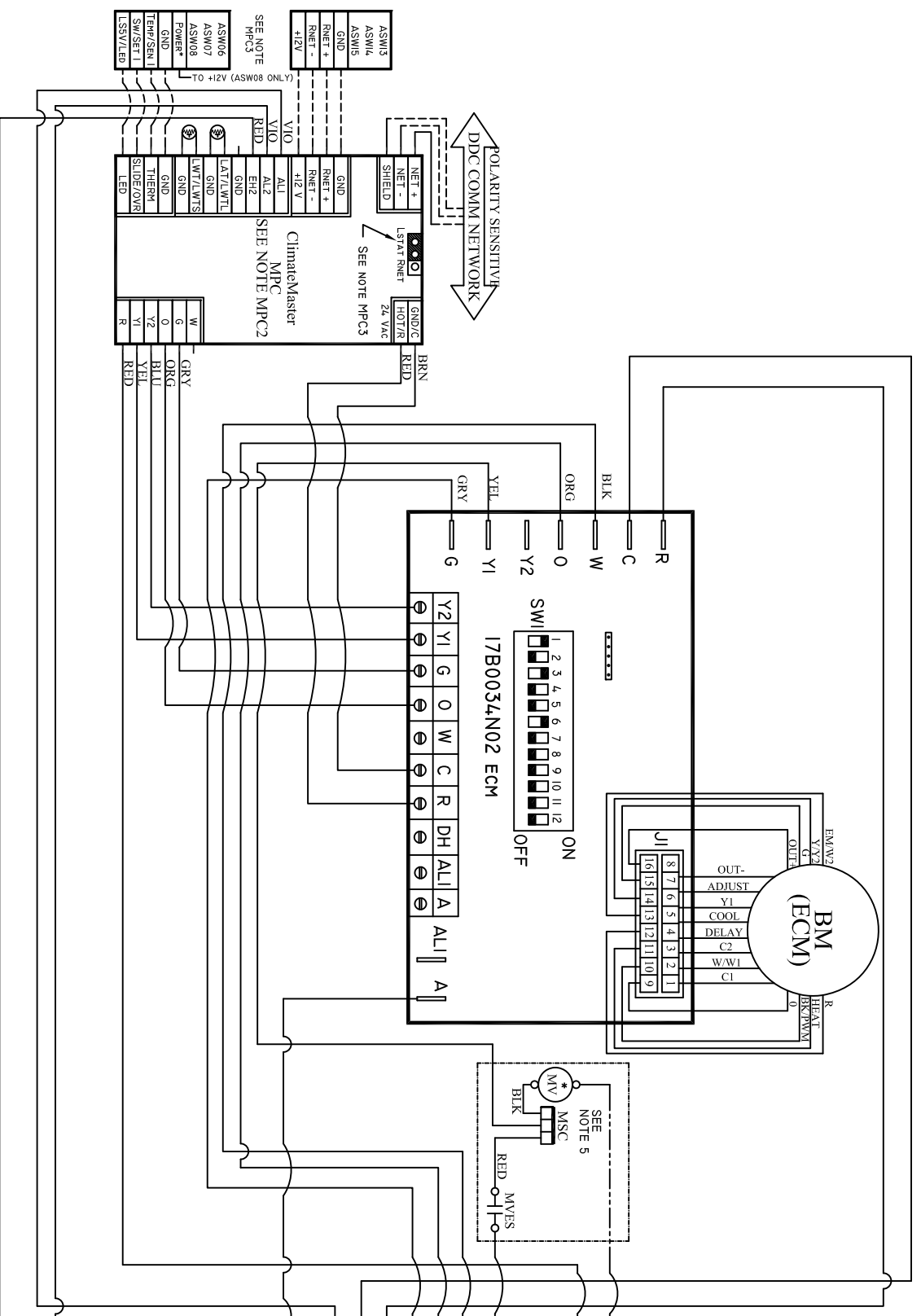
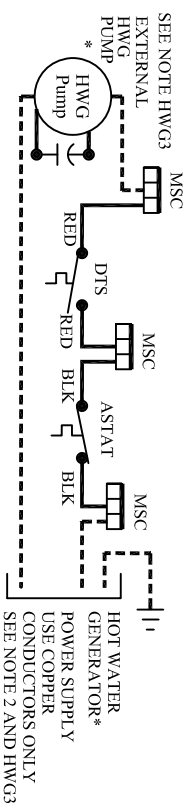
LEGEND

- Factory Low voltage Wiring
- Factory Line Voltage Wiring
- Field Low voltage Wiring
- Field Line voltage Wiring
- Printed Circuit Trace
- Optional Wiring
- Optional Block
- Capacitor
- Circuit Breaker
- Condensate Pan
- Ground
- High Pressure Switch
- LED
- Low Pressure Switch
- Mate-N-Lock
- Multi Splice Connector
- Optional
- OVERLOAD
- Relay contacts - N.C.
- Relay contacts - N.O.
- Relay / Contactor Coil
- Solenoid Coil
- Splice Cap
- Temperature Switch
- Thermistor
- Wire Nut

- AL Alarm Relay Contacts
- BM Blower Motor
- BMC Blower Motor Capacitor
- BR Blower Relay
/>
- CAP Capacitor
- CB Circuit Breaker
- CC Compressor Contactor
- CO Condensate Overflow Sensor
- CR Compressor Relay
- CTB Common Terminal Block
- CS Current Sensor
- DHW Domestic Hot Water
- DM Damper Motor
- DTS Discharge Temperature Switch
- ES End Switch
- EWTs Entering Water Temp Sensor
- FP1 Sensor, low temp protection, water coil
- FP2 Sensor, low temp protection, air coil
- FSS Fan Speed Switch
- HP High Pressure Switch
- HPWS High Pressure Water Switch
- HR Heating Relay
- JW Jumper Wire
- LAT Leaving Air Temperature
- LOC Loss of Charge Pressure Switch
- LOR Lock Out Relay
- LWTS Leaving Water Temp Sensor
- MOD Modulating Water Valve
- MS Manual Starter
- MSC Multi Splice Connector
- MWV Motorized Water Valve
- PB Power Distribution Block
- PDB Power Distribution Block
- POT Potentiometer
- P1 Field Wiring Terminal Block
- RAS Return Air Sensor
- RVS Reversing Valve Solenoid
- SAC Start Assist Capacitor
- TB Terminal Block
- TRANS Transformer
- TS Terminal Strip
- UMT Unit Mounted Thermostat

- NOTES:
- Compressor and Blower Motor thermally protected internally.
 - All wiring to the unit must comply with NEC and local codes.
 - Transformer is wired to 265 V (BRN) lead for 265/60/1 units, 230V (ORG) Lead for 220-240/50/1, or 208V (RED) lead for 208/60/1. For 230/60/1 switch RED & ORG leads at L1 and insulate RED lead.
 - FP1 provides low temperature protection for WATER. When using ANTI-FREEZE solutions, cut JW3 jumper.
 - Typical heat pump thermostat wiring shown. Refer to thermostat IOM for wiring to the unit. T-Stat wiring must be "Class 1" and voltage rating equal to or greater than unit supply voltage.

- RESERVED
- Transformer Secondary Ground via CXM/DXM board standoffs and screws to Control Box.
- AQUA STAT is supplied with unit and must be wired in series with the hot leg to the pump. Aqua stat is rated for voltage up to 277V.
- MPC1. Factory cut JW1 (CXM) or JW4 (DXM) jumper. Dry Contact will be available between AL1 and AL2.
- MPC2. Refer to MPC1 Installation application, and Operation Manual For Control Wiring to the unit.
- ASW sensors are not required on Water-Water application. ASW06-ASW08 (Water-Air Only) move jumper to LSTAT. ASW13-ASW15 move jumper to Rnet.
- SAC2. Use start assist capacitor only on unit size 006-018. For residential units 015-018, SAC may need to be strapped to capacitor.



ECM BOARD DIP SWITCH SETTINGS

COOL	CFM	CFM	HEAT	EH	CFM	ADJ	CFM
SPD	SW1	SW2	SPD	SW3	SW4	SPD	SW5
1	ON	ON	1	ON	ON	1	ON
2	ON	ON	2	ON	ON	2	ON
3	OFF	ON	3	OFF	ON	3	OFF
4	OFF	OFF	4	OFF	OFF	4	OFF
DEHUM	ON	NORM	UNUSED	UNUSED	UNUSED	UNUSED	UNUSED
SW9	ON	NORM	UNUSED	UNUSED	UNUSED	UNUSED	UNUSED
SW10	ON	NORM	UNUSED	UNUSED	UNUSED	UNUSED	UNUSED
SW11	ON	NORM	UNUSED	UNUSED	UNUSED	UNUSED	UNUSED
SW12	ON	NORM	UNUSED	UNUSED	UNUSED	UNUSED	UNUSED

