

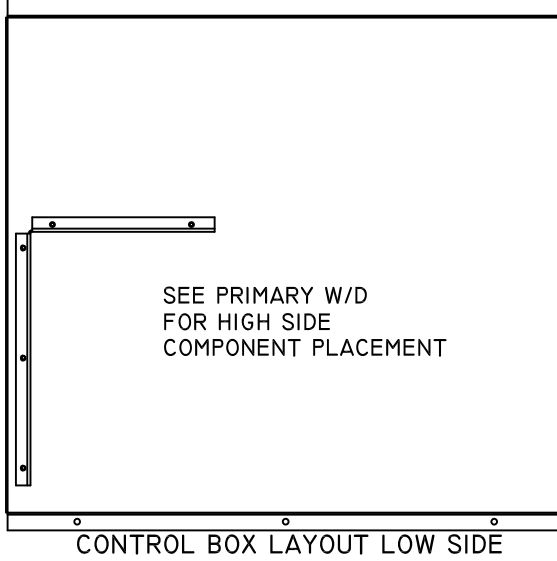
- LEGEND**
- Factory Low voltage Wiring
 - Factory Line Voltage Wiring
 - - - Field Low voltage Wiring
 - - - Field Line voltage Wiring
 - - - Printed Circuit Trace
 - - - Optional Wiring
 - - - Optional Block Capacitor
 - ⊞ Circuit Breaker
 - ⊞ Condensate Pan
 - ⊞ Ground
 - ⊞ High Pressure Switch
 - ⊞ LED
 - ⊞ Low Pressure Switch
 - ⊞ Mate-N-Lock
 - ⊞ Multi Splice Connector
 - * Optional
 - OVERLOAD
 - ⊞ Relay contacts - N.C.
 - ⊞ Relay contacts - N.O.
 - ⊞ Relay / Contactor Coil
 - ⊞ Solenoid Coil
 - ⊞ Splice Cap
 - ⊞ Temperature Switch
 - ⊞ Thermistor
 - ⊞ Wire Nut

NOTES:

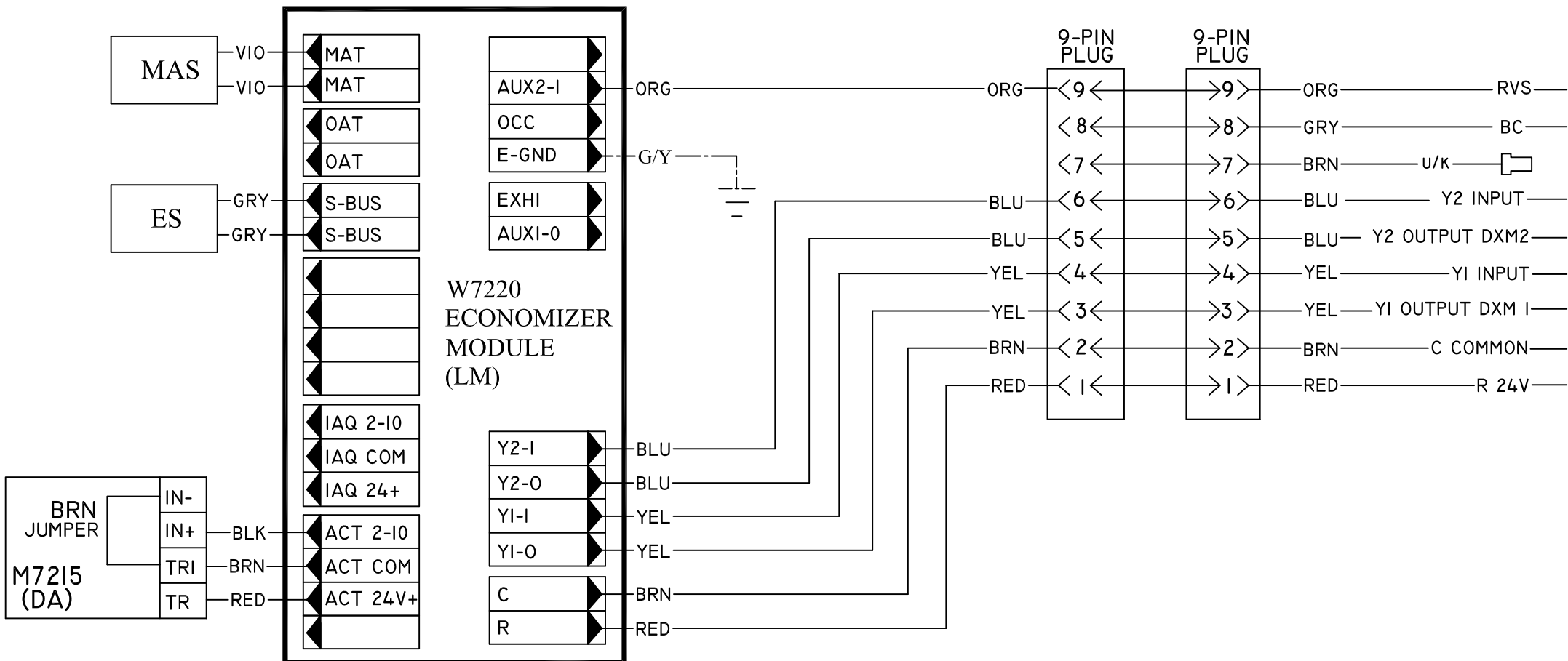
2. All wiring to the unit must comply with NEC and local codes low voltage wiring shall be Class 2 or equivalent.

ECO2. Refer to ECON Installation, Application, and Operation Manual for control wiring to the unit.

ECON OPTION



- AL Alarm Relay Contacts
- BM Blower Motor
- BMC Blower Motor Capacitor
- BR Blower Relay
- CAP Capacitor
- CB Circuit Breaker
- CC Compressor Contractor
- CO Condensate Overflow Sensor
- CR Compressor Relay
- CTB Common Terminal Block
- CS Current Sensor
- DHW Domestic Hot Water
- DM Damper Motor
- DTS Discharge Temperature Switch
- ES End Switch
- EWTS Entering Water Temp Sensor
- FP1 Sensor, low temp protection, water coil
- FP2 Sensor, low temp protection, air coil
- FSS Fan Speed Switch
- HP High Pressure Switch
- HPWS High Pressure Water Switch
- HR Heating Relay
- JW Jumper Wire
- LAT Leaving Air Temperature
- LOC Loss of Charge Pressure Switch
- LOR Lock Out Relay
- LWTS Leaving Water Temp Sensor
- MOD Modulating Water Valve
- MS Manual Starter
- MSC Multi Splice Connector
- MWV Motorized Water Valve
- PB Power Terminal Block
- PDB Power Distribution Block
- POT Potentiometer
- P1 Field Wiring Terminal Block
- RAS Return Air Sensor
- RVS Reversing Valve Solenoid
- SAC Start Assist Capacitor
- TB Terminal Block
- TRANS Transformer
- TS Terminal Strip
- UMT Unit Mounted Thermostat



SEE PRIMARY W/D FOR PROPER WIRING METHOD FOR 9 PIN FEMALE PLUG.