

**NON-PROGRAMMABLE
HEAT PUMP THERMOSTAT**

**APPLICATION, OPERATION
& MAINTENANCE**

Revised: 15 April, 2016

ATM 1 1 C 0 1



ATM 1 1 C 1 1



ATM11C01 & ATM11C11

Revised.: 04/15/16

Specifications:

Set-point Temperature Range: 45F-95F (4C-37C)

Three Minutes Delay in Heating and Cooling

Accuracy: ±2F

Power Source: Power Stealing, 24V Max. (AC or DC)

Load Rating: 1 Amp maximum

Fan Control: selectable from Auto (cycle with system) and ON (continuous)

System: Heat/off/Cool

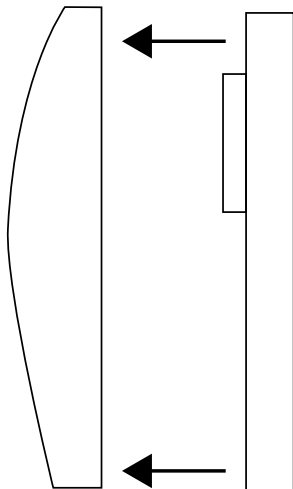
Stages: 1 Stage heating/1 stage cooling

Heating/Cooling Delay: 3 minutes

Case Color: White



Figure 1: Thermostat Side View



1. Remove old thermostat from wall, record the wire colors and terminals below.

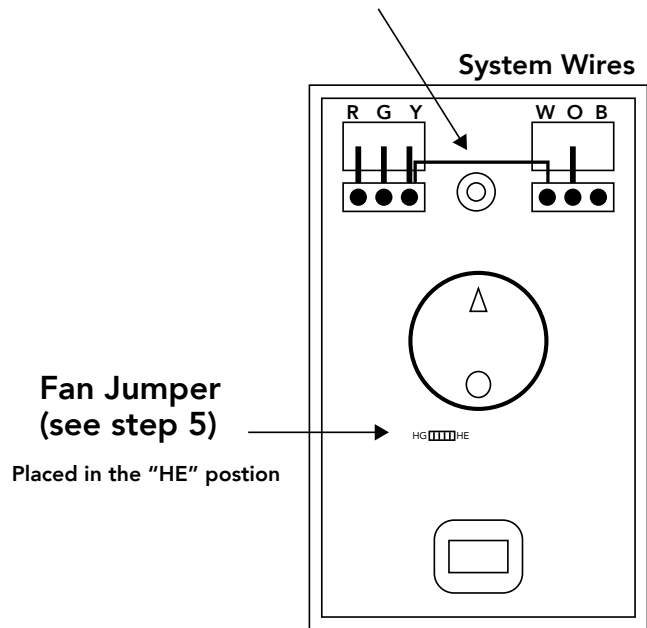
Old Thermostat:	Thermostat Terminals:
_____	R - System Power Supply
_____	Y - Compressor
_____	O - Reversing Valve
_____	G - Fan Control

Note:

- a. "W" terminal must be jumper to "Y" for heat pump operation.
- b. "Y" and "W" may be used for older heat pumps, which require a separate heating "W" and cooling "Y" connection.
- c. "B" is used instead of "O" for heat pumps with reversing valve energized in heat.

Figure 2: Jumper

Jumper wire for heat pump applications. May be removed if system is Heat/Cool Std. Type.



2. Remove the thermostat cover by pulling outward on the right edge of the cover until it snaps free from the thermostat base.
3. Mount the base with the hardware provided. Fig 2
4. Attach the existing system wire as noted above. See Fig. 2
5. Fan Jumper (Electric or Gas fan)
Place the jumper to "HE" position if the system is electric heat or heat pump.
Place the jumper to "HG" position, if the system is gas/oil heat.

Note: Remove the knob to access the jumper pins.

6. **System Switching:**

Heat: Controls the heating system

Off: Turns on the heating and cooling systems

Cool: Controls the cooling system

7. **Fan Switching:**

Auto: Gas/Oil fired systems, the blower operates in response to the thermostat in both heat and cool, if the jumper is set in "HE" position (See Electric or Gas fan) See fig. 2

⚠ CAUTION! ⚠

Do not check system operation by shorting across terminals of the thermostat. Can cause damage to the control.

Heating:

With system switch set at HEAT and fan switch at AUTO, rotate the Temp. knob about 10°F above the room temperature.

GAS or Oil system - Heating system will start when the temperature dial knob is rotated 10°F above room temperature (after a three minutes short cycle protection). Turn the knob 10°F below the room temperature the heat and blower should turn "OFF" after a short delay.

Central heat or heat pump - with the jumper in (HE) position heating and fan will start after 3 minutes short cycle time delay, when knob is rotated 10°F above room temperature. When knob is rotated 10°F below room temperature, heating and fan will turn off after a short delay.

Note: Some manufacturer's equipment includes a separate time delay that may extend the time delay when system stats or turns off.

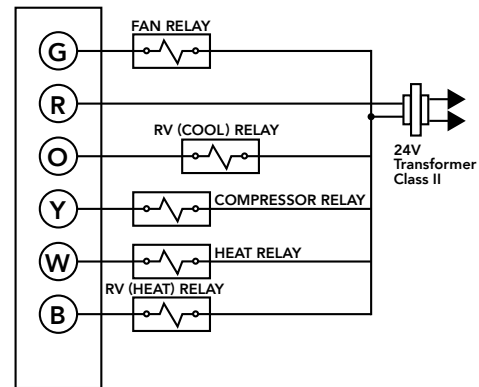
Cooling:

With system switch set at COOL and fan switch at Auto. Rotate the Temp. knob about 10°F below the room temperature.

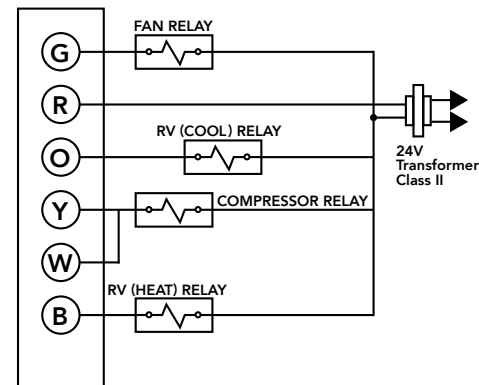
Cooling and fan should start after 3 minutes (see Note above).

Rotate the Temp. knob to 10°F above the room temp, cooling and blower will shut down after 15 seconds.

Typical Thermostat Wiring:



Heat/Cool system



Heat pump system

If you have any of the following problems:

A. if the power stealing model does not turn On and Off properly

B. Heat shuts off prematurely or relay chatters; no heating/cooling when in call

Install - the power resistor enclosed in the box shall be connected across the load or relay coil.

Warranty:

This thermostat has a limited warranty of 1 year against poor workmanship, not meeting product specifications. No other liability will be incurred other than replacing the defective product, for complete warranty details contact the factory.

ATM11C01 & ATM11C11

Revised.: 04/15/16

Revision History

Date:	Item:	Action:
04/15/16	Revised Text	Updated
08/09/13	First Published	

We work continually to improve our products. As a result, the design and specifications of each product at the time of order may be changed without notice and may not be as described herein. Please contact our Customer Service Department at 1-405-745-6000 for specific information on the current design and specifications. Statements and other information contained herein are not express warranties and do not form the basis of any bargain between the parties, but are merely our opinion or commendation of its products.