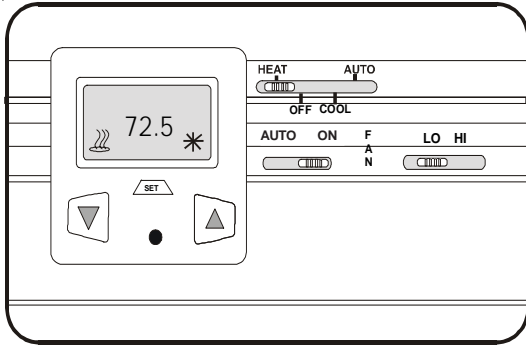


# Model ATA11C04 Thermostat

Model ATA11C04  
1 Stage Heat  
1 Stage Cool  
Auto Mode



## Package Contents:

- 1 ea. Thermostat
- 1 ea. Back Plate
- 1 ea. Remote Sensor Assembly
- 2 ea Self tapping screw 3/4" long
- 2 ea. Wall anchors
- 1 ea. Instruction manual

## Description:

The ATA11CO4 series is a digital thermostat with modes being heat, cool and auto change-over with 2 speed fan and manual adjustment.

## Specifications:

Temperature range: 32°F to 113°F  
0°C to 45°C

Accuracy:  $\pm 1^\circ\text{F}$

Display: LCD

Load rating: Fan - 7 Amps; Heat/Cool 2 amps

Temperature Sampling: every 1 minute

Control range: Heat 36°F to 94°F  
Cool 40°F to 98°F

Physical dimensions: 4.6 L x 2.8 W x 1.1 D

## Display of Room or Set Point:

The room temperature will appear after the set point has been displayed for 3 seconds.

To read "set point" press "SET".

## Heat mode:

When the room temperature drops below the set point by the number of degrees of the differential, the heating will turn on and the icon will display. The heat will run until the heat setting is reached, Heat icon flashing.

## Cool mode:

When the room temperature rises above the set point by the number of degrees of the differential, the cooling will turn on and the icon will display. The cool will run until the cool setting is reached, cooling will turn off and Cool icon flashing

## Auto mode:

1. Move system switch to Heat mode.  
Select desired temperature for Heat mode
2. Move system switch to Cool mode  
Select desired temperature for Cool mode

## Auto mode cont'd.:

3. Slide system switch to Auto mode.

Example:

Heat = 68

Cool = 72

Note: make sure there is 4° dead band or more between Heating and Cooling.

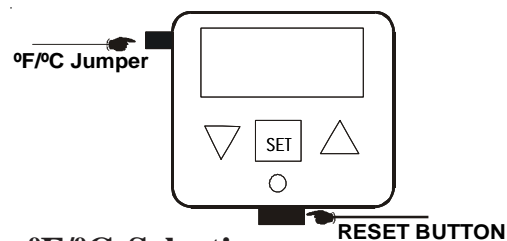
Otherwise the thermostat will automatically push the cooling 4° below heating.

## Temporary Time Delay Override:

- 1- Select system mode (HEAT or COOL)

- 2- Press Reset Button.

Reset Button is located under the display case.



## °F/°C Selections:

- 1- Turn Power OFF
- 2- Jumper, Located at top left of display case.
- 3- Remove the Jumper for °C selection.  
Jumper ON for °F selection.
- 4- Turn Power ON.
- 5- Press RESET if desired Measurement has not been changed

## Differential:

- 1- Press ▲ and ▼ together for 10 seconds.
- 2- Display will show 1° and Diff
- 3- Press ▲ or ▼ to change the selections from .5, 1, 1.5, 2



# Model ATA11C04 Thermostat

## Installation:

Be certain the power is turned off to the thermostat.

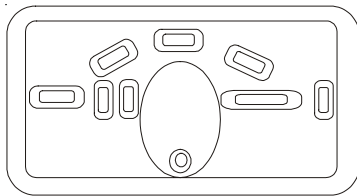
All wiring and installation must conform to all local and state codes. UL type Class II transformer must be used with 24 VAC model thermostats.

## Location:

Place the thermostat in a central location where the family spends most of its time, such as family or living room, etc. Do not mount the thermostat next to any doors, on outside walls, near drafts, HVAC supply air, etc.

### 1. Mount Back Plate:

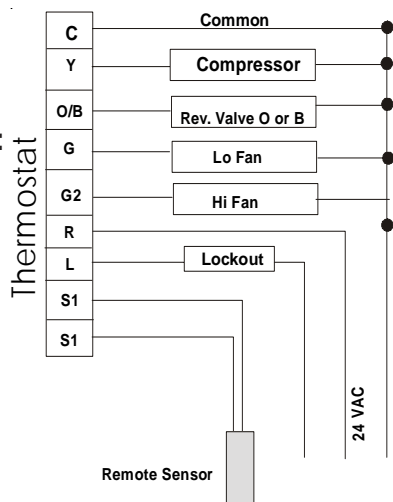
Using 2 screws with anchors install Mounting Plate.



### 2. Disconnect the front cover of thermostat.

- Mount the thermostat on the mounting plate supplied using the 2 screws.
- Pull the wires through the wire hole and install the wires to the terminal block. See wiring diagram.

## Wiring Diagram:



After wiring is completed place cover on the thermostat.

## Testing:

- Program the Time delay.
- Program the Differential.
- Slide the Switch to “Heat” raise the setting to at least 5 °F above the room temperature. Heat icon shall energize after time delay period. When temperatures reaches set point heat will turn off.
- Slide the Switch to “Cool” lower the setting by at least 5 °F below the room temperature. Cool icon shall energize after time delay period. When temperatures reaches set point cool will turn off.
- Place the fan switch to “on” and change the fan speed. The fan switch should change speeds.
- When common is applied to the “L” terminal the red LED will light. Indicating that the system requires inspection by a service contractor.

## Remote Sensing:

- Move Remote Jumper to the top 2 pins (see Fig 1).
- Place the Remote Sensor to S1 and S1 Terminals.

## Cooling And Heating Reverse Valve Selections:

- Place The Jumper in 1 and 2 for O valve, 2 and 3 for B valve.

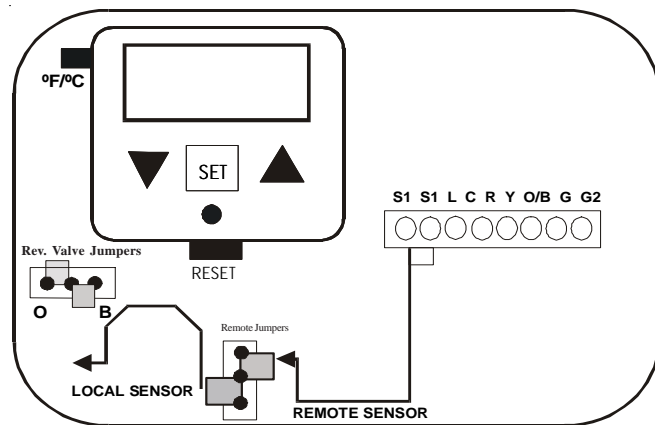
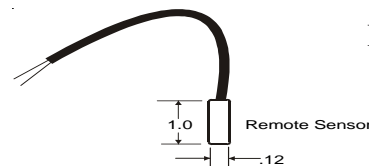


Fig 1



## Warranty:

The ATA11C04 series of thermostats have a limited warranty for one year against poor workmanship, not meeting product specifications, etc. No other liability will be incurred other than replacing the defective product. For complete warranty details contact factory for a detailed warranty.