

LEGEND

- Factory Low voltage Wiring
- Factory Line Voltage Wiring
- Field Low voltage Wiring
- Field Line voltage Wiring
- Printed Circuit Trace
- Optional Wiring
- Optional Block
- Capacitor
- Circuit Breaker
- Condensate Pan
- Ground
- High Pressure Switch
- LED
- Low Pressure Switch
- Mate-N-Lock
- Multi Splice Connector
- Optional
- OVERLOAD
- Relay contacts - N.C.
- Relay contacts - N.O.
- Relay / Contactor Coil
- Solenoid Coil
- Splice Cap
- Temperature Switch
- Thermistor
- Wire Nut

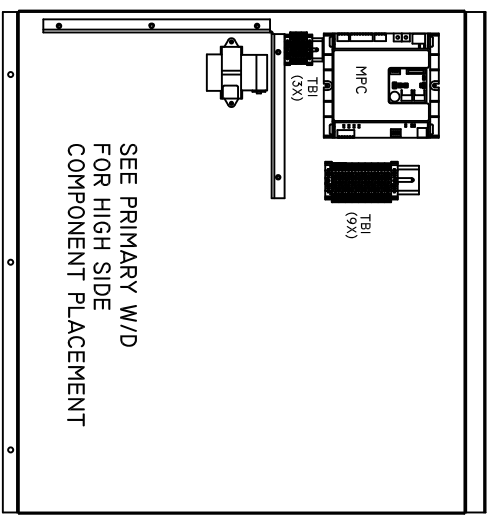
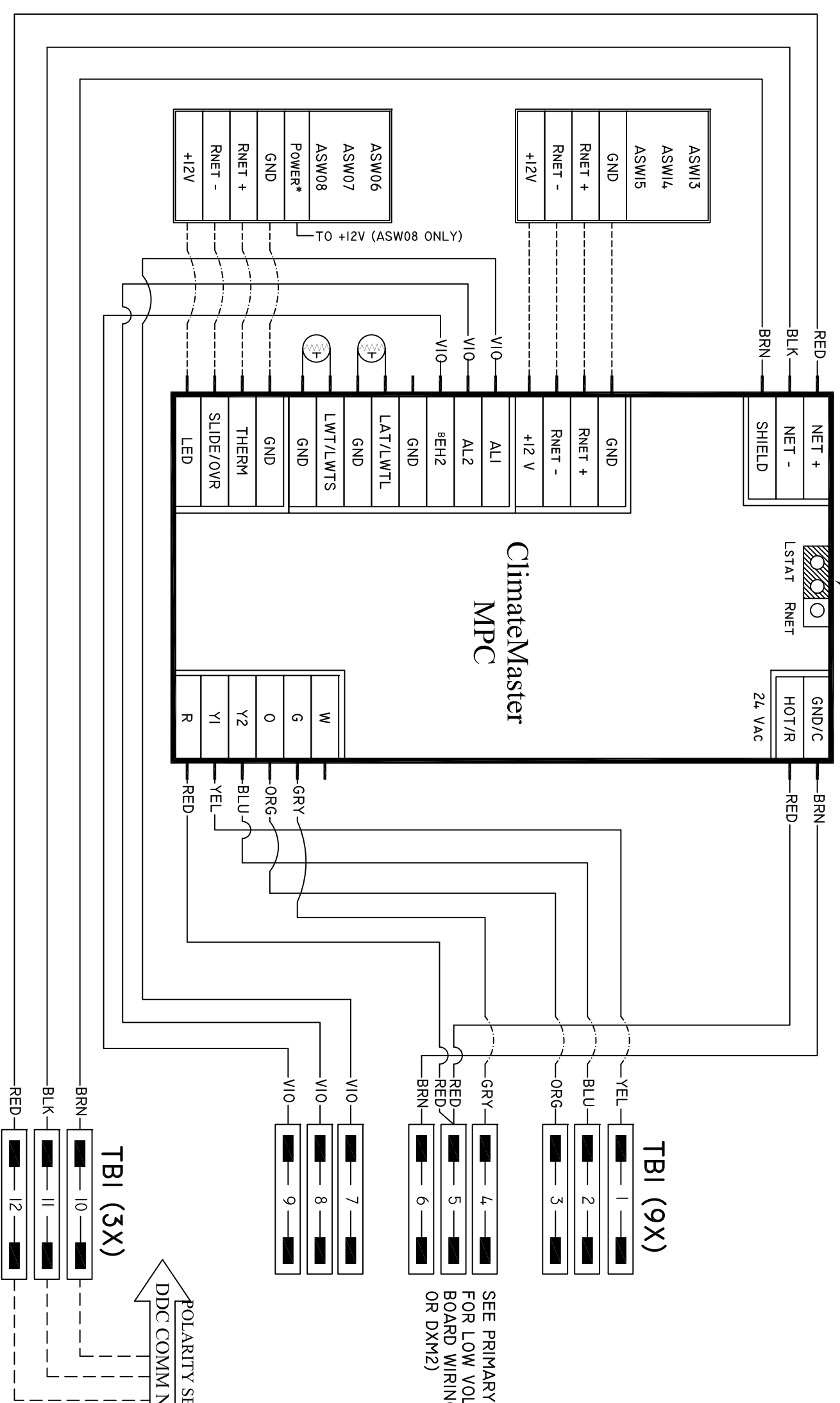
- AL Alarm Relay Contacts
- BM Blower Motor
- BMC Blower Motor Capacitor
- BR Blower Relay
- BRK Capacitor
- CAN Capacitor
- CB Circuit Breaker
- CC Compressor Contactor
- CO Condensate Overflow Sensor
- CR Compressor Relay
- CTB Common Terminal Block
- CS Current Sensor
- DHW Domestic Hot Water
- DM Damper Motor
- DTS Discharge Temperature Switch
- ES End Switch
- EVT Sensor, low temp protection, water coil
- FP1 Sensor, low temp protection, water coil
- FP2 Sensor, low temp protection, air coil
- FSS Fan Speed Switch
- HP High Pressure Switch
- HPWS High Pressure Water Switch
- HR Heating Relay
- JW Jumper Wire
- LAT Leaving Air Temperature
- LOC Loss of Charge Pressure Switch
- LOR Lock Out Relay
- LWTS Leaving Water Temp Sensor
- MOD Modulating Water Valve
- MS Manual Starter
- MSC Multi Splice Connector
- MWV Motorized Water Valve
- PB Power Terminal Block
- PDB Power Distribution Block
- POT Potentiometer
- P1 Field Wiring Terminal Block
- RAS Return Air Sensor
- RVS Reversing Valve Solenoid
- SAC Start Assist Capacitor
- TB Terminal Block
- TRANS Transformer
- TS Terminal Strip
- UMT Unit Mounted Thermostat

NOTES:

2. All wiring to the unit must comply with NEC and local codes low voltage wiring shall be Class 2 or equivalent.
 MPC1. Factory cut JW1 (CXM) or JW4 (DXM) jumper. Dry Contact will be available between AL1 and AL2.
 MPC2. Refer to MPC installation, application, and operation manual for control wiring to the unit.

MPC OPTION

ASW SENSORS ARE NOT REQUIRED ON WATER-WATER APPLICATION. ASW06-ASW08 (WATER-AIR ONLY) MOVE JUMPER TO LSTAT. ASW09-ASW11 MOVE JUMPER TO RNET.



CONTROL BOX LAYOUT LOW SIDE
 SEE NOTE MPC1

SEE PRIMARY W/D FOR LOW VOLT CONTROL BOARD WIRING (CXM, DXM OR DXM2)

POLARITY SENSITIVE
 DDC COMM NETWORK