

LEGEND:

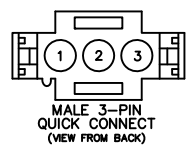
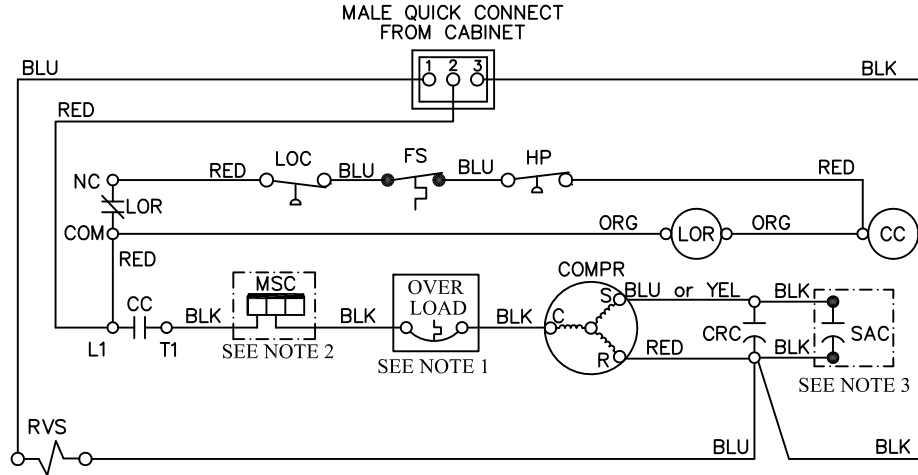
Factory Line Voltage Wiring
 Factory Low Voltage Wiring
 Optional Wiring
 Option Box
 High Pressure Switch
 Loss of Charge Switch
 FREEZE STAT

RV Solenoid Coil
 RELAY/ACTUATOR COIL
 CAPACITOR
 OPTIONAL ITEMS
 MULTI SPLICE CONNECTOR

CRC Compressor Run Capacitor
 COMPR Compressor
 FS FREEZE STAT
 HP High Pressure Switch
 HPWS High Pressure Water Switch
 LTS LOW TEMP SWITCH
 LOC Loss of Charge
 LOR LOCK OUT RELAY
 RVS Reversing Valve Solenoid
 SAC Start Assist Capacitor
 TBLK Terminal Block

NOTES:

1. Ext. Compr. Overload on Sizes 09, 12, 15 & 18 Only.
2. Used with 81724/30/36 COMPR PLUG only.
3. START ASSIST CAPACITOR FOR SIZES 9-18 ONLY



REFERENCE SKETCHES. DO NOT SHIP WITH UNIT

K ADDED NOTE FOR SAC USED ON 81709-18	NW	16-0130	03/18/16	TN	
J REMOVED MOTORIZED WATER VALVE OPTION	DR	14-0219	04/23/14	JIM T.	
H REMOVED HTPS & ADDED OPTION FOR MWV w/HPWS	DR	14-0013	01/20/14	JIM T.	
G ADDED START ASSIST CAPACITOR	DR	11-0545	11/01/11	JIM T.	
F UPDATED LEGEND, LOR & MWV. REMOVED MWV CHECK BOX	DR	11-0121	03/18/11	JIM T.	
E INITIAL RELEASE	DR	10-0380	08/10/10	JIM T.	
REV	DESCRIPTION	BY	PCN	DATE	APPR

CLIMATEMASTER • 7300 SW 44th
 OK CITY, OK 73179

TITLE: 817 CHASSIS 09-36
 LINE VOLTAGE
 817 (S) CONTROLS

DRAWING NO: 96B0036N07