

Deluxe Programmable Heat Pump Thermostat

TRADELINE®

T8611M

INSTALLATION INSTRUCTIONS

APPLICATION

The T8611M Deluxe Programmable Heat Pump Thermostat provides electronic control of 24 Vac single-zone two compressor or two speed heat pump systems with auxiliary heat. The T8611M can be configured to run a single compressor heat pump system. Refer to Table 1 for a general description of the thermostat. All T8611 thermostats require a common wire to supply power.

Table 1. Description of T8611 Thermostats.

T8611	Changeover	System Selection	Fan Selection	Comments
M	Automatic	Em Heat-Heat-Off-Cool-Auto	On-Auto	Down-selectable for single compressor systems.



RECYCLING NOTICE

If this control is replacing a control that contains mercury in a sealed tube, do *not* place your old control in the trash.

Contact your local waste management authority for instructions regarding recycling and the proper disposal of the old thermostat.

INSTALLATION

When Installing this Product...

1. Read these instructions carefully. Failure to follow the instructions can damage the product or cause a hazardous condition.
2. Check the ratings given in the instructions and on the product to make sure the product is suitable for your application.
3. Installer must be a trained, experienced service technician.
4. After completing installation, use these instructions to check out the product operation.

Location

Install the thermostat about 5 ft (1.5m) above the floor in an area with good air circulation at average temperature. See Fig. 1.

- Do not install the thermostat where it can be affected by:
- drafts, or dead spots behind doors and in corners.
 - hot or cold air from ducts.
 - radiant heat from sun or appliances.
 - concealed pipes and chimneys.
 - unheated (uncooled) areas such as an outside wall behind the thermostat.

Wallplate Installation

Mount the thermostat horizontally on the wall or on a 2 in. x 4 in. wiring box.

1. Position and level the wallplate (for appearance only). The thermostat functions properly even when not level.
2. Use a pencil to mark the mounting holes. See Fig. 2.
3. Remove the wallplate from the wall and drill two 3/16 inch holes in the wall (if drywall) as marked. For firmer material such as plaster, drill two 7/32 inch holes. Gently tap anchors (provided) into the drilled holes until flush with the wall.
4. Position the wallplate over the holes, pulling the wires through the wiring opening.
5. Loosely insert the mounting screws into the holes.
6. Tighten the mounting screws.

WIRING

All wiring must comply with local electrical codes and ordinances. Refer to Fig. 3 and 4 for typical hookup. A letter code is located near each terminal for identification.



CAUTION

Electrical Shock or Equipment Damage Hazard. Can shock individuals or short equipment circuitry.
Disconnect power supply before installation.

1. Loosen the terminal screws on the wallplate and connect the system wires. See Fig. 5.



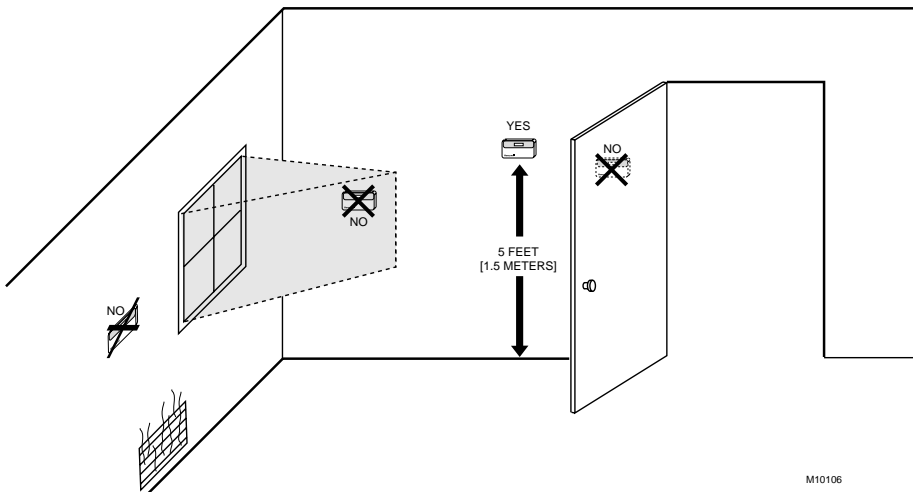


Fig. 1. Typical location of thermostat.

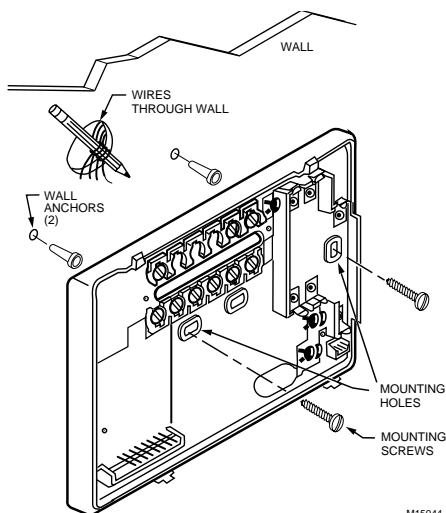
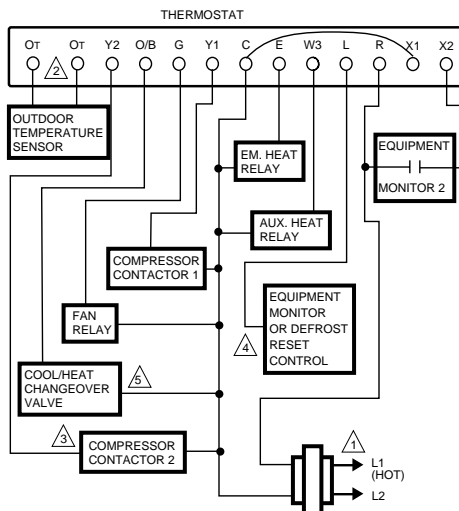


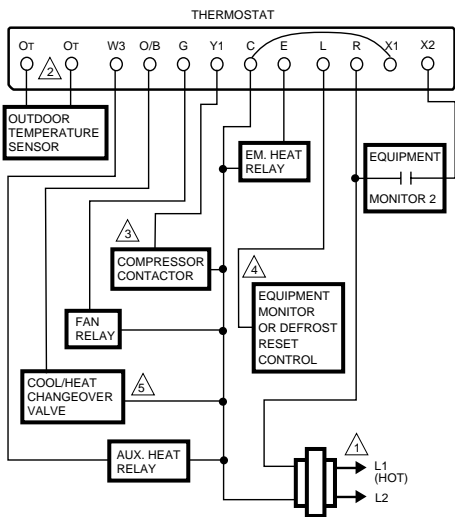
Fig. 2. Mounting the wallplate.



- ⚠ POWER SUPPLY. PROVIDE DISCONNECT MEANS AND OVERLOAD PROTECTION AS REQUIRED.
- ⚠ USE OUTDOOR SENSOR C7089B1000 AND CONFIGURE INSTALLER SETUP NUMBER 24 TO 1.
- ⚠ BE SURE INSTALLER SETUP NUMBER 3 IS SET TO 2 FOR TWO COMPRESSOR SYSTEMS.
- ⚠ WIRE EQUIPMENT MONITOR OR DEFROST RESET CONTROL PER MANUFACTURER INSTRUCTIONS.
- ⚠ CONFIGURE IN INSTALLER SETUP.

M13289

Fig. 3. Typical hookup in heat pump application with emergency heat relay and O/B terminal.



- 1 POWER SUPPLY. PROVIDE DISCONNECT MEANS AND OVERLOAD PROTECTION AS REQUIRED.
- 2 USE OUTDOOR SENSOR C7089B1000 AND CONFIGURE INSTALLER SETUP NUMBER 24 TO 1.
- 3 BE SURE INSTALLER SETUP NUMBER 3 IS SET TO 1 FOR SINGLE COMPRESSOR SYSTEMS.
- 4 WIRE EQUIPMENT MONITOR OR DEFROST RESET CONTROL PER MANUFACTURER INSTRUCTIONS.
- 5 CONFIGURE IN INSTALLER SETUP.

Fig. 4. Typical hookup in heat pump system with emergency heat relay for single compressor systems.

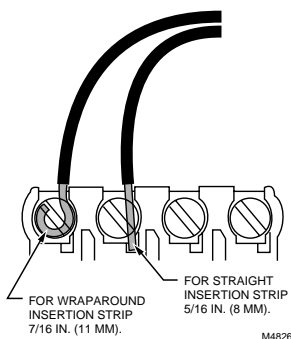


Fig. 5. Proper wiring technique.

Mounting Thermostat

1. Engage tabs at the top of the thermostat and wallplate. See Fig. 6.
2. Press lower edge of case to close and latch.

NOTE: To remove the thermostat from the wall, first pull out at the bottom of the thermostat; then remove the top.

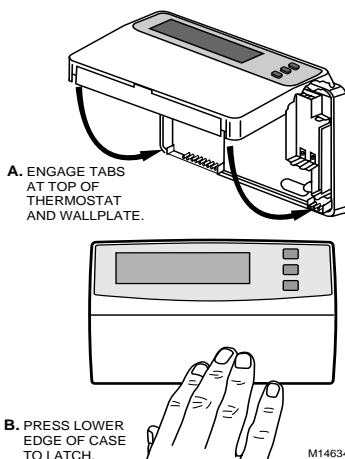


Fig. 6. Mounting thermostat on wallplate.

Using Thermostat Keys

The thermostat keys are used to:

- set current day and time,
- program times and setpoints for heating and cooling,
- temporarily override program temperatures,
- display present setting,
- configure Installer Setup,
- check System-Test,
- display outdoor temperature (select models),
- set the system operation,
- set the fan operation.

See Fig. 7 for the key location.

NOTE: Always press the keys with your fingertip or similar blunt tool. Sharp instruments like a pen or pencil point can damage the keyboard.

SETTINGS

System and Fan Settings

The system default setting is Heat and the fan default setting is Auto. Use the System and Fan keys to change the settings. See Fig. 8. The fan settings can be set individually for each program period. The system selection is for all the program periods.

System settings control the thermostat operation as follows:

Em Heat: Defrost reset output relay (L) is on continuously. The thermostat cycles the Emergency Heat relay and the highest heat stage. Cooling system is off. Compressor is de-energized.

Heat: The thermostat controls the heating.

Off: Both the heating and cooling are off.

Cool: The thermostat controls the cooling.

Auto: The thermostat automatically changes between heating and cooling operation, depending on the indoor temperature.

Fan settings control the system fan as follows:

On: Fan operates continuously.

Auto: Fan operates with equipment.

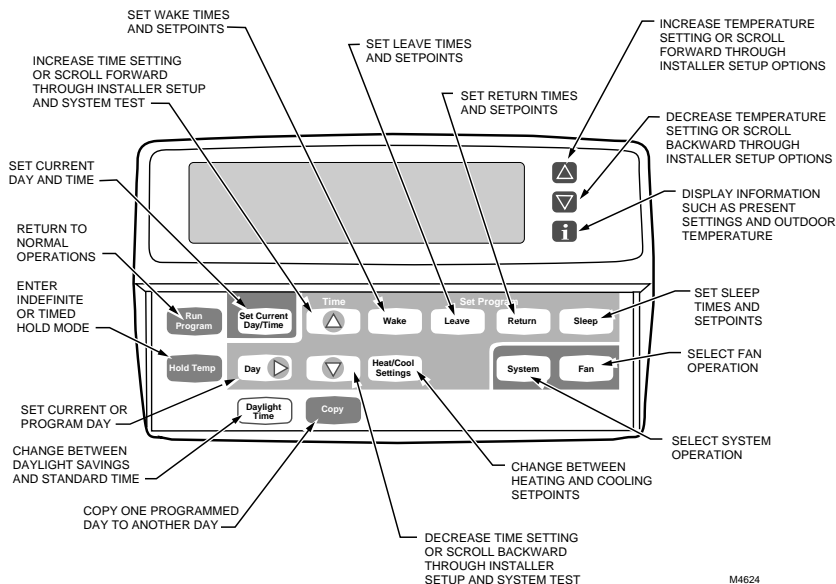
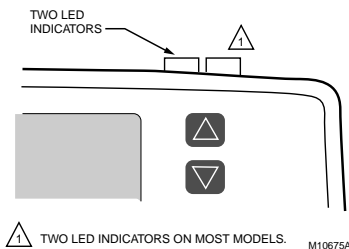


Fig. 7. T8611M key locations and descriptions.

M4624

LED Indication

Two LED indicators are located on the upper right top of the thermostat. They indicate when a CHECK or FAIL signal is sent to the thermostat from the system. See Fig. 9. The CHECK LED is on continuously when the thermostat system setting is in the Emergency Heat position.



M10675A

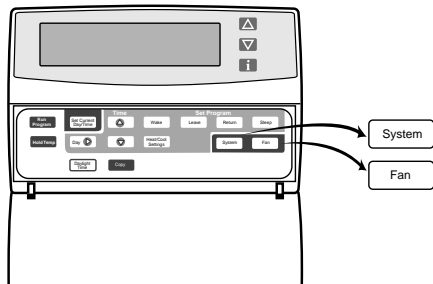
Fig. 9. LED location.

Temperature Settings

Refer to Table 2 for the default program settings. If the daytime energy savings period is not used, press the period key (Leave or Return) until the time is blank. The fan setting feature is available on select thermostat models. See the Owners Guide for complete instructions on changing the program.

Table 2. Default Program Settings.

Period	Time	Heat Setpoint	Cool Setpoint	Fan Setting
Wake	6:00 AM	70°F (21°C)	78°F (25.5°C)	Auto
Leave	8:00 AM	62°F (16.5°C)	85°F (29.5°C)	Auto
Return	6:00 PM	70°F (21°C)	78°F (25.5°C)	Auto
Sleep	10:00 PM	62°F (16.5°C)	82°F (28°C)	Auto



M14625

Fig. 8. T8611M System and Fan key locations.

INSTALLER SETUP

NOTE: For most applications, the thermostat factory settings do not need changing. Review the Factory Setting column in Table 3 and if no changes are necessary, go to the Installer System-Test section.

The Installer Setup is used to customize the thermostat to specific systems. Some of the options include temperature display, changeover and outdoor temperature display. Use the Installer Setup numbers listed in Table 3. The table includes all the configuration options and the factory-settings for the T8611.

A combination of key presses are required to use the Installer Setup feature.

1. To enter the Installer Setup, press and hold the Information **[i]** key and the increase **▲** and decrease **▼** keys until the first number is displayed. All display segments appear for approximately three seconds before the number displays. See Fig. 10 and 11.
2. To advance to the next Installer Setup, press the Time **△** key.
3. To change a setting, press the increase **▲** or decrease **▼** key.
4. To scroll the Installer Setup numbers backward, press the Time **▽** key.
5. To exit the Installer Setup, press Run Program.



Fig. 10. Display of all LCD segments.

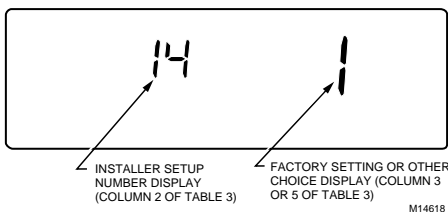


Fig. 11. Display of Installer Setup number and setting.

IMPORTANT

Only configurable numbers are shown on the device; for example, if the thermostat does not have a system key, Installer Setup Number 12 will not be displayed. Review Table 3 Factory Setting column and mark any desired changes in the Actual Setting column. When Installer Setup is complete, review the settings to confirm they match the system.

Table 3. Thermostat Installer Setup Options.

Select	Installer Setup Number (Press Time △ key to change)	Factory Setting		Other Choices (Press ▲ or ▼ key to change)		Actual Setting
		Display	Description	Display	Description	
Not used.	1 thru 4	—	—	—	—	—
Number of compressor stages.	3	2	Two compressor stages or two speed compressor.	1	Single stage compressor systems.	
Heating cycle.	(Not used)	—	—	—	3—3 cph.	—
	6	6	Auxiliary heat.	3, 6 or 9	6—6 cph used for last stage of heat pump systems.	
	7	9	Emergency heat.	3, 6 or 9	9—9 cph used for electric heat.	
Not used.	8 thru 11	—	—	—	—	—
System setting adjustment.	12	1	Manual changeover.	0 or 2	0—Auto changeover. 2—Fixed auto changeover.	
Adaptive Intelligent Recovery™ control.	13	0	Adaptive Intelligent Recovery™ control is activated (system starts early so setpoint is reached by start of program period).	1	Conventional recovery (system starts recovery at programmed time).	
Degree temperature display.	14	0	Temperature is displayed in °F.	1	Temperature is displayed in °C.	

(Continued)

Table 3. Thermostat Installer Setup Options (Continued).

Select	Installer Setup Number (Press Time △ key to change)	Factory Setting		Other Choices (Press ▲ or ▼ key to change)		Actual Setting
		Display	Description	Display	Description	
Not used.	15	—	—	—	—	—
Clock format.	16	0	12-hour clock format.	1	24-hour clock format	
Not used.	17 and 18	—	—	—	—	—
Extended fan operation in heating.	19	0	No extended fan operation after the call for heat ends.	1	Fan operation is extended 90 seconds after the call for heat ends.	
Extended fan operation in cooling.	20	0	No extended fan operation after the call for cool ends.	1	Fan operation is extended 90 seconds after the call for cool ends.	
Not used	21 thru 23	—	—	—	—	—
Outdoor temperature display (models with OT terminals).	24	0	No outdoor temperature is displayed.	1	Outdoor temperature is displayed. Needs a C7089B1000 Outdoor Sensor to operate.	
Not used.	25 thru 28	—	—	—	—	—
O/B terminal energized in heating or cooling.	29	0	O/B terminal is energized for reversing valve in cooling.	1	O/B terminal is energized for reversing valve in heating.	
Deadband.	30	3	Heating and cooling setpoints can be set no closer than 3°F (1.5°C).	4 thru 10	Heating and cooling setpoints can be set no closer than the chosen value: 4—4°F (2°C). 5—5°F (2.5°C). 6—6°F (3°C). 7—7°F (3.5°C). 8—8°F (4°C). 9—9°F (4.5°C). 10—10°F (5°C).	
Not used.	31 and 32	—	—	—	—	—
Minimum-off-time for the compressor.	33	5	5 minute minimum off time for the compressor.	0 thru 4	Minimum number of minutes (0 thru 5) the compressor will be off between calls for the compressor.	
Temperature range stops in heating.	34	90	Highest setpoint setting for heating.	40 to 89	Temperature range (1°F increments) of heating setpoint.	
Temperature range stops in cooling.	35	45	Lowest setpoint setting for cooling.	46 to 99	Temperature range (1°F increments) of cooling setpoint.	
Not used.	36	—	—	—	—	—
Temperature display adjustment.	37	0	No difference in displayed temperature and actual room temperature.	-3 thru 3	1—Display adjusts to 1°F higher than actual room temperature. 2—Display adjusts to 2°F higher than actual room temperature. 3—Display adjusts to 3°F higher than actual room temperature. -1—Display adjusts to 1°F lower than actual room temperature. -2—Display adjusts to 2°F lower than actual room temperature. -3—Display adjusts to 3°F lower than actual room temperature.	

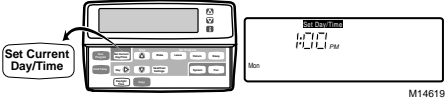
IMPORTANT

Review the settings to confirm they match the system. Press Run Program to exit the Installer Setup. The thermostat has saved the Installer Setup changes and initiated a reset in order to operate using the new settings. Be sure to set the current day and time immediately.

Setting Current Day and Time

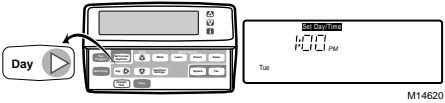
1. Press Set Current Day/Time.

NOTE: On initial powerup or after an extended power loss, 1:00 pm flashes on the display until a key is pressed.



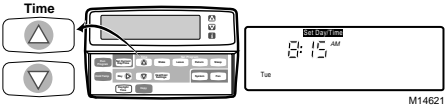
2. Press Day until the current day is displayed.

NOTE: Sun=Sunday, Mon=Monday, Tue=Tuesday, Wed=Wednesday, Thu=Thursday, Fri=Friday, Sat=Saturday.

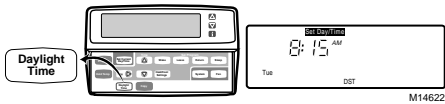


3. Press Time Δ or Time ∇ until the current time is displayed.

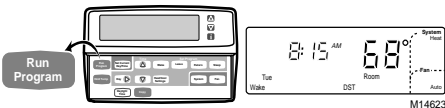
NOTE: Tapping the Set Current Day/Time changes the time in one-hour increments.



NOTE: If the current time is Daylight Savings Time, press Daylight Time until DST is displayed.



4. Press Run Program.



INSTALLER SYSTEM-TEST

Use the Installer System-Test to check the thermostat operation. Refer to Table 4 for a list of the system tests.

To start the system test:



CAUTION

Equipment Damage Hazard.
Minimum compressor off-time is bypassed during the Installer System-Test.

Be aware that equipment damage can occur if the compressor is cycled too quickly.

Press and hold the increase Δ and decrease ∇ keys at the same time until number 10 appears. All segments of the display are displayed before test number 10 appears. See Fig. 12 and 13.

Table 4. Installer System-Tests.

Test Number	System-Test Description
10-19	Heating equipment can be turned on and off.
20-29	Emergency heat equipment can be turned on and off.
30-39	Cooling equipment can be turned on and off.
40-49	Fan equipment can be turned on and off.
60 0 to 60 19	Keyboard keys test.
70-79	Thermostat information displayed including date code and software versions.

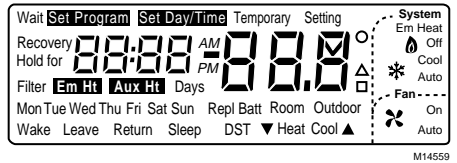


Fig. 12. Display of all LCD segments.



Fig. 13. Display of test number.

Refer to Table 5 for descriptions of specific system tests.

NOTE: Press Time Δ to advance to the next test and press Time ∇ to go back to the previous test. Press Run Program to exit the system test.

Table 5. Installer System-Test Options.

Key to Press	Test Number	Description
Heating Equipment System-Test		
Time Δ	10	Enter heating equipment system-test.
\blacktriangle	11	Stage-one heat comes on. The system fan is also energized.
\blacktriangle	12	Stage-two heat comes on. Stage-one heat and system fan remain on.
\blacktriangle	13	Stage-three heat comes on. Stage one and two remain on.
\blacktriangledown	12	Stage-three hat turns off.
\blacktriangledown	11	Stage-two heat turns off.
\blacktriangledown	10	Stage-one heat and system fan turn off.
Emergency Heating Equipment System-Test		
Time Δ	20	Change from heating to emergency heating equipment system-test.
\blacktriangle	21	Emergency heat comes on.
\blacktriangle	22	Stage-two emergency heat comes on.
\blacktriangledown	21	Stage-two emergency heat turns off.
\blacktriangledown	20	Emergency heat turns off.
Cooling Equipment System-Test		
Time Δ	30	Change from heating or emergency heating to cooling equipment system-test.
\blacktriangle	31	Cool and system fan come on.
\blacktriangle	32	Stage-two cooling comes on.
\blacktriangledown	31	Stage-two cooling turns off.
\blacktriangledown	30	Cool and system fan turn off.
Fan Equipment System-Test		
Time Δ	40	Change from cooling to fan equipment system-test.
\blacktriangle	41	Fan comes on.
\blacktriangledown	40	Fan turns off.
Key Operation System-Test		
Time Δ	60	Change from fan to key operation system-test.

NOTE: Press any key and the displayed numbers change. Press Time ∇ to go to the previous test and the Time Δ to go to the next test. The Run Program Key will not exit this test. To exit, press Time Δ or Time ∇ and then the Run Program key.

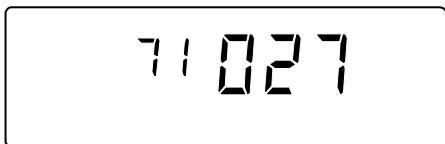
THERMOSTAT INFORMATION

1. Press the Time Δ key to access the thermostat information.



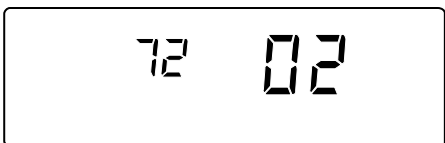
M14613

2. Press the increase \blacktriangle key to display the production date code. The first two large digits are the month and the third digit is the last digit of the year (Example: 027=February 1997).



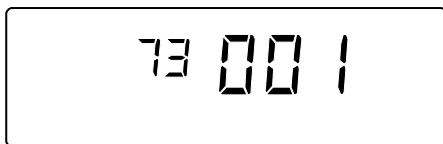
M14614

3. Press the increase \blacktriangle key again to display the software identification code (Example: 02 = software ID code 2).



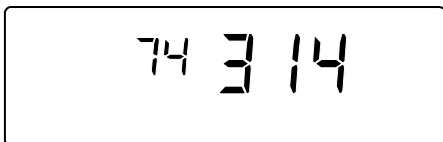
M14615

4. Press the increase \blacktriangle key again to display the software revision number (Example: 001=Revision number 1).



M14616

5. Press the increase \blacktriangle key again to display the EEPROM identification code (Example: 314 = EEPROM ID 314).



M14617

6. Press the Run Program key to exit the system test. (The system-test times out after four minutes without any key presses.)

CHECKOUT

Outdoor Temperature Sensor (Select Models)

Allow the outdoor temperature sensor to absorb the outdoor air for a minimum of five minutes before taking a reading.

TROUBLESHOOTING GUIDE

Symptom	Possible Cause	Action
Display will not come on.	Thermostat is not being powered.	<ul style="list-style-type: none"> • Check for 24 Vac between R and C terminals. <ul style="list-style-type: none"> — If missing 24 Vac: <ul style="list-style-type: none"> — Check if the circuit breaker is tripped—reset the circuit breaker. — Check if the system fuse is blown—replace the fuse. — Check if the power switch on the HVAC equipment is in the Off position—set to the On position. — Check wiring between thermostat and HVAC equipment—replace any broken wires and tighten any loose connections. — If 24 Vac is present, proceed with troubleshooting.
Temperature display is incorrect.	Room temperature display has been reconfigured.	Enter Installer Setup number 37 and reconfigure the display.
	Thermostat is configured for °F or °C display.	Enter Installer Setup number 14 and reconfigure the display.
	Bad thermostat location.	Relocate the thermostat.
Temperature settings will not change. (Example: Cannot set the heating higher or the cooling lower.)	The upper or lower temperature limits were reached.	Check the temperature setpoints: <ul style="list-style-type: none"> • Heating limits are 40 to 90°F (4.5 to 32°C). • Cooling limits are 48 to 99°F (7 to 37°C).
	The setpoint temperature range stops were configured.	Check Installer Setup numbers 34 and 35 and reconfigure the setpoint stops.

(Continued)

Troubleshooting (Continued).

Symptom	Possible Cause	Action
Heating will not come on.	No power to the thermostat.	<ul style="list-style-type: none"> • Check for 24 Vac between R and C terminals. <ul style="list-style-type: none"> — If missing 24 Vac: <ul style="list-style-type: none"> — Check if the circuit breaker is tripped—reset the circuit breaker. — Check if the system fuse is blown—replace the fuse. — Check if the power switch on the HVAC equipment is in the Off position—set to the On position. — Check wiring between thermostat and HVAC equipment—replace any broken wires and tighten any loose connections. — If 24 Vac is present, proceed with troubleshooting.
	Thermostat minimum off time is activated.	Wait up to five minutes for the system to respond.
	System selection is not set to Heat.	Set system selection to Heat.
	Heating setpoint is below room temperature.	Check heating setpoint. Set heating setpoint to desired temperature.
Cooling will not come on.	No power to the thermostat.	<ul style="list-style-type: none"> • Check for 24 Vac between R and C. <ul style="list-style-type: none"> — If missing 24 Vac: <ul style="list-style-type: none"> — Check if the circuit breaker is tripped—reset the circuit breaker. — Check if the system fuse is blown—replace the fuse. — Check if the power switch on the HVAC equipment is in the Off position—set to the On position. — Check wiring between thermostat and HVAC equipment—replace any broken wires and tighten any loose connections. — If 24 Vac is present, proceed with troubleshooting.
	Thermostat minimum off time is activated.	<ul style="list-style-type: none"> • Wait up to five minutes for the system to respond. • Enter Installer Setup number 33. Reconfigure minimum off time (if required).
	System selection is not set to Cool.	Set system selection to Cool.
	Cool setpoint is above room temperature.	Check cooling setpoint. Set cooling setpoint to desired temperature.
Heating or cooling come on momentarily and shut off.	Heat or cool circuit is opening up or becoming high impedance.	Add resistor in parallel with load or install interface relay.
System on indicator (flame=heat, snowflake=cool) is displayed, but no warm or cool air is coming from the registers.	Heating or cooling equipment is not operating.	Verify operation of heating or cooling equipment in self-test.
Outdoor temperature not displayed ^a .	Option not activated.	Enter Installer Setup number 24 and set to 1. Thermostat must have OT terminals and a C7089B1000 installed.
Outdoor temperature display is incorrect ^a .	Outdoor sensor is connected incorrectly.	Refer to C7089B1000 installation instructions and check wiring between the thermostat and sensor.
	Wrong sensor.	Replace sensor with C7089B1000 Sensor.

^a Select models.

Honeywell

Home and Building Control

Honeywell
1985 Douglas Drive North
Golden Valley, MN 55422

Home and Building Control

Honeywell Limited-Honeywell Limitée
35 Dynamic Drive
Scarborough, Ontario
M1V 4Z9