



**Climate
Master**

decentralized
air conditioning systems

DIVISION
W-M
WEIL-MCLAIN

Installation instructions for

WALL CABINETS - SILL
1, 3, 4, 4A, & 5

STEP 1. Remove decorator panel (1) on wall cabinet and set aside.

STEP 2. Loosen four hex head screws (3). Raise wall cabinet (11) to a height of 36" from floor and tighten hex head screws (3).

STEP 3. Lift wall cabinet (11) and place over heating unit. Assemble screw plate (5) and two wing nuts (4) and do not tighten.

STEP 4. If wall cabinet (11) is a side discharge, firm cabinet against side wall and set nine lags (10).

STEP 5. Place rear duct (12) over offset cleat (13) and offset cleat (14) over cradel (7).

STEP 6. For all left hand plumbing use cover (8) with slots over plumbing and cover (9) without slots over right side opening.

For all right hand plumbing use cover (8) with slots over plumbing and cover (9) without slots over left side opening.

Secure covers (8) and (9) using sheet metal screws (15).

NOTE: Be sure to secure bottom screws to cradel (7).

STEP 7. Secure side duct (6) using two wing nuts (4) and screw plate (5). Tighten two wing nuts (4) from Step 3.

STEP 8. Replace decorator panel (1).

Climate Master Division
International Heating
and Air Conditioning Corp.
2007 Beechgrove Place,
Utica, New York 13501

Installation instructions for

WALL CABINETS - SILL 2

STEP 1. Remove decorator panel (1) on wall cabinet and set aside.

STEP 2. Remove side duct (6) by removing two wing nuts (4) and screw plate (5), set aside. Remove air discharge (7) by removing two wing nuts (4) and screw plate, set aside.

STEP 3. Loosen four hex head screws (3). Raise wall cabinet (11) to a height of 36" from floor and tighten hex head screws.

STEP 4. Place wall cabinet (11) against wall, even with sill. (Repeat STEP 3 if wall cabinet and sill are uneven.)

STEP 5. If wall cabinet (11) is a side discharge, firm cabinet against side wall and set nine lags (10).

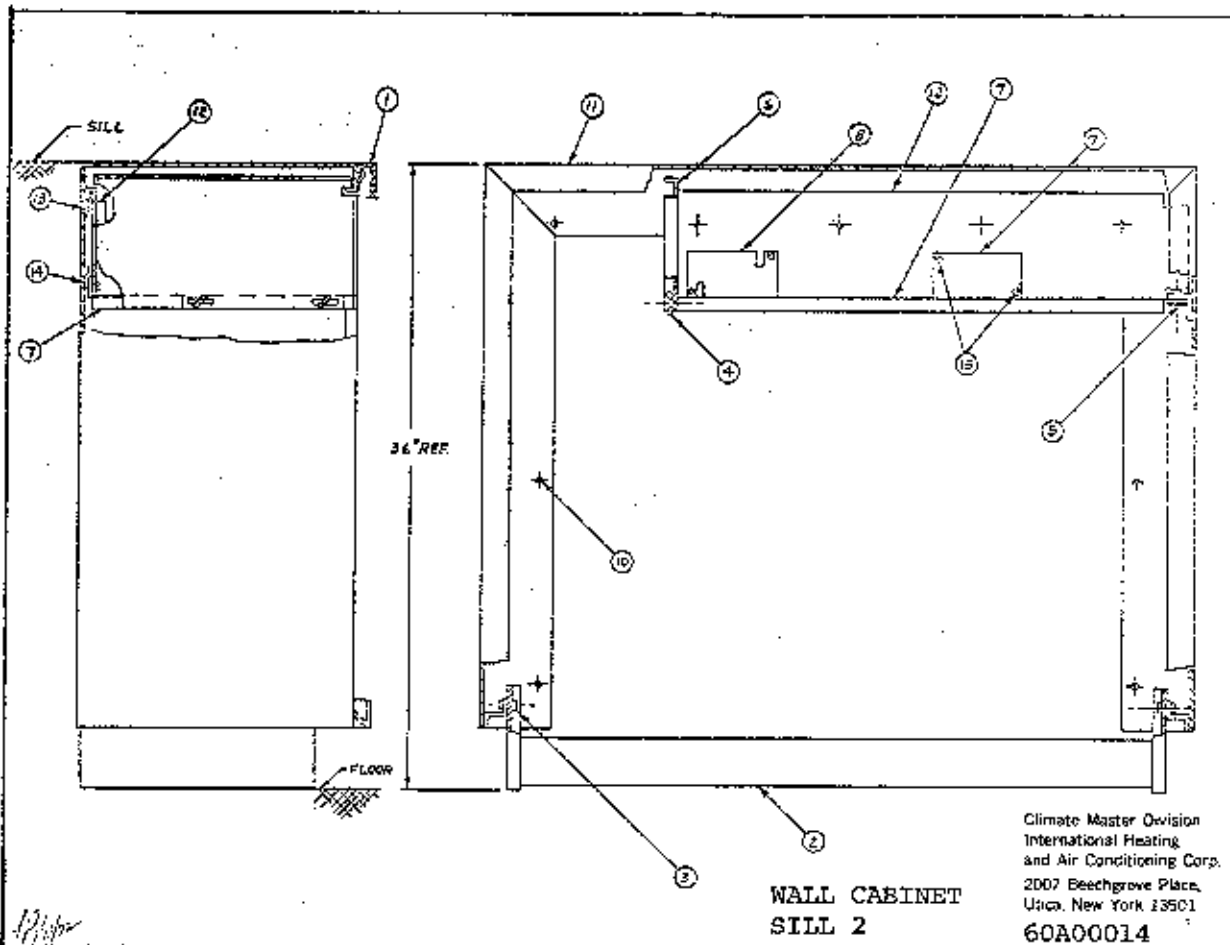
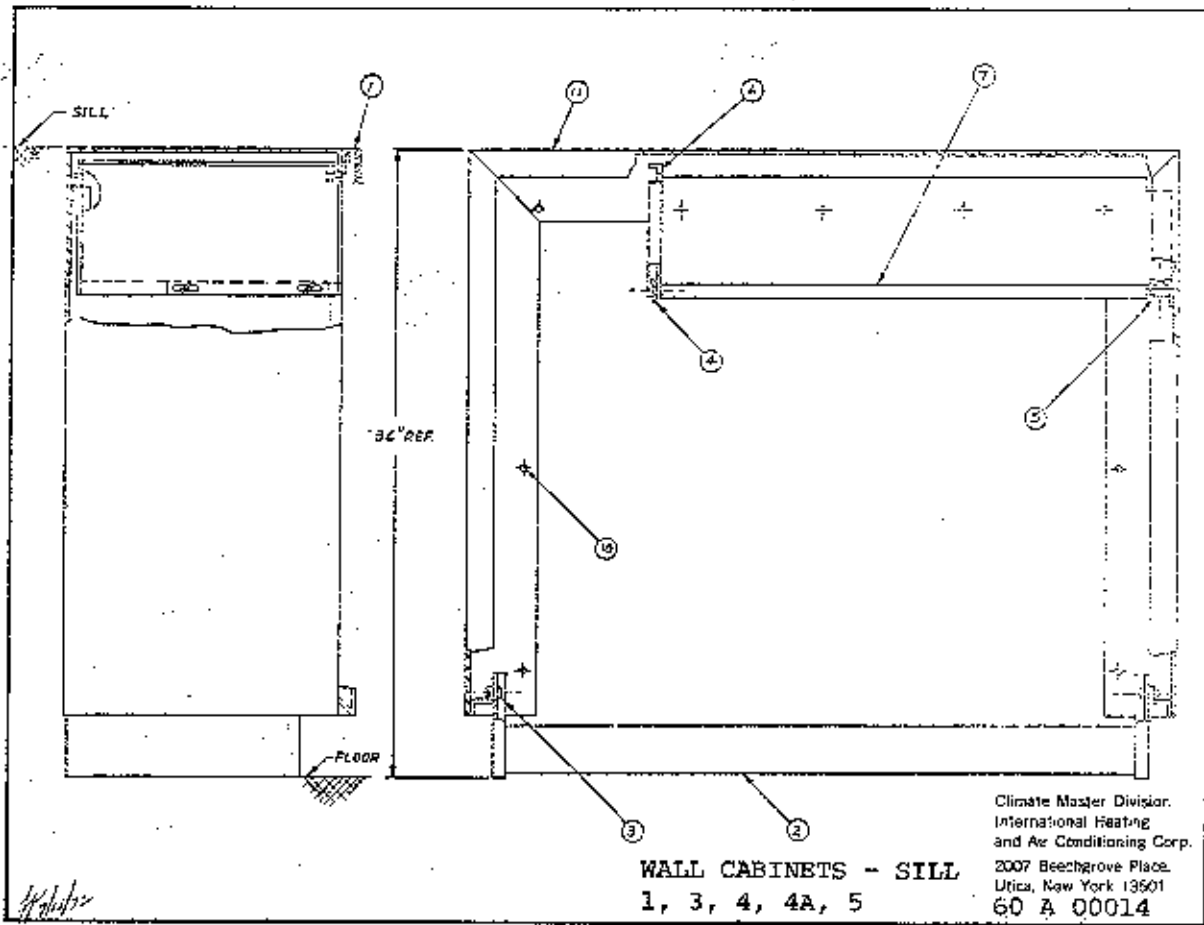
STEP 6. Replace air discharge (7) over heating unit and secure, using screw plate (5) and two wing nuts (4). Replace side duct (6) and secure, using screw plate (5) and two wing nuts (4).

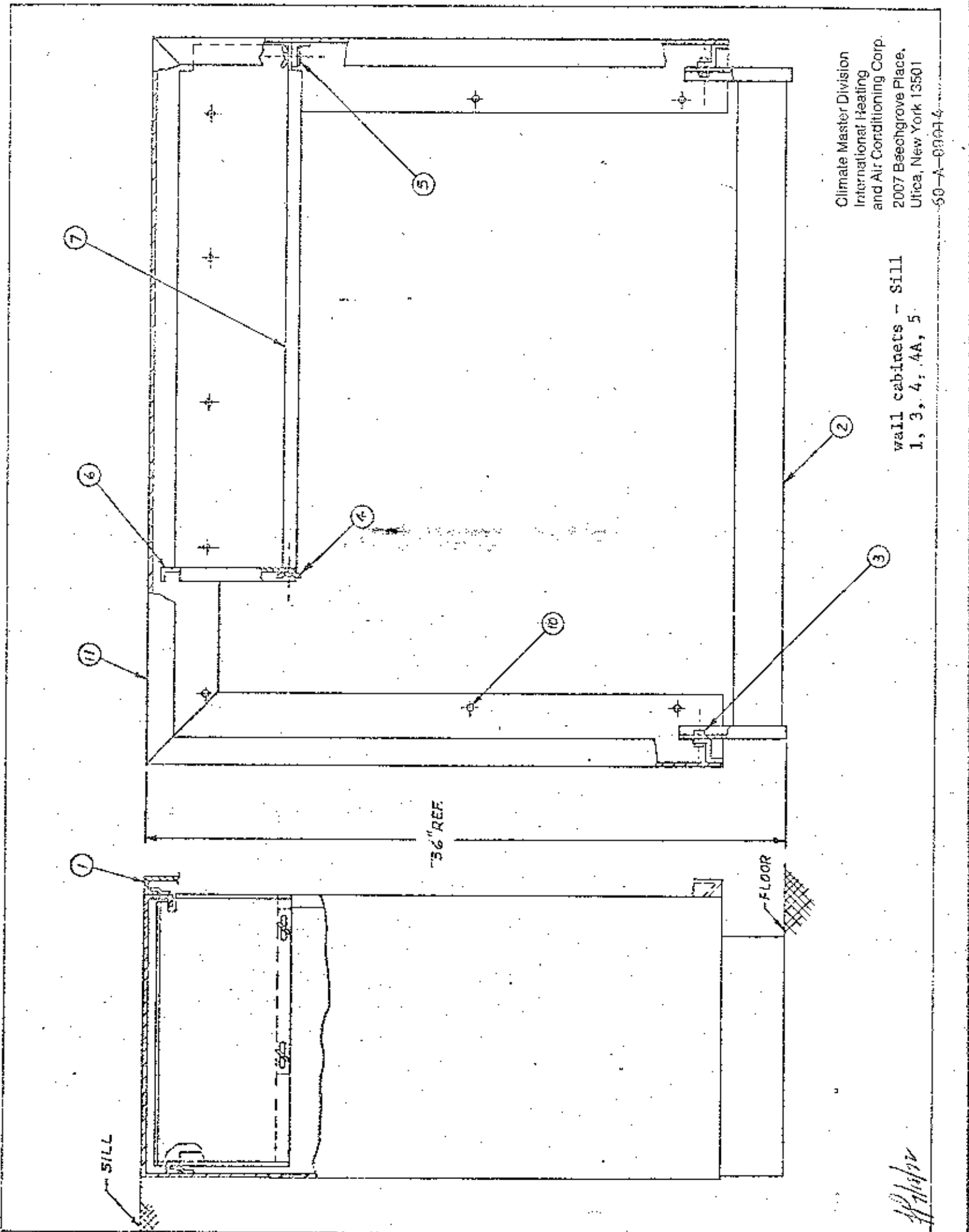
STEP 7. Replace decorator panel (1).

Copyright © 1970
Climate Master Division
International Heating
and Air Conditioning Corp.

Printed in U.S.A. All rights reserved.

Climate Master is a registered trade mark.
60-A-00014

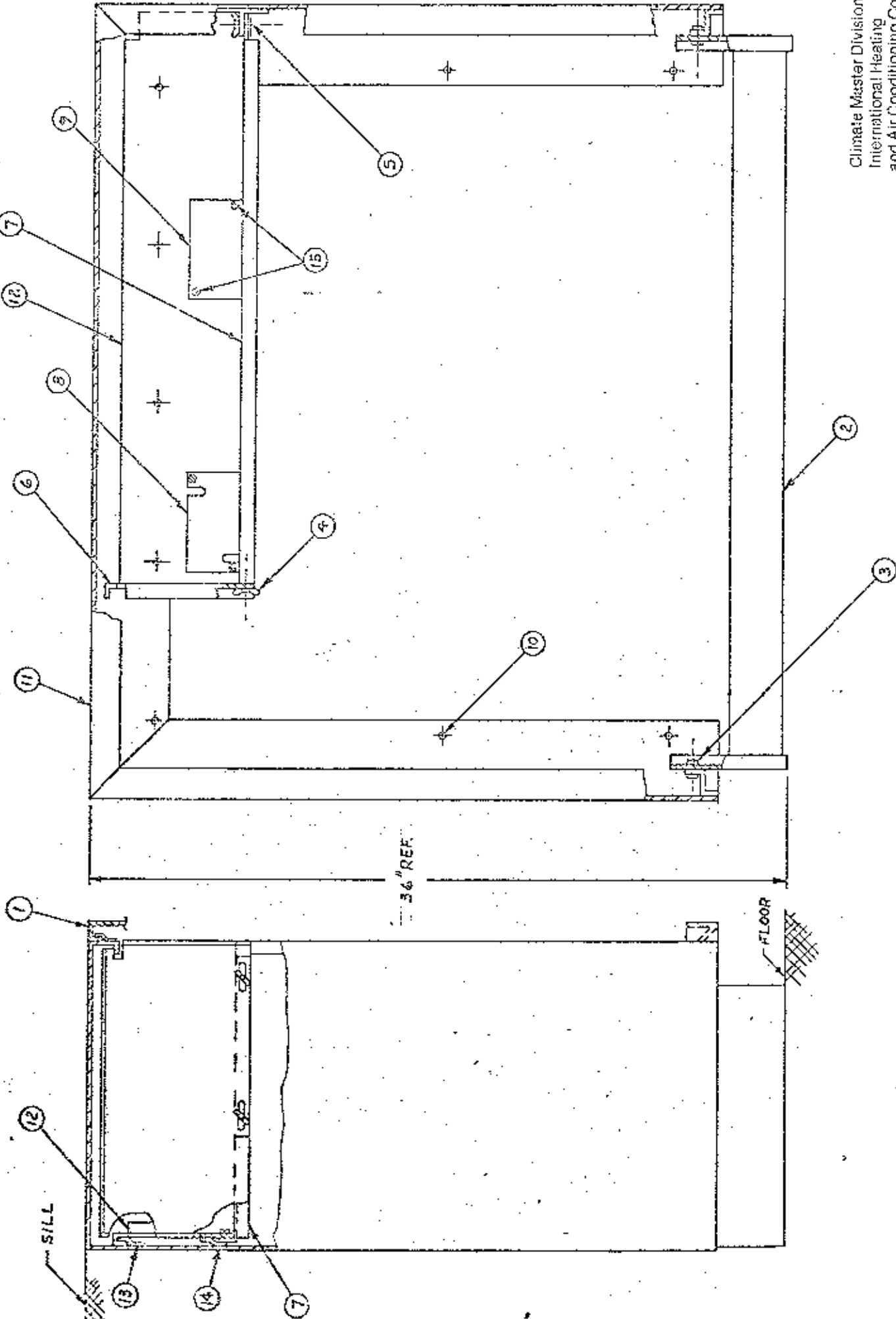




Climate Master Division
 International Heating
 and Air Conditioning Corp.
 2007 Beechgrove Place,
 Utica, New York 13501
 50-A-88014

wall cabinets - Sill
 1, 3, 4, 4A, 5

Handwritten signature



Climate Master Division
 International Heating
 and Air Conditioning Corp.
 2007 Beechgrove Place,
 Utica, New York 13501
 60A05012

Wall Cabinet
 SILL 2

Handwritten signature



**Climate
Master**

decentralized
air conditioning systems



Climate Master Division
International Heating
and Air Conditioning Corp
2007 Beechgrove Place,
Utica, New York 13501

INSTALLATION INSTRUCTIONS FOR OPTIONAL TOP & BOTTOM FRONT PANEL

- Step 1 Remove present decorator panel on room cabinet and discard.
- Step 2 Take new bottom panel ③ and place bracket ④ over weld pins ⑤ in cabinet ① and press down in position.
- Step 3 Take new top panel ② and place bracket ④ over weld pin ⑤ in new bottom panel and edge of panel over retaining bracket ⑥ in room cabinet and press down in position.

