

LEGEND

- Factory Low voltage Wiring
- Factory Line Voltage Wiring
- - - Field Low voltage Wiring
- - - Field Line voltage Wiring
- Printed Circuit Trace
- - - Optional Wiring
- Optional Block
- Capacitor
- Circuit Breaker
- Condensate Pan
- Ground
- High Pressure Switch
- LED
- Low Pressure Switch
- Mate-N-Lock
- Multi Splice Connector
- * Optional
- OVERLOAD
- Relay contacts - N.C.
- Relay contacts - N.O.
- Relay / Contactor Coil
- Solenoid Coil
- Splice Cap
- Temperature Switch
- Thermistor
- Wire Nut

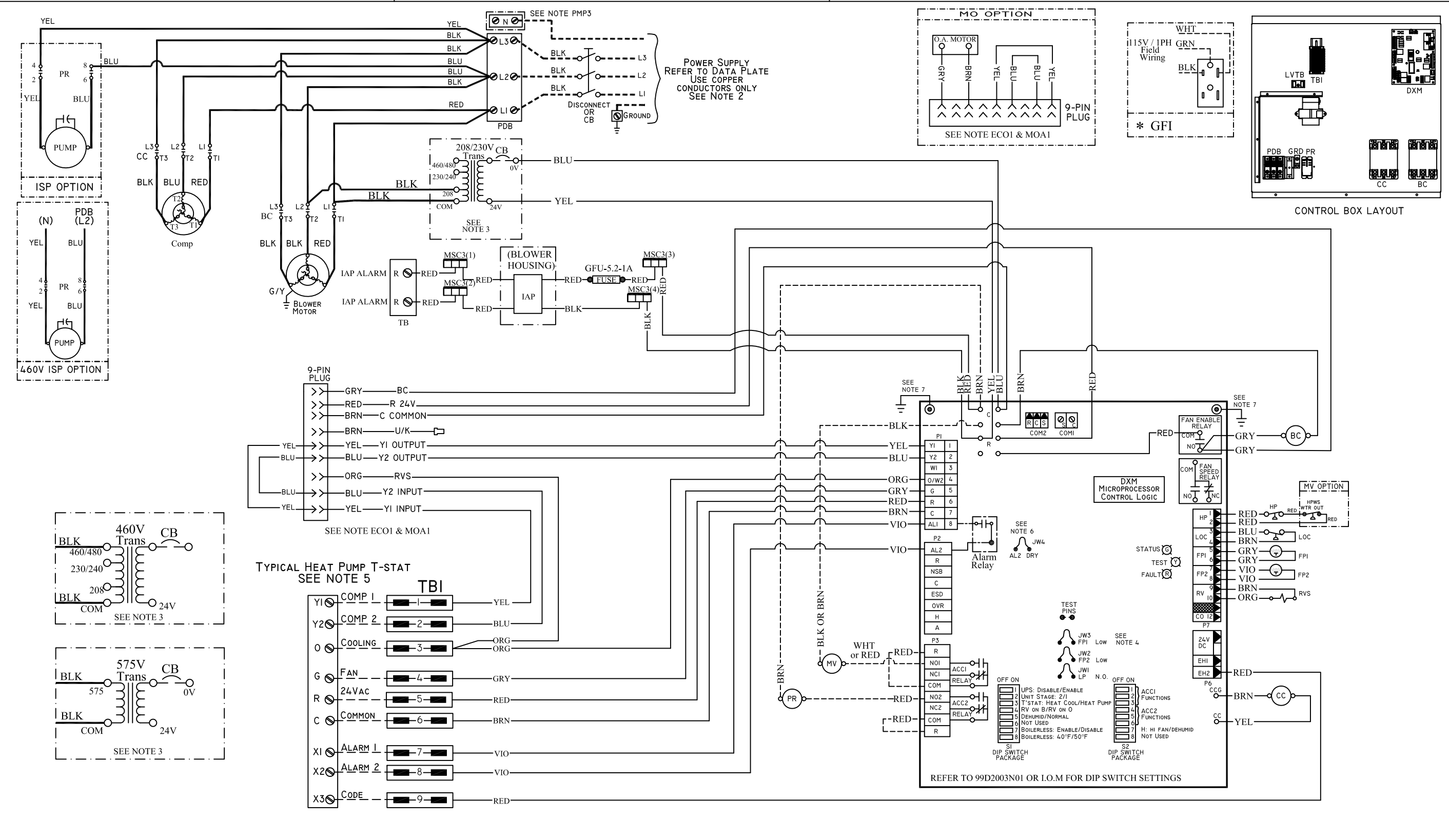
NOTES:

1. Compressor and Blower Motor thermally protected internally.
2. All wiring to the unit must comply with NEC and local codes low voltage wiring shall be Class 2 or equivalent.
3. Transformer wiring is voltage sensitive. Use the layout corresponding to the unit voltage. For 208/230 volt units, the factory default is 208V. For 380/420V operation the factory default is 380V.
4. FP1 provides low temperature protection for WATER. When using ANTI-FREEZE solutions, cut JW3 jumper.
5. Typical heat pump thermostat wiring shown. Refer to thermostat IOM for wiring to the unit. T-Stat wiring must be "Class 1" and voltage rating equal to or greater than unit supply voltage.
6. 24V Alarm signal shown. For Dry Alarm contact between AL1 & AL2, cut JW1 for CXM/DXM Gen2 or JW4 DXM.
7. Transformer Secondary Ground via CXM/DXM board standoffs and screws to Control Box.

ECO1. For field installed ECONOMIZER OPTION, remove provided 9 pin male jumper plug and connect to Economizer Harness.

MOA1. For Motorized Outside Air option the standard jumper plug will be replaced with the MO option plug depicted.

PMP3. 460 volt units with Internal Secondary or Circulating Pump for ClimaDry option requires neutral wiring.



AL Alarm Relay Contacts

BM Blower Motor

BMC Blower Motor Capacitor

BR Blower Relay

CAP Capacitor

CB Circuit Breaker

CC Compressor Contractor

CO Condensate Overflow Sensor

CR Compressor Relay

CTB Common Terminal Block

CS Current Sensor

DHW Domestic Hot Water

DM Damper Motor

DTS Discharge Temperature Switch

ES End Switch

EWTS Entering Water Temp Sensor

FP1 Sensor, low temp protection, water coil

FP2 Sensor, low temp protection, air coil

FSS Fan Speed Switch

HP High Pressure Switch

HPWS High Pressure Water Switch

HR Heating Relay

IAP Ionization Air Purifier

JW Jumper Wire

LAT Leaving Air Temperature

LOC Loss of Charge Pressure Switch

LOR Lock Out Relay

LWTS Leaving Water Temp Sensor

MOD Modulating Water Valve

MS Manual Starter

MSC Multi Splice Connector

MWV Motorized Water Valve

PB Power Terminal Block

PDB Power Distribution Block

POT Potentiometer

P1 Field Wiring Terminal Block

RAS Return Air Sensor

RVS Reversing Valve Solenoid

SAC Start Assist Capacitor

TB Terminal Block

TRANS Transformer

TS Terminal Strip

UMT Unit Mounted Thermostat

