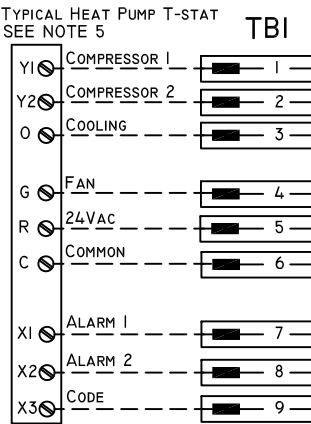
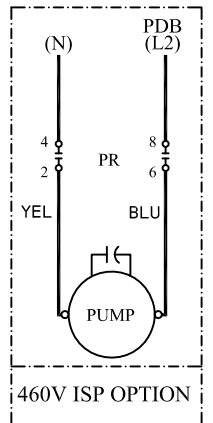
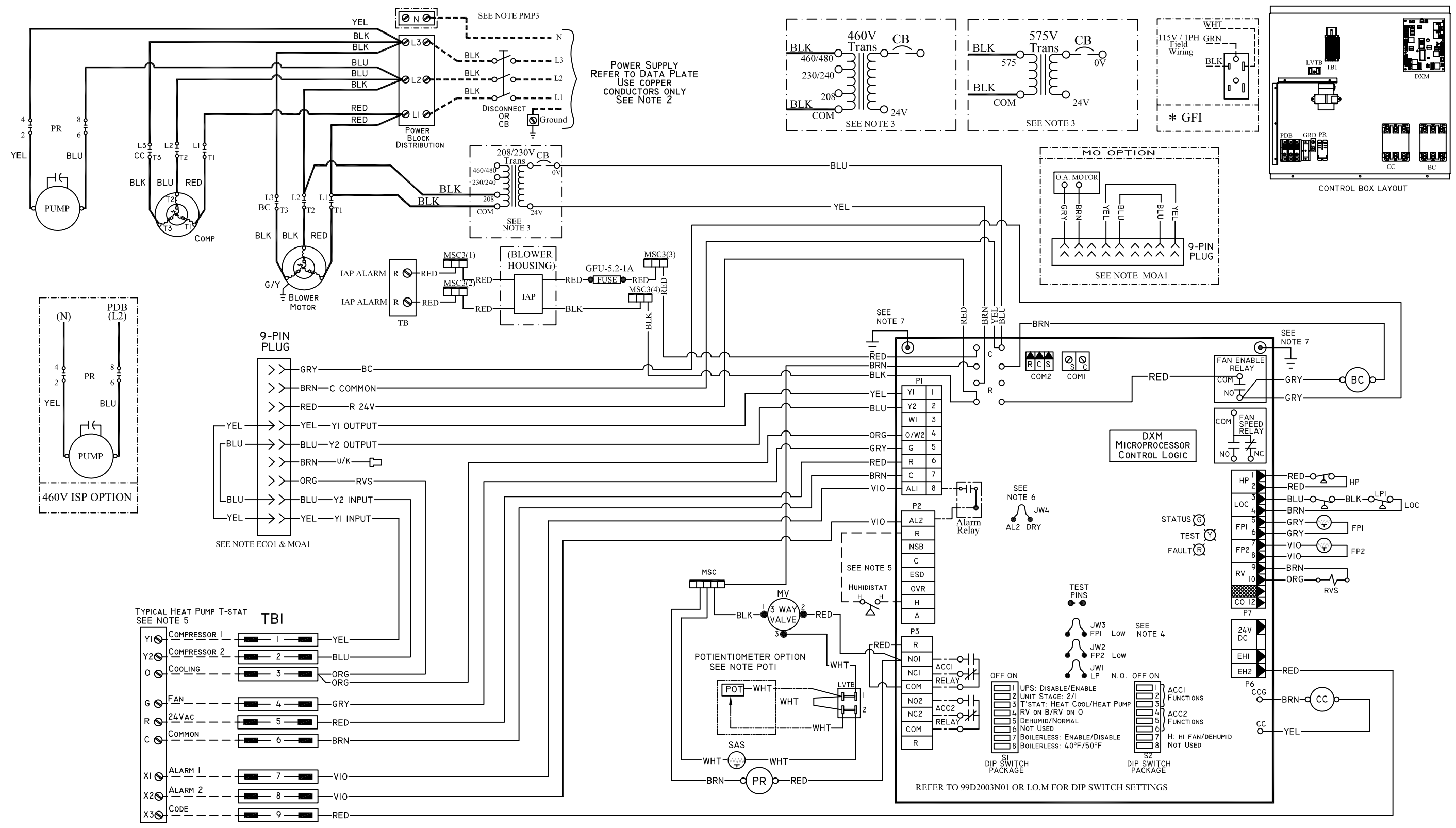


- LEGEND**
- Factory Low voltage Wiring
 - Factory Line Voltage Wiring
 - - - Field Low voltage Wiring
 - - - Field Line voltage Wiring
 - Printed Circuit Trace
 - Optional Wiring
 - Optional Block
 - Capacitor
 - Circuit Breaker
 - Condensate Pan
 - Ground
 - High Pressure Switch
 - LED
 - Low Pressure Switch
 - Mate-N-Lock
 - Multi Splice Connector
 - * Optional
 - OVERLOAD
 - Relay contacts - N.C.
 - Relay contacts - N.O.
 - Relay / Contactor Coil
 - Solenoid Coil
 - Splice Cap
 - Temperature Switch
 - Thermistor
 - Wire Nut

- NOTES:**
1. Compressor and Blower Motor thermally protected internally.
 2. All wiring to the unit must comply with NEC and local codes low voltage wiring shall be Class 2 or equivalent.
 3. Transformer wiring is voltage sensitive. Use the layout corresponding to the unit voltage. For 208/230 volt units, the factory default is 208V. For 380/420V operation the factory default is 380V.
 4. FP1 provides low temperature protection for WATER. When using ANTI-FREEZE solutions, cut JW3 jumper.
 5. Typical heat pump thermostat wiring shown. Refer to thermostat IOM for wiring to the unit. T-Stat wiring must be "Class 1" and voltage rating equal to or greater than unit supply voltage.
 6. 24V Alarm signal shown. For Dry Alarm contact between AL1 & AL2, cut JW4 for CXM/DXM Gen2 or JW4 DXM.

7. Transformer Secondary Ground via CXM/DXM board standoffs and screws to Control Box.
- DXM1. Suffix 1 designates association with Lead compressor, Suffix 2 with Lag compressor. EXCEPTION AL1, AL2, FP1, FP2 ARE PER LEGEND.
- ECO1. For field installed ECONOMIZER OPTION, remove provided 9 pin male jumper plug and connect to Economizer Harness.
- MOA1. For Motorized Outside Air option the standard jumper plug will be replaced with the MO option plug depicted.
- PMP3. 460 volt units with Internal Secondary or Circulating Pump for ClimaDry option requires neutral wiring.
- POT1. Remove Jumper Wire and Connect wires for Potentiometer Accessory Option Place Potentiometer Label Before Knob Installation.

- AL Alarm Relay Contacts
- BM Blower Motor
- BMC Blower Motor Capacitor
- BR Blower Relay
- CAP Capacitor
- CB Circuit Breaker
- CC Compressor Contractor
- CO Condensate Overflow Sensor
- CR Compressor Relay
- CTB Common Terminal Block
- CS Current Sensor
- DHW Domestic Hot Water
- DM Damper Motor
- DTS Discharge Temperature Switch
- ES End Switch
- EWTS Entering Water Temp Sensor
- FP1 Sensor, low temp protection, water coil
- FP2 Sensor, low temp protection, air coil
- FSS Fan Speed Switch
- HP High Pressure Switch
- HPWS High Pressure Water Switch
- HR Heating Relay
- IAP Ionization Air Purifier
- JW Jumper Wire
- LAT Leaving Air Temperature
- LOC Loss of Charge Pressure Switch
- LOR Lock Out Relay
- LWTS Leaving Water Temp Sensor
- MOD Modulating Water Valve
- MS Manual Starter
- MSC Multi Splice Connector
- MWV Motorized Water Valve
- PB Power Terminal Block
- PDB Power Distribution Block
- POT Potentiometer
- P1 Field Wiring Terminal Block
- RAS Return Air Sensor
- RVS Reversing Valve Solenoid
- SAC Start Assist Capacitor
- TB Terminal Block
- TRANS Transformer
- TS Terminal Strip
- UMT Unit Mounted Thermostat



REFER TO 99D2003N01 OR I.O.M FOR DIP SWITCH SETTINGS