

LEGEND

- Factory Low voltage Wiring
- Factory Line Voltage Wiring
- Field Low voltage Wiring
- Field Line voltage Wiring
- Printed Circuit Trace
- Optional Wiring
- Optional Block
- Capacitor
- Circuit Breaker
- Condensate Pan
- Ground
- High Pressure Switch
- LED
- Low Pressure Switch
- Mate-N-Lock
- Multi Splice Connector
- Optional
- OVERLOAD
- Relay contacts - N.C.
- Relay contacts - N.O.
- Relay / Contactor Coil
- Solenoid Coil
- Splice Cap
- Temperature Switch
- Thermistor
- Wire Nut

NOTES:

1. Compressor and Blower Motor thermally protected internally.
2. All wiring to the unit must comply with NEC and local codes low voltage wiring shall be Class 2 or equivalent.
3. 208/230V Transformer will be connected for 208V operation. For 230V operation, disconnect RED lead at L2 and attach ORG lead to L2. Insulate open end of RED lead. 380/420V Transformer will be connected for 380V operation. For 420V operation, disconnect VIO lead at L2 and attach BRN lead to L2. Insulate open end of VIO lead. 460V Transformer will be connected to (BLK/RED) lead. Transformer will be connected to (GRY) lead.
4. FP1 provides low temperature protection for WATER. When using ANTI-FREEZE solutions, cut JW3 jumper.
5. Typical heat pump thermostat wiring shown. Refer to thermostat IOM for wiring to the unit. T-Stat wiring must be "Class 1" and voltage rating equal to or greater than unit supply voltage.

6. 24V Alarm signal shown. For Dry Alarm contact between AL1 & AL2, cut JW1 for CXM/DXM Gen2 or JW4 DXM.
7. Transformer Secondary Ground via CXM/DXM board standoffs and screws to Control Box.

BM7. Blower motor is factory wired for high & low speeds. No other combination is available.

BM8. Blower motor is factor wired for medium & high speeds. For any other combination of speeds, at the motor attach the black wire to the higher of the two desired speed taps, and the blue wire to the lower of the two desired speed taps.

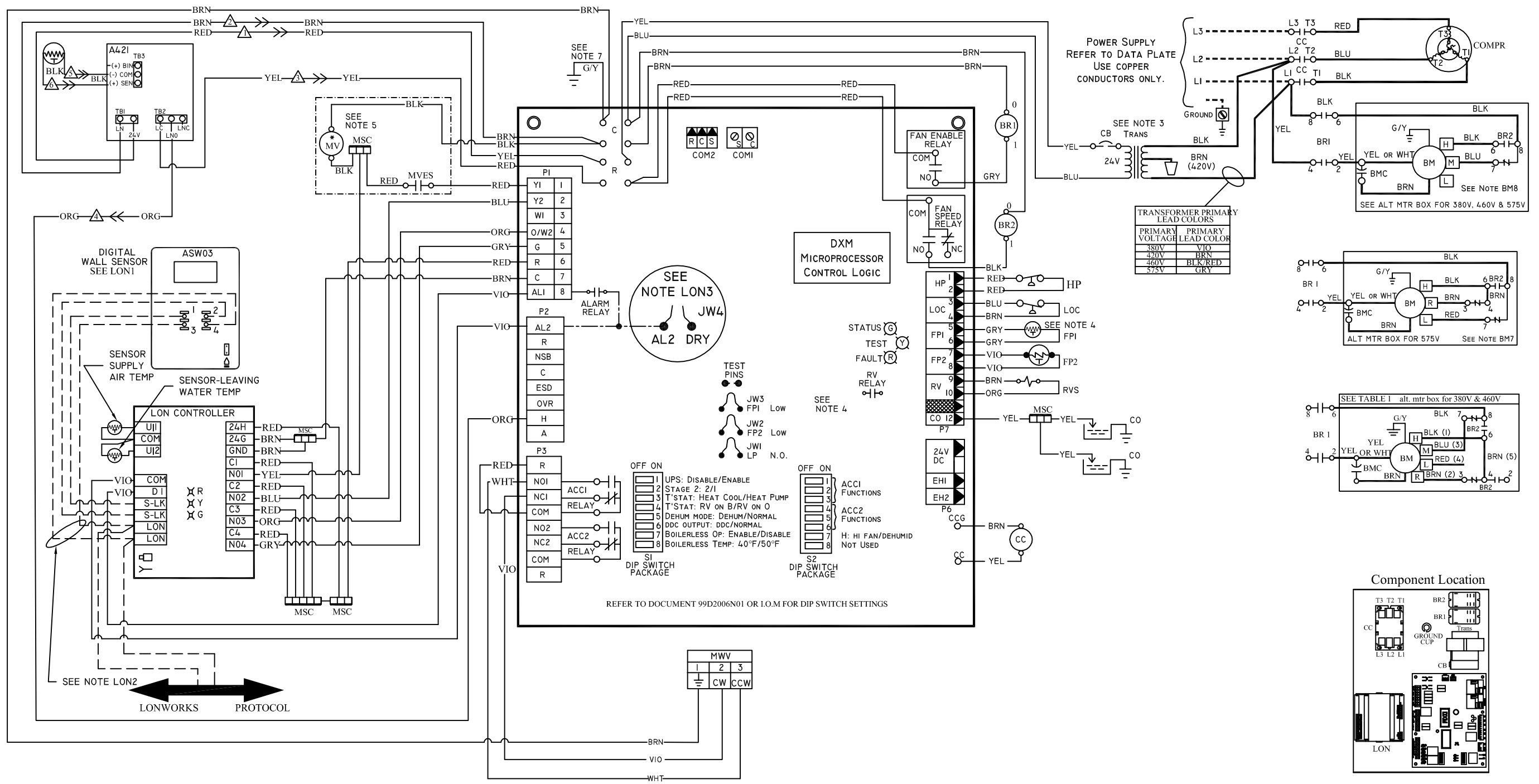
LON1. Refer to LON, OR TSTAT Installation, Application, and Operation Manual for control wiring to the unit.

LON2. Optional LON wires. Only connect if LON connection is desired at the wall sensor.

LON3. Factory cut JW1 (CXM) or JW4 (DXM) jumper. Dry Contact will be available between AL1 and AL2.

BLOWER SPEEDS	WIRE NUMBER				
	1	2	3	4	5
FACTORY HI + MED	BM(H) TO BR2(6)	BM(R) TO BR2(3)	BM(M) TO BR2(7)	NOT USED	BR2(6) TO BR2(4)
HI + LOW	BM(H) TO BR2(6)	BM(R) TO BR2(3)	NOT USED	BM(L) TO BR2(7)	BR2(6) TO BR2(4)
MED + LOW	BM(H) TO BR2(3)	BM(R) TO BR2(3)	BM(M) TO BR2(6)	BM(L) TO BR2(7)	BR2(2) TO BR2(4)

- AL Alarm Relay Contacts
- BM Blower Motor
- BMC Blower Motor Capacitor
- BR Blower Relay
- CAP Capacitor
- CB Circuit Breaker
- CC Compressor Contactor
- CO Condensate Overflow Sensor
- CR Compressor Relay
- CTB Common Terminal Block
- CS Current Sensor
- DHW Domestic Hot Water
- DM Damper Motor
- DTS Discharge Temperature Switch
- ES End Switch
- EWTS Entering Water Temp Sensor
- FP1 Sensor, low temp protection, water coil
- FP2 Sensor, low temp protection, air coil
- FSS Fan Speed Switch
- HP High Pressure Switch
- HPWS High Pressure Water Switch
- HR Heating Relay
- JW Jumper Wire
- LAT Leaving Air Temperature
- LOC Loss of Charge Pressure Switch
- LOR Lock Out Relay
- LWTS Leaving Water Temp Sensor
- MOD Modulating Water Valve
- MS Manual Starter
- MSC Multi Splice Connector
- MWV Motorized Water Valve
- PB Power Terminal Block
- PDB Power Distribution Block
- POT Potentiometer
- P1 Field Wiring Terminal Block
- PR Pump Relay
- RAS Return Air Sensor
- RVS Reversing Valve Solenoid
- SAS Supply Air Sensor
- SAC Start Assist Capacitor
- TB Terminal Block
- TRANS Transformer
- TS Terminal Strip
- UMT Unit Mounted Thermostat



TRANSFORMER PRIMARY LEAD COLORS

PRIMARY VOLTAGE	PRIMARY LEAD COLOR
380V	VIO
420V	BRN
460V	BLK/RED
575V	GRY

DIP SWITCH SETTINGS

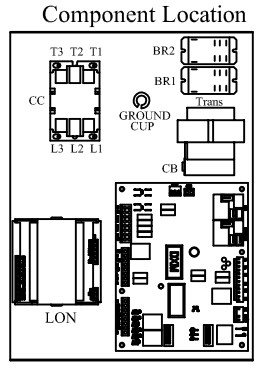
S1 DIP SWITCH PACKAGE

OFF	ON
1	UPS: DISABLE/ENABLE
2	STAGE 2: 2/1
3	T' STAT: HEAT COOL/HEAT PUMP
4	T' STAT: RV ON B/RV ON O
5	DEHUM MODE: DEHUM/NORMAL
6	DDC OUTPUT: DDC/NORMAL
7	BOILERLESS OP: ENABLE/DISABLE
8	BOILERLESS TEMP: 40°F/50°F

S2 DIP SWITCH PACKAGE

OFF	ON
1	ACC1 FUNCTIONS
2	ACC2 FUNCTIONS
3	ACC3 FUNCTIONS
4	ACC4 FUNCTIONS
5	ACC5 FUNCTIONS
6	ACC6 FUNCTIONS
7	ACC7 FUNCTIONS
8	ACC8 FUNCTIONS
9	ACC9 FUNCTIONS
10	ACC10 FUNCTIONS
11	ACC11 FUNCTIONS
12	ACC12 FUNCTIONS
13	ACC13 FUNCTIONS
14	ACC14 FUNCTIONS
15	ACC15 FUNCTIONS
16	ACC16 FUNCTIONS
17	ACC17 FUNCTIONS
18	ACC18 FUNCTIONS
19	ACC19 FUNCTIONS
20	ACC20 FUNCTIONS
21	ACC21 FUNCTIONS
22	ACC22 FUNCTIONS
23	ACC23 FUNCTIONS
24	ACC24 FUNCTIONS
25	ACC25 FUNCTIONS
26	ACC26 FUNCTIONS
27	ACC27 FUNCTIONS
28	ACC28 FUNCTIONS
29	ACC29 FUNCTIONS
30	ACC30 FUNCTIONS
31	ACC31 FUNCTIONS
32	ACC32 FUNCTIONS
33	ACC33 FUNCTIONS
34	ACC34 FUNCTIONS
35	ACC35 FUNCTIONS
36	ACC36 FUNCTIONS
37	ACC37 FUNCTIONS
38	ACC38 FUNCTIONS
39	ACC39 FUNCTIONS
40	ACC40 FUNCTIONS
41	ACC41 FUNCTIONS
42	ACC42 FUNCTIONS
43	ACC43 FUNCTIONS
44	ACC44 FUNCTIONS
45	ACC45 FUNCTIONS
46	ACC46 FUNCTIONS
47	ACC47 FUNCTIONS
48	ACC48 FUNCTIONS
49	ACC49 FUNCTIONS
50	ACC50 FUNCTIONS
51	ACC51 FUNCTIONS
52	ACC52 FUNCTIONS
53	ACC53 FUNCTIONS
54	ACC54 FUNCTIONS
55	ACC55 FUNCTIONS
56	ACC56 FUNCTIONS
57	ACC57 FUNCTIONS
58	ACC58 FUNCTIONS
59	ACC59 FUNCTIONS
60	ACC60 FUNCTIONS
61	ACC61 FUNCTIONS
62	ACC62 FUNCTIONS
63	ACC63 FUNCTIONS
64	ACC64 FUNCTIONS
65	ACC65 FUNCTIONS
66	ACC66 FUNCTIONS
67	ACC67 FUNCTIONS
68	ACC68 FUNCTIONS
69	ACC69 FUNCTIONS
70	ACC70 FUNCTIONS
71	ACC71 FUNCTIONS
72	ACC72 FUNCTIONS
73	ACC73 FUNCTIONS
74	ACC74 FUNCTIONS
75	ACC75 FUNCTIONS
76	ACC76 FUNCTIONS
77	ACC77 FUNCTIONS
78	ACC78 FUNCTIONS
79	ACC79 FUNCTIONS
80	ACC80 FUNCTIONS
81	ACC81 FUNCTIONS
82	ACC82 FUNCTIONS
83	ACC83 FUNCTIONS
84	ACC84 FUNCTIONS
85	ACC85 FUNCTIONS
86	ACC86 FUNCTIONS
87	ACC87 FUNCTIONS
88	ACC88 FUNCTIONS
89	ACC89 FUNCTIONS
90	ACC90 FUNCTIONS
91	ACC91 FUNCTIONS
92	ACC92 FUNCTIONS
93	ACC93 FUNCTIONS
94	ACC94 FUNCTIONS
95	ACC95 FUNCTIONS
96	ACC96 FUNCTIONS
97	ACC97 FUNCTIONS
98	ACC98 FUNCTIONS
99	ACC99 FUNCTIONS
100	ACC100 FUNCTIONS

H: HI FAN/DEHUMID NOT USED



REFER TO DOCUMENT 99D2006N01 OR I.O.M FOR DIP SWITCH SETTINGS