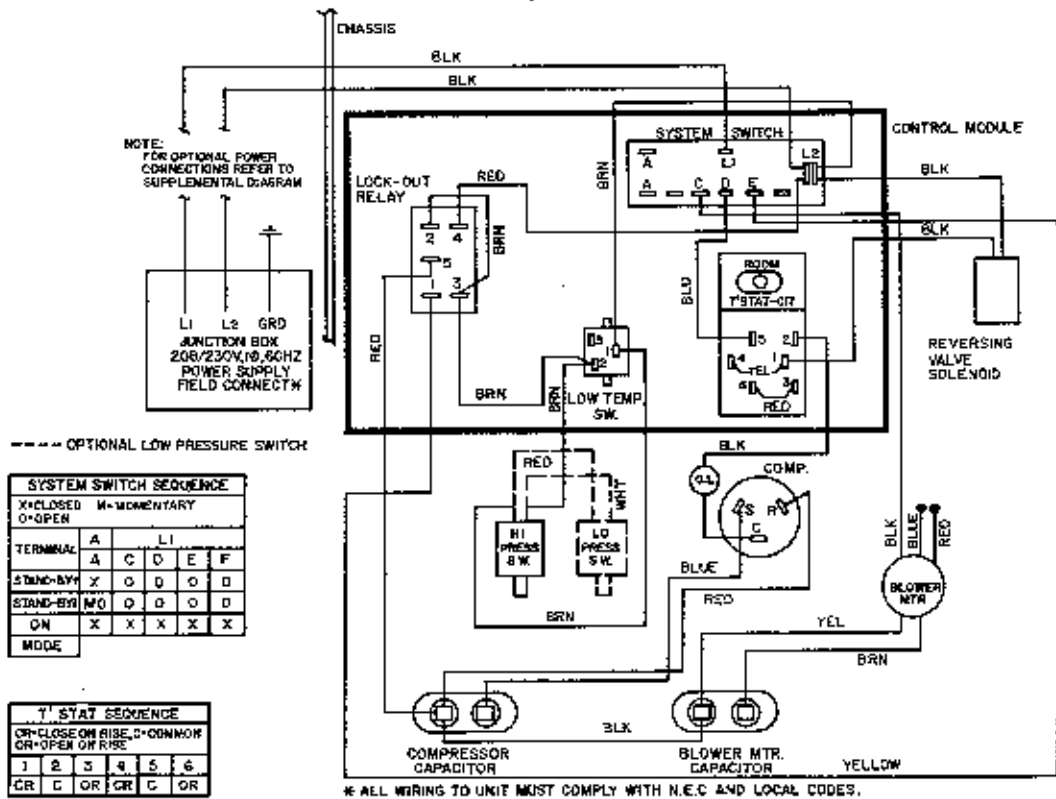
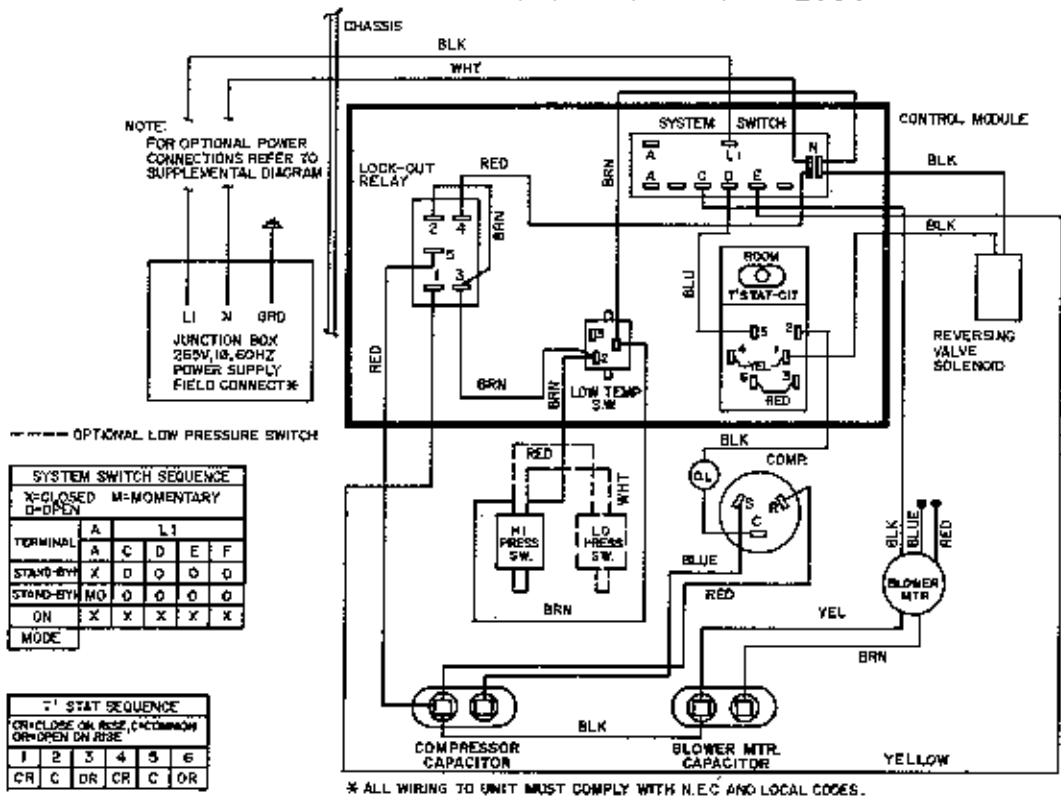




## 2 BUTTON AUTOMATIC CHANGE OVER 208/230V



## 2 BUTTON AUTOMATIC CHANGE OVER - 265V



**Friedrich** Climate Master Series

**801-08-10**

**WIRING DIAGRAM**

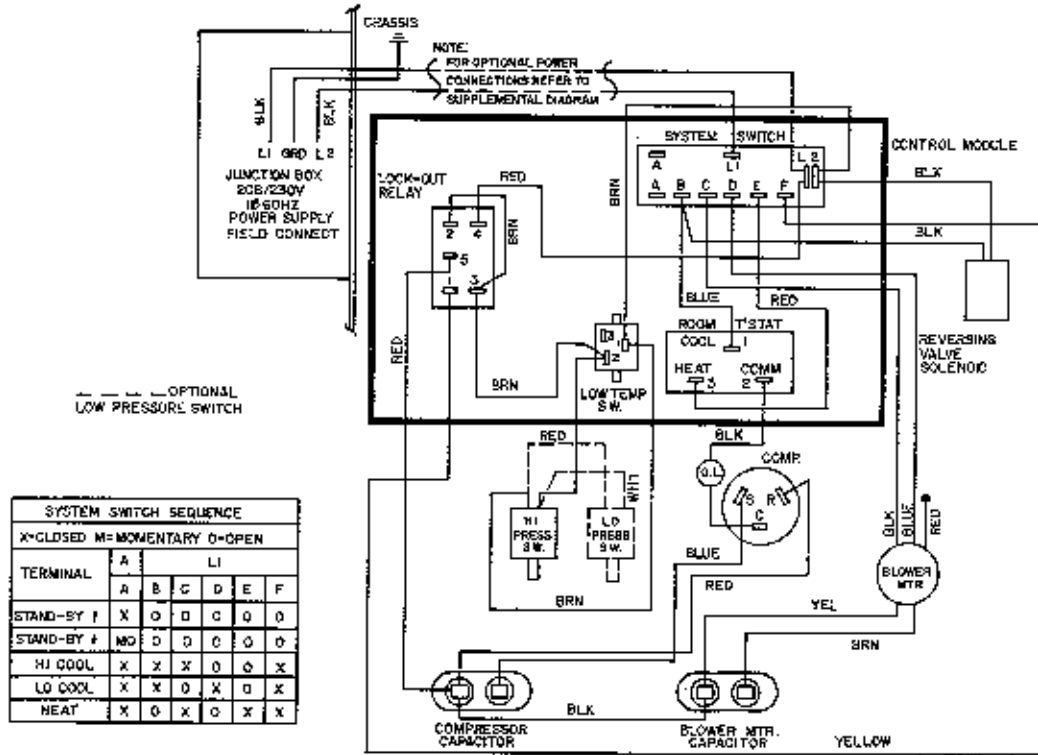
CERTIFICATIONS



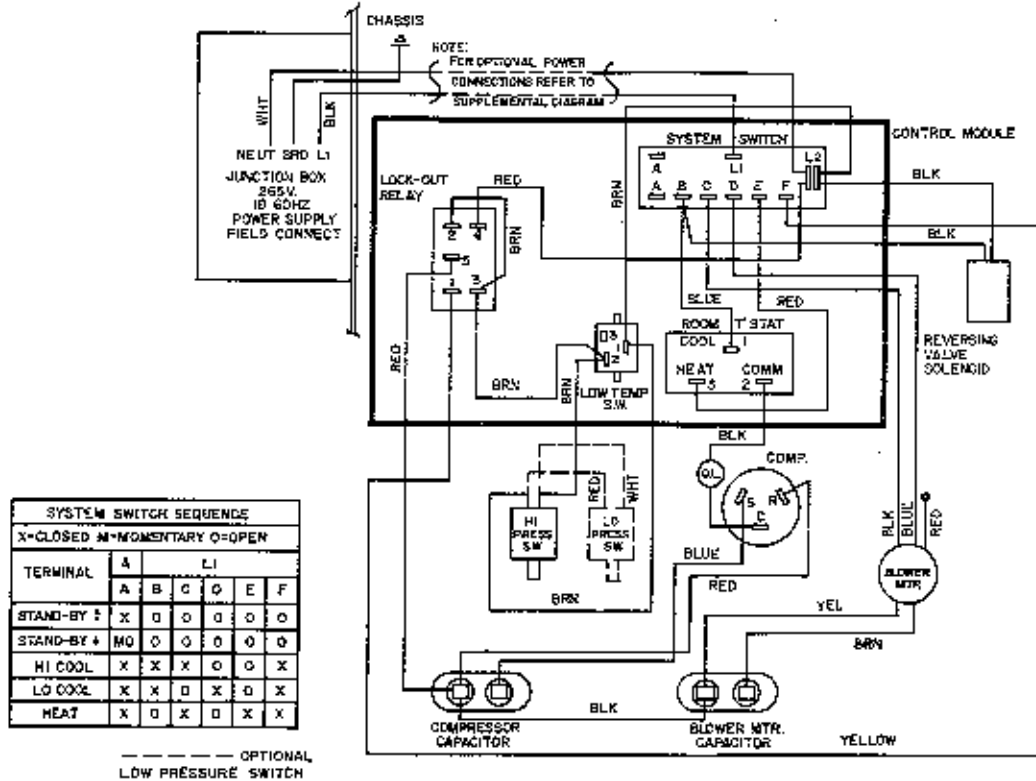
CONTINUING ENGINEERING RESEARCH RESULTS IN STEADY IMPROVEMENT. THEREFORE, THESE SPECIFICATIONS ARE SUBJECT TO CHANGE WITHOUT NOTICE.  
PRINTED IN U.S.A.

**FCM 801-08, 10-D1**

### 4 BUTTON MANUAL CHANGE OVER 208/230V



### 4 BUTTON MANUAL CHANGE OVER - 265V



**Friedrich** Climate Master Series

801-12

WIRING DIAGRAM

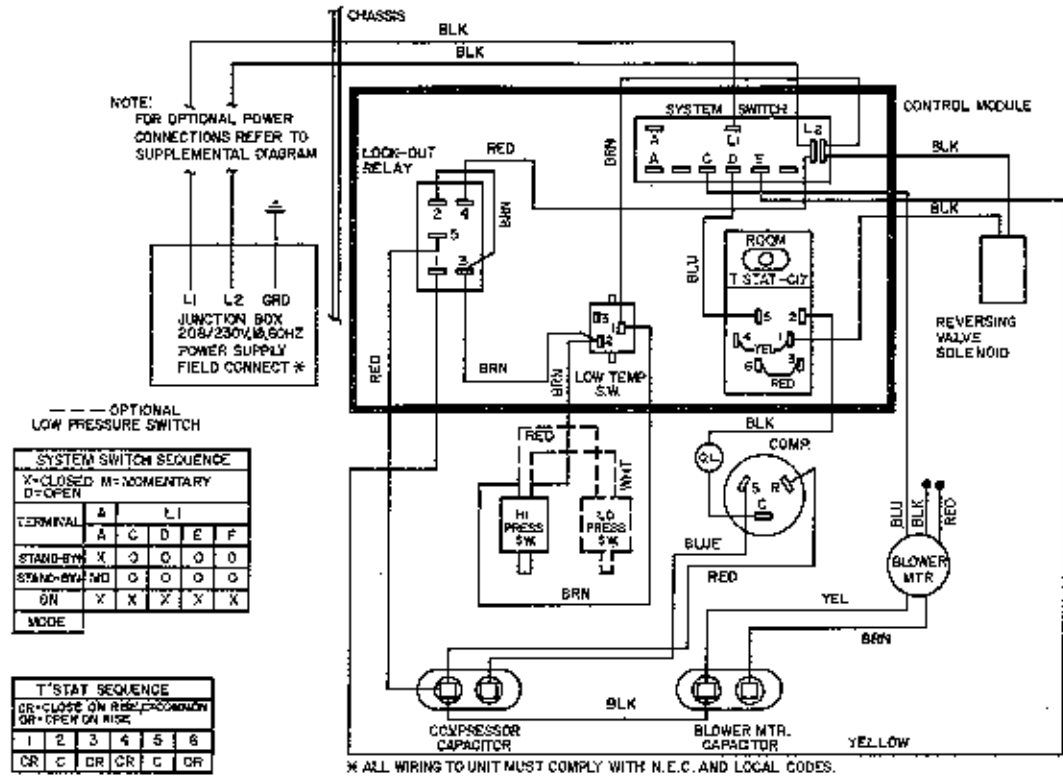
CERTIFICATIONS



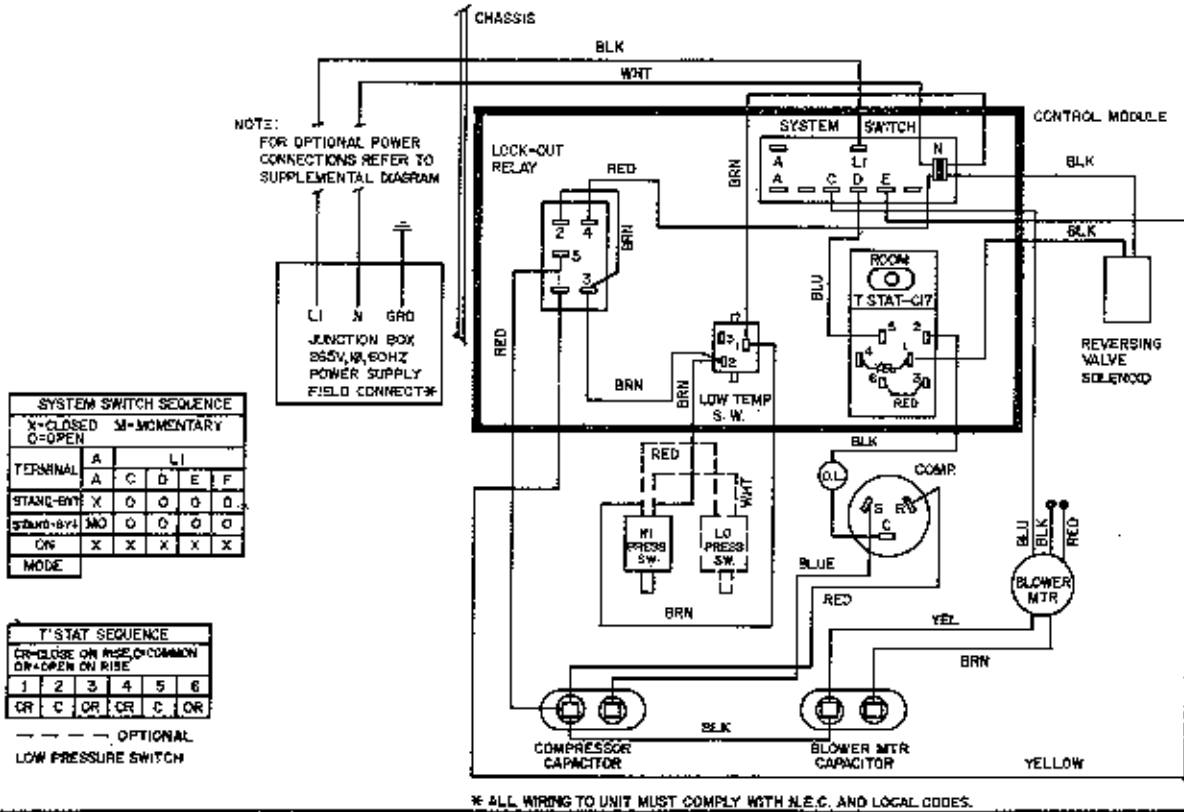
CONTINUING ENGINEERING RESEARCH RESULTS IN STEADY IMPROVEMENT. THEREFORE, THESE SPECIFICATIONS ARE SUBJECT TO CHANGE WITHOUT NOTICE.  
PRINTED IN U.S.A.

FCM 801-12-D

## 2 BUTTON AUTOMATIC CHANGE OVER 208/230V



## 2 BUTTON AUTOMATIC CHANGE OVER 265V



**Friedrich** Climate Master Series

# 801-12

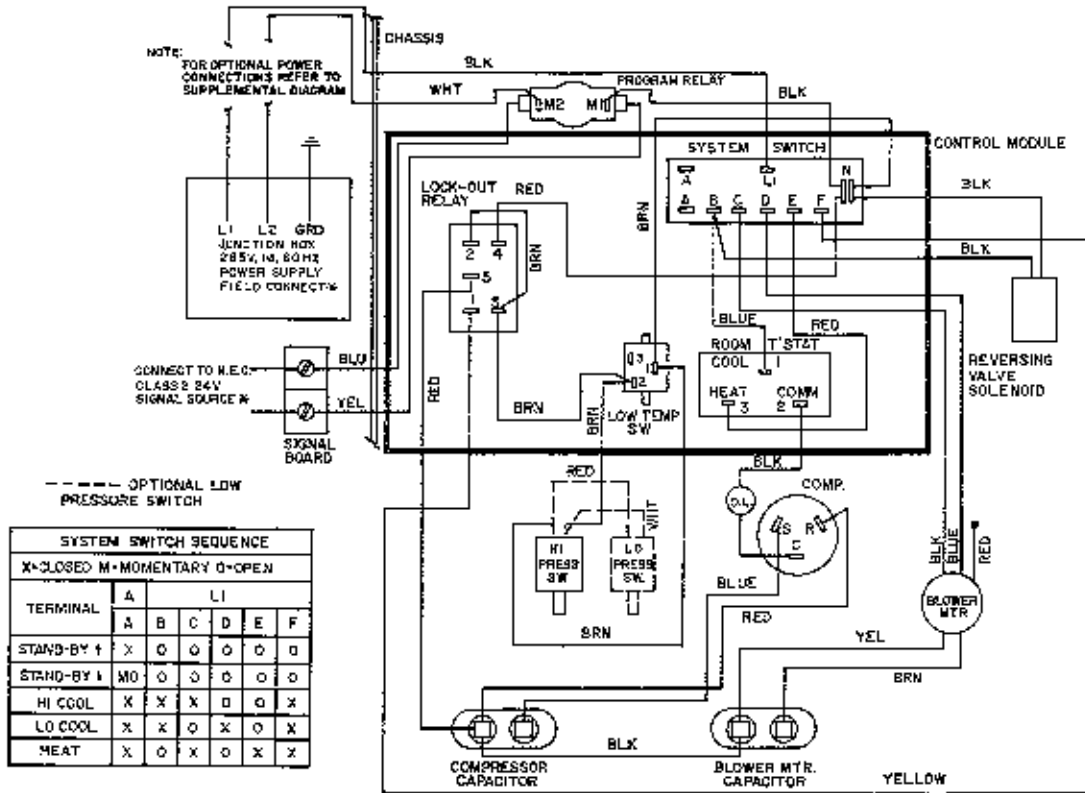
## WIRING DIAGRAM



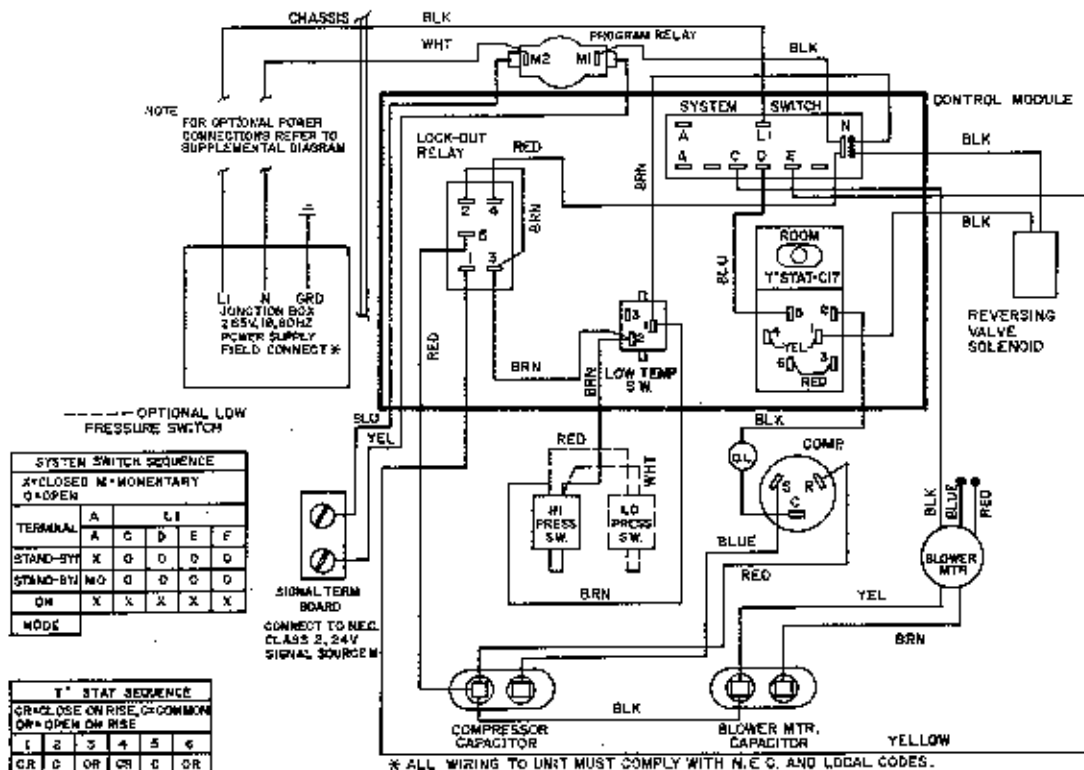
CONTINUING ENGINEERING RESEARCH RESULTS IN STEADY IMPROVEMENT THEREFORE THESE SPECIFICATIONS ARE SUBJECT TO CHANGE WITHOUT NOTICE. PRINTED IN U.S.A.

## FCM 801-12-D1

### 4 BUTTON MANUAL CHANGE OVER W/PROGRAM RELAY - 265V



### 2 BUTTON AUTOMATIC CHANGE OVER W/PROGRAM RELAY - 265V



**Friedrich** Climate Master Series

**801-12**

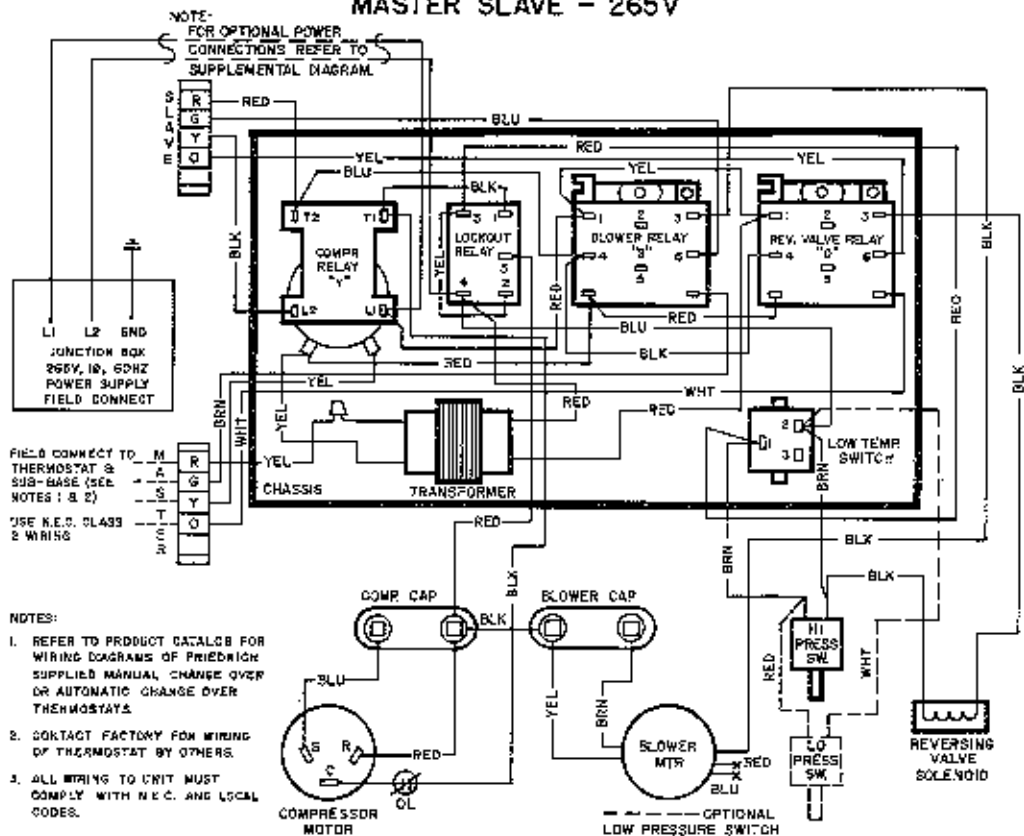
**WIRING DIAGRAM**



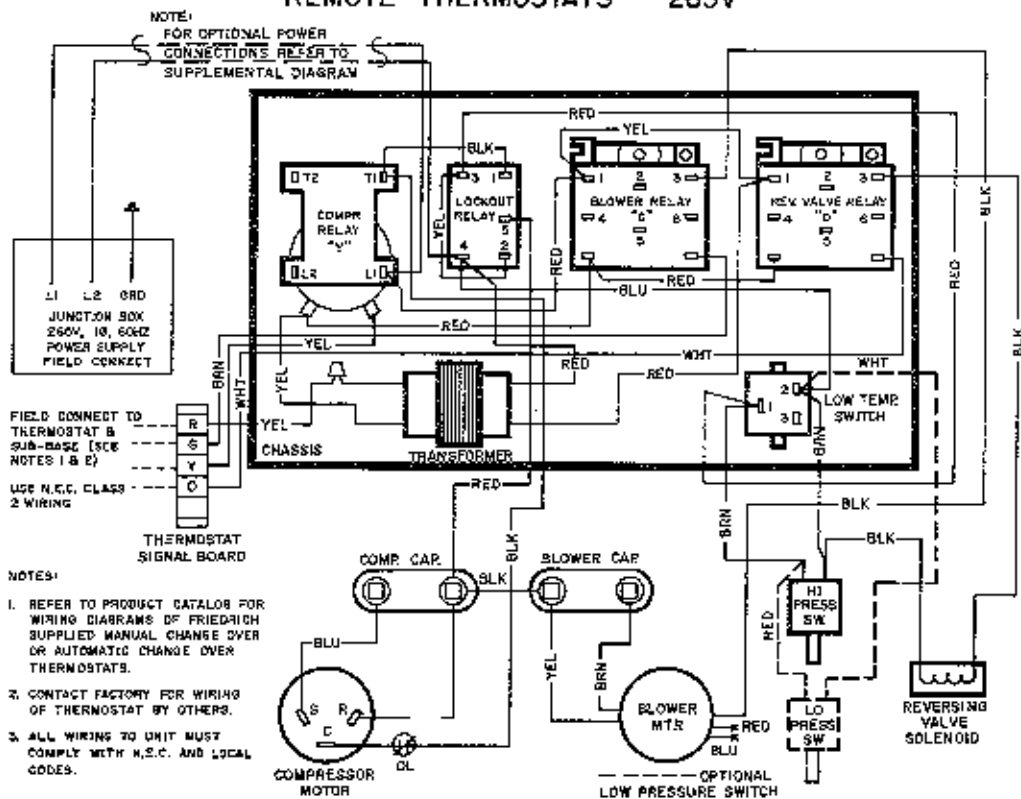
CONTINUING ENGINEERING RESEARCH RESULTS IN STEADY IMPROVEMENT. THEREFORE, THESE SPECIFICATIONS ARE SUBJECT TO CHANGE WITHOUT NOTICE. PRINTED IN U.S.A.

**FCM 801-12-D2**

## MASTER SLAVE - 265V



## REMOTE THERMOSTATS - 265V



**Friedrich** Climate Master Series

# 801-12

## WIRING DIAGRAM

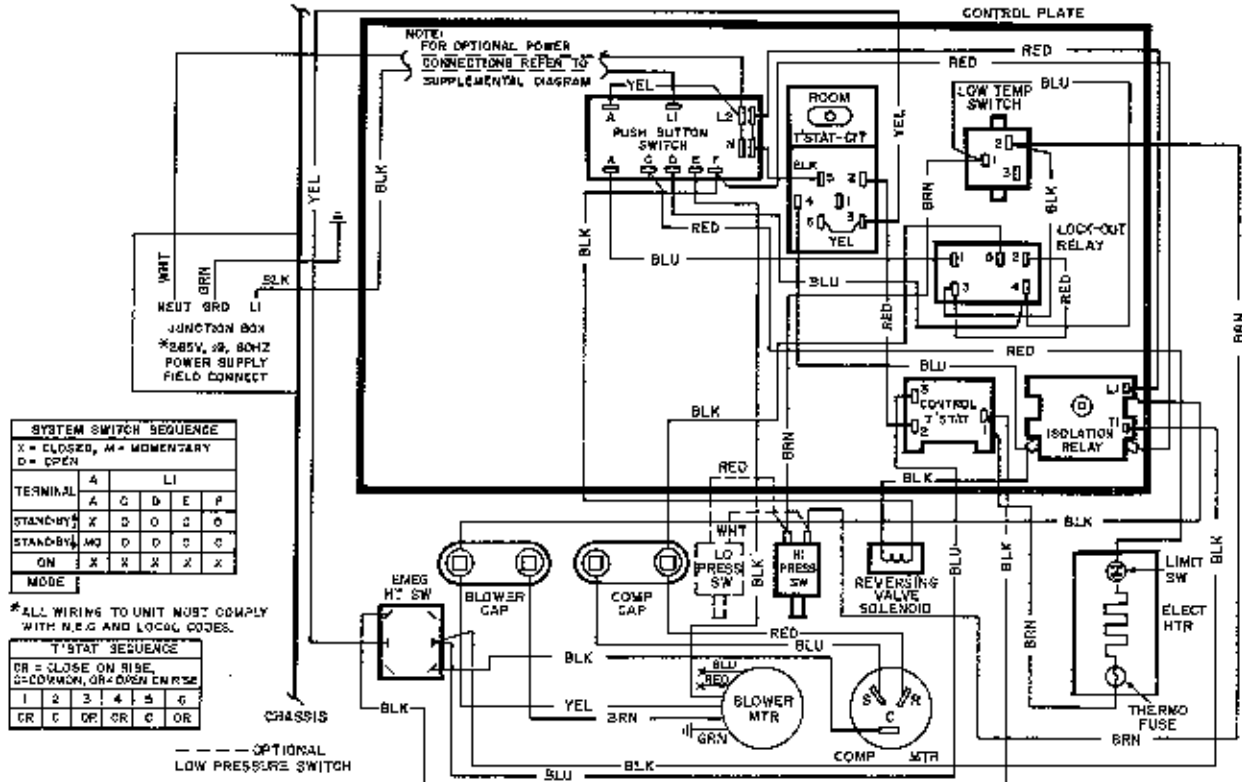
— CERTIFICATIONS —



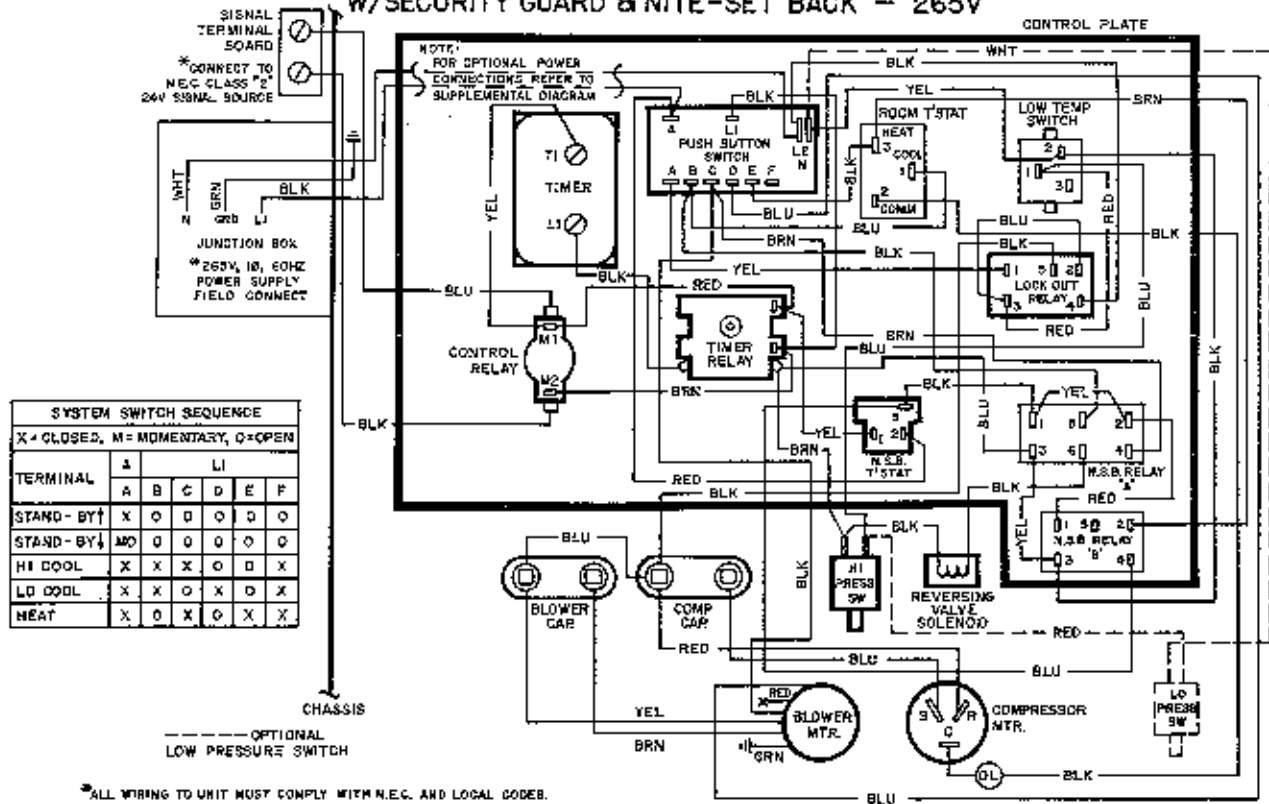
CONTINUING ENGINEERING RESEARCH RESULTS IN STEADY IMPROVEMENT. THEREFORE, THESE SPECIFICATIONS ARE SUBJECT TO CHANGE WITHOUT NOTICE.  
PRINTED IN U.S.A.

## FCM 801-12-D3

## BOILERLESS 2 BUTTON AUTO CHANGE OVER - 265V



## 4 BUTTON MANUAL CHANGE OVER W/SECURITY GUARD & NITE-SET BACK - 265V



**Friedrich** Climate Master Series

# 801-12

## WIRING DIAGRAM

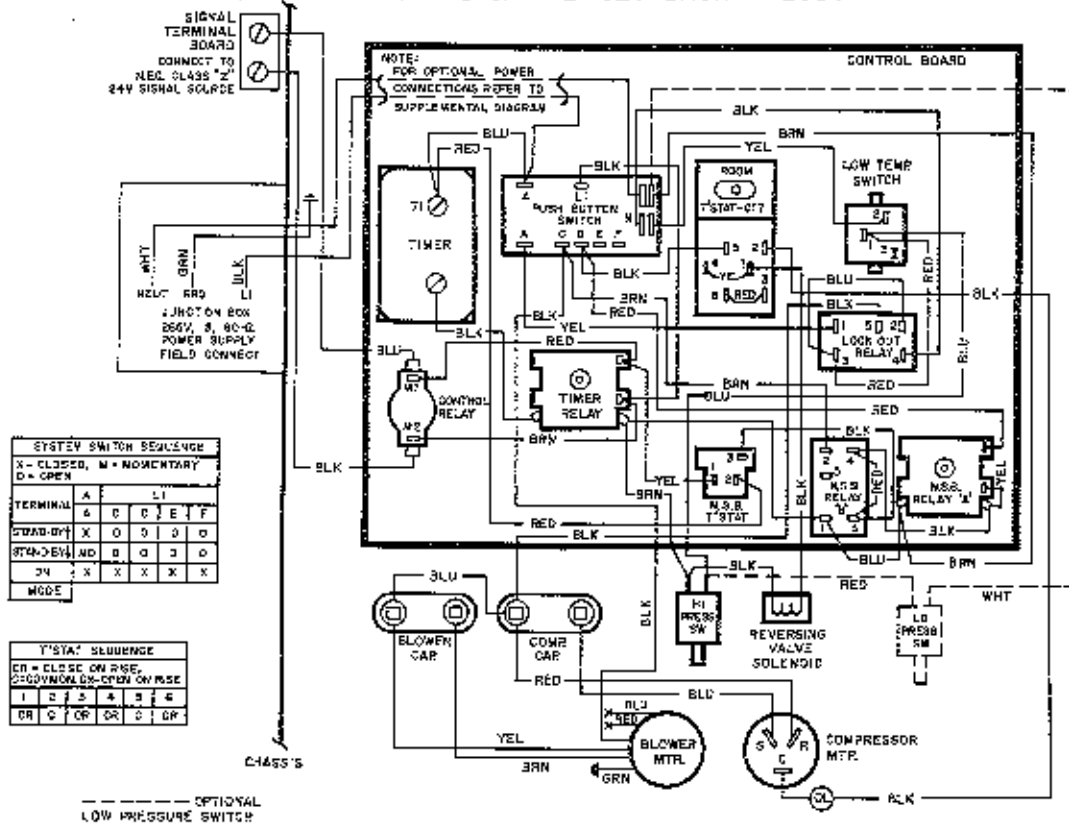
- CERTIFICATIONS -



CONTINUING ENGINEERING RESEARCH RESULTS IN STEADY IMPROVEMENT. THEREFORE, THESE SPECIFICATIONS ARE SUBJECT TO CHANGE WITHOUT NOTICE. PRINTED IN U.S.A.

## FCM 801-12-D4

## 2 BUTTON AUTO CHANGE OVER W/SECURITY GUARD & NITE-SET BACK - 265V



SYSTEM SWITCH SEQUENCE						
X = CLOSED, M = MOMENTARY O = OPEN						
TERMINAL	A	B	C	E	F	
STAND-BY	X	O	O	O	O	O
STAN-BY	ND	O	O	O	O	O
MODE	X	X	X	X	X	X

T'STAT SEQUENCE					
EN = CLOSE ON RISE, OPEN ON FALL					
	1	2	3	4	5
OR	C	OP	OR	C	OR

**Friedrich** Climate Master Series

**801-12**

**WIRING DIAGRAM**

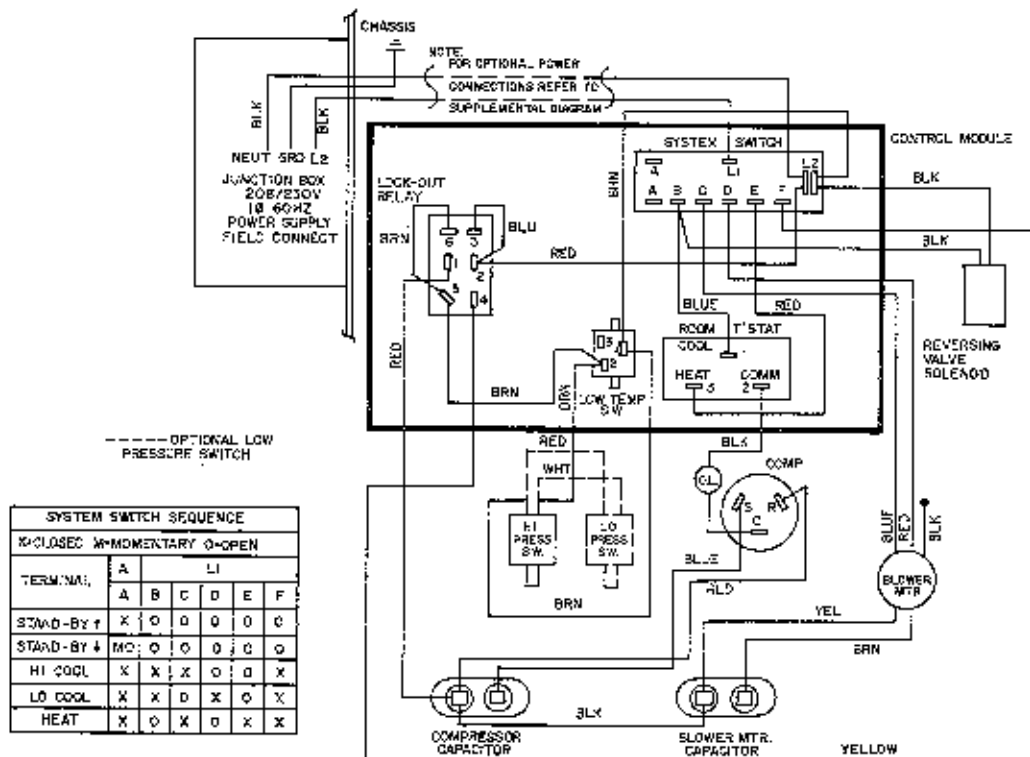
CERTIFICATIONS



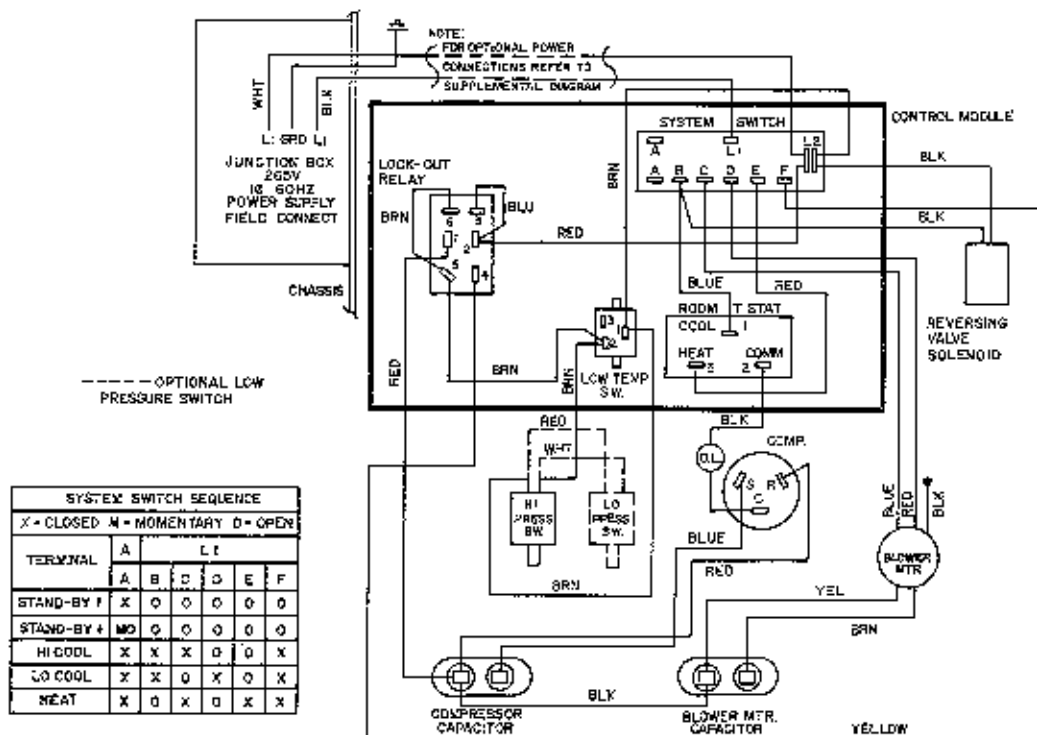
CONTINUING ENGINEERING RESEARCH RESULTS IN STEADY  
IMPROVEMENT. THEREFORE, THESE SPECIFICATIONS ARE  
SUBJECT TO CHANGE WITHOUT NOTICE  
PRINTED IN U.S.A.

**FCM 801-12-D5**

### 4 BUTTON MANUAL CHANGE OVER 208/230V



### 4 BUTTON MANUAL CHANGE OVER - 265V



**Friedrich** Climate Master Series

801-15

WIRING DIAGRAM

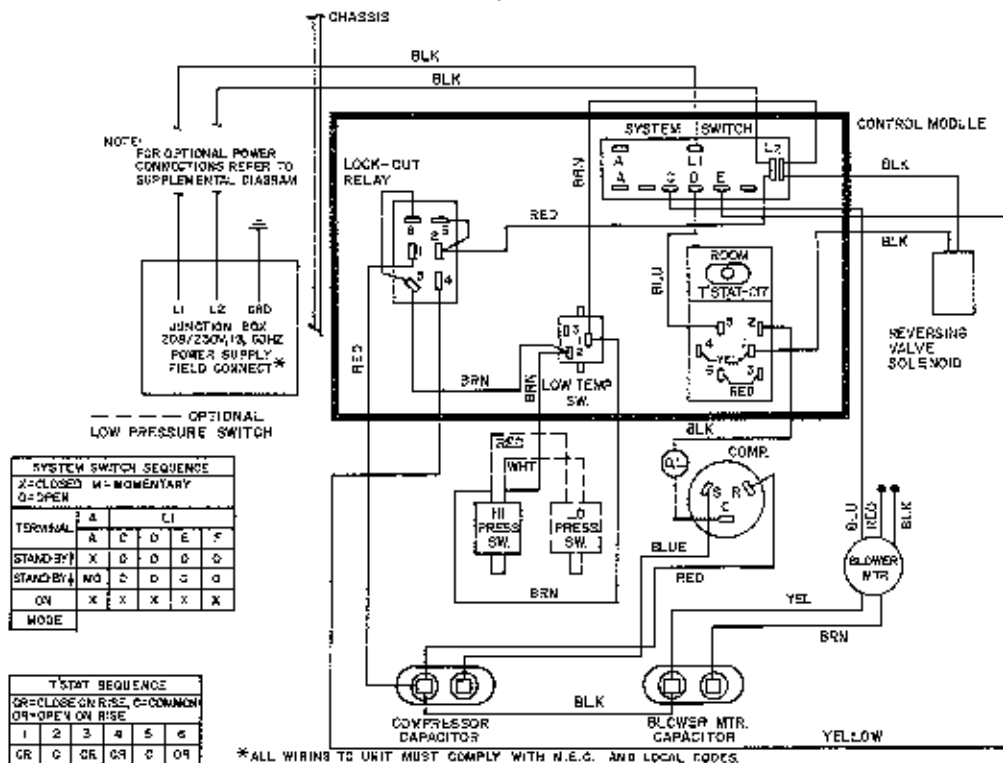
CERTIFICATIONS



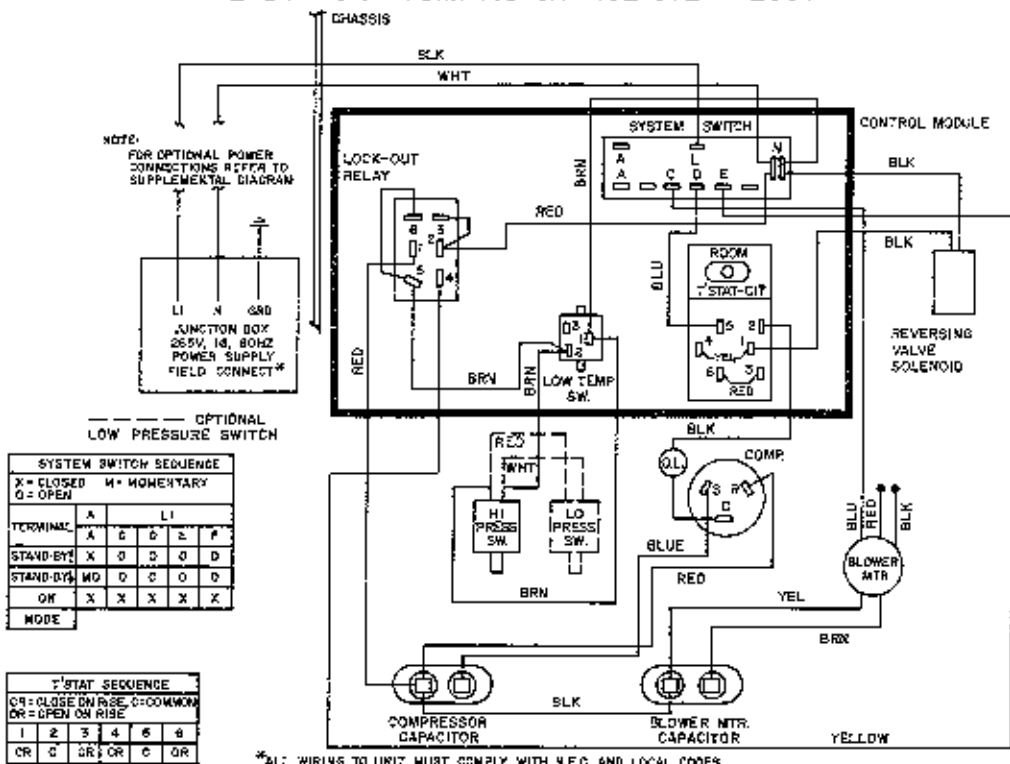
CONTINUING ENGINEERING RESEARCH RESULTS IN STEADY IMPROVEMENT. THEREFORE, THESE SPECIFICATIONS ARE SUBJECT TO CHANGE WITHOUT NOTICE.  
PRINTED IN U.S.A.

FCM 801-15-D

## 2 BUTTON AUTOMATIC CHANGE OVER 208/230V



## 2 BUTTON AUTOMATIC CHANGE OVER - 265V



**Friedrich** Climate Master Series

**801-15**

**WIRING DIAGRAM**

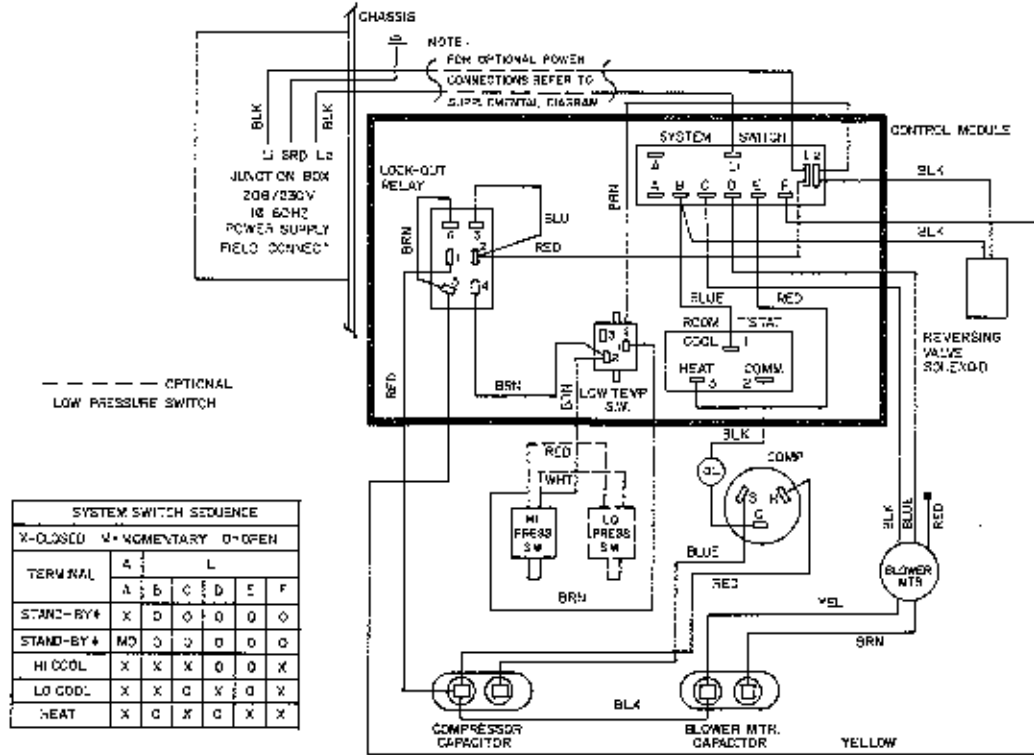
CERTIFICATIONS



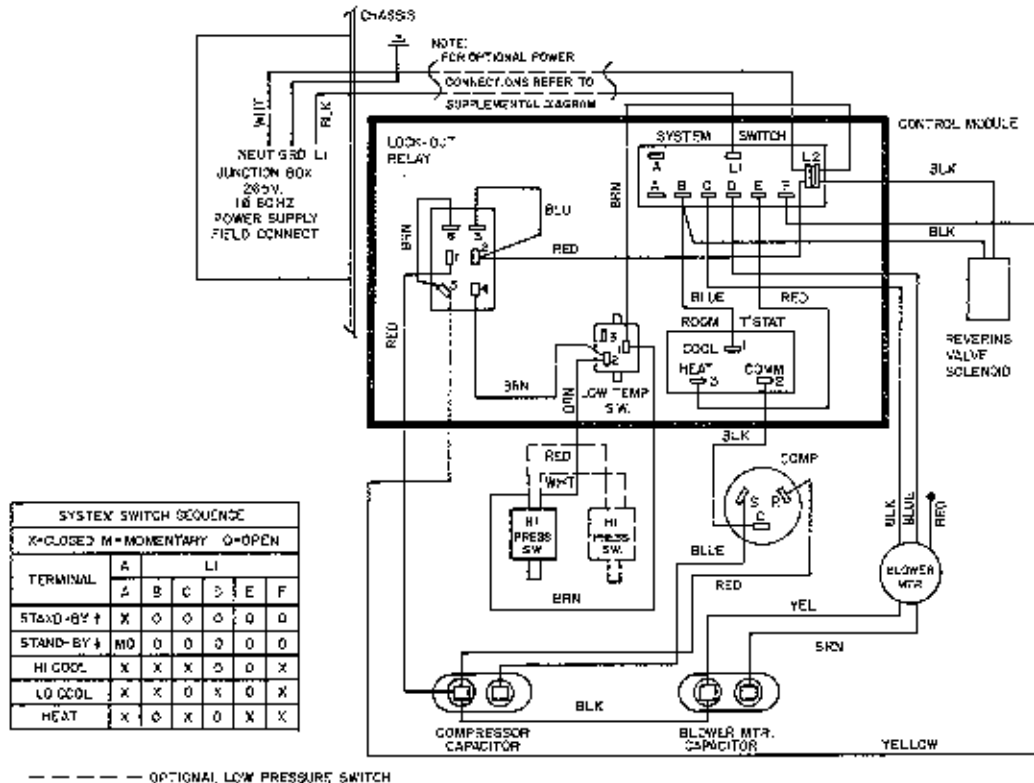
CONTINUING ENGINEERING RESEARCH RESULTS IN STEADY IMPROVEMENT. THEREFORE, THESE SPECIFICATIONS ARE SUBJECT TO CHANGE WITHOUT NOTICE.  
PRINTED IN U.S.A.

**FCM 801-15-D1**

### 4 BUTTON MANUAL CHANGE OVER 208/230V



### 4 BUTTON MANUAL CHANGE OVER - 265V



**Friedrich** Climate Master Series

801-19

WIRING DIAGRAM

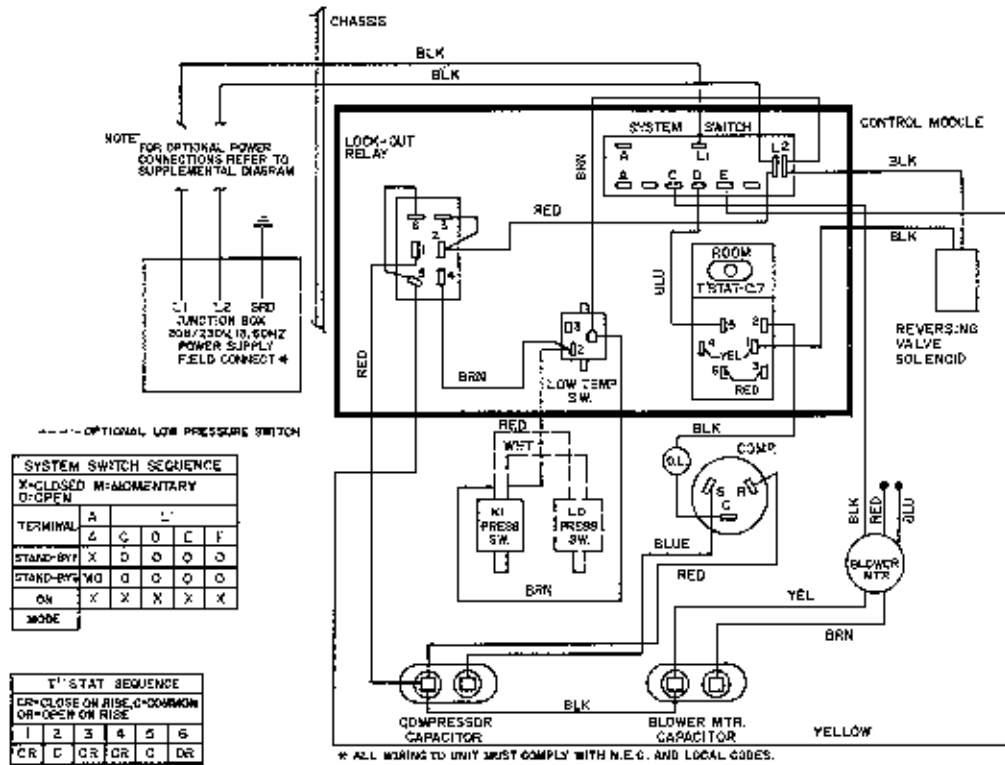
CERTIFICATIONS



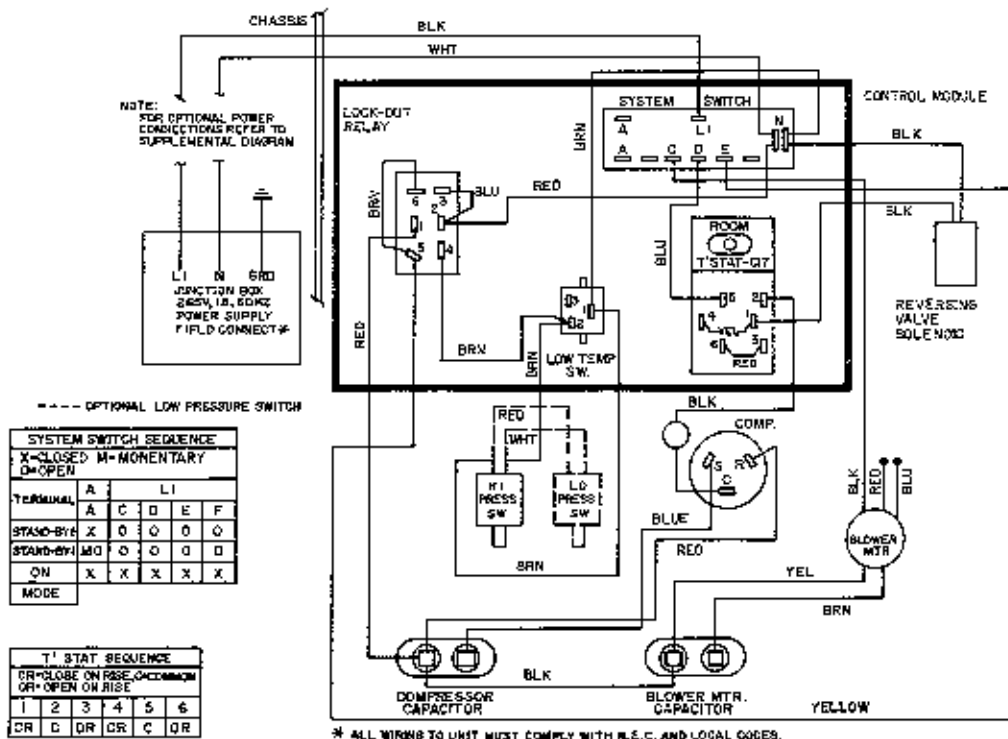
CONTINUING ENGINEERING RESEARCH RESULTS IN STEADY IMPROVEMENT. THEREFORE, THESE SPECIFICATIONS ARE SUBJECT TO CHANGE WITHOUT NOTICE. PRINTED IN U.S.A.

FCM 801-19-D

## 2 BUTTON AUTOMATIC CHANGE OVER 208/230V



## 2 BUTTON AUTOMATIC CHANGE OVER - 265V



**Friedrich** Climate Master Series

**801-19**

**WIRING DIAGRAM**

CERTIFICATIONS



CONTINUING ENGINEERING RESEARCH RESULTS IN STEADY IMPROVEMENT. THEREFORE, THESE SPECIFICATIONS ARE SUBJECT TO CHANGE WITHOUT NOTICE.  
PRINTED IN U.S.A.

**FCM 801-19-D1**