



CLIMATE MASTER®
PERFORMANCE DATA
Model 816-10

Submittal Data

Contractor: _____ P.O.: _____
 Engineer: _____
 Project Name: _____ Unit Tag: _____

Rated Air Flow 320 CFM

Cooling Performance - EAT 80/67 F
EER 71.4 @ ARI 320

Heating Performance - EAT 70 F
COP 3.8 @ ARI 320

GPM	EWB-F	TOTAL BTUH	SENS BTUH	HEAT OF REJECTION BTUH	POWER INPUT WATTS	HEATING BTUH	HEAT OF ABSORPTION BTUH	POWER INPUT WATTS	Unit Water Pressure (drop) FT.H2O
1.2	45	8530	6540	11800	580	8800	6300	740	1.5
1.7	50	10390	8670	12500	630	9300	6700	780	2.1
2.2	50	10360	8670	12500	630	9650	7020	770	4.2
2.7	50	10390	8670	12500	630	9300	7020	780	6
1.2	50	8510	6500	11800	580	8900	6300	700	1.5
1.7	50	10360	8670	12500	630	9600	6600	770	2.1
2.2	50	10360	8670	12500	630	9600	6600	770	4.2
2.7	50	10360	8670	12500	630	9600	6600	770	6
1.2	60	9580	7200	11800	650	8800	6300	740	1.5
1.7	60	9700	7200	11800	630	9300	6700	760	2.1
2.2	60	9800	7200	11800	650	9650	7020	770	4.2
2.7	60	9800	7200	11800	600	9300	7020	780	6
1.2	70	8650	5600	10470	680	8900	7100	810	1.5
1.7	70	8850	5600	10600	660	10100	7500	810	2.1
2.2	70	9050	5600	11260	640	10600	7800	817	4.2
2.7	70	9260	5600	11710	630	10700	7900	820	6
1.2	85	7870	5500	10600	760	11200	8100	830	1.5
1.7	85	8190	5600	10700	740	11450	8200	830	2.1
2.2	85	8300	5700	10700	720	11300	8200	840	4.2
2.7	85	8450	5700	10870	700	11600	8700	840	6
1.2	90	7630	5200	10500	790				1.5
1.7	90	7910	5500	10800	760				2.1
2.2	90	8100	5600	10600	740				4.2
2.7	90	8270	5600	10720	730				6
1.2	95	7410	5400	10170	810				1.5
1.7	95	7660	5400	10360	790				2.1
2.2	95	7840	5500	10470	770				4.2
2.7	95	7900	5500	10540	760				6
1.2	100	7300	5200	10070	850				1.5
1.7	100	7500	5300	10100	830				2.1
2.2	100	7600	5300	10100	810				4.2
2.7	100	7600	5300	10100	790				6
1.2	105	7100	5100	9900	890				1.5
1.7	105	7300	5200	10000	870				2.1
2.2	105	7400	5200	10000	850				4.2
2.7	105	7400	5200	10000	830				6

Shaded areas show extended range option.

Correction Factors

Cooling Corrections						Heating Corrections					
Entering Air Wet Bulb F°	Total Cooling Capacity	Sensible Cooling Capacity Entering Dry Bulb					Heat of Rejection	Entering Air Dry Bulb F°	Heating Capacity	Heat of Absorption	Power Input Watts
		70 F DB	75 F DB	80 F DB	85 F DB	90 F DB					
61	0.975	0.804	1.008	1.242		0.931	60	1.85	1.111	0.94	
64	0.967	0.806	0.897	1.11	1.266	0.961	65	1.027	1.052	0.97	
67	1	0.587	0.756	1	1.154	1	70	1	1	1	
70	1.045		0.624	0.855	1.041	1.298	75	0.971	0.95	1.03	
73	1.097			0.746	0.907	1.184	80	0.938	0.891	1.05	

For Vegetables in Air Flow				Heating Corrections			
CFM	Total Cooling Capacity	Sensible Cooling Capacity	Heat of Rejection	Power Input Watts	Heating Capacity	Heat of Absorption	Power Input Watts
250	0.98	0.564	0.978	0.961	0.985	0.941	0.961
320			1		1		

ClimateMaster works continually to improve its products. As a result, the design and specifications of each product at the time of order may be changed without notice and may not be as described herein. Please contact ClimateMaster's Customer Service Department at 1-800-745-8000 for specific information on the current design and specifications. Statements and other information herein are not express warranties and do not form the basis of any bargain between the parties, but are merely ClimateMaster's opinion or representation of its products.



CLIMATEMASTER®
PERFORMANCE DATA
Model 816-15

Submittal Data

Contractor: _____	P.O.: _____
Engineer: _____	
Project Name: _____	Unit Tag: _____

Rated Air Flow 430 CFM

Cooling Performance - EAT 80/67 F
EER 11.0 @ ARI 320

Heating Performance - EAT 70 F
COP 3.8 @ ARI 320

GPM	EW-F	TOTAL BTUH	SENS BTUH	HEAT OF REJECTION BTUH	POWER INPUT WATTS	HEATING BTUH	HEAT OF ABSORPTION BTUH	POWER INPUT WATTS	Unit Water Pressure drop FT.H2O
2.0	50	14840	9620	17850	800	12850	3000	1080	2.2
2.5	50	15370	9970	18150	910	13550	3000	1100	5.3
3.0	50	15900	10320	18450	980	14250	3000	1120	9.2
4.0	50	16430	10670	18750	1050	14950	3000	1130	14.4
2.0	50	14680	9580	17850	930	13850	3000	1070	2.2
2.5	50	14780	9640	17920	980	14000	3000	1070	5.3
3.0	50	14880	9700	17990	1030	14150	3000	1080	9.2
4.0	50	14980	9760	18060	1080	14300	3000	1090	14.4
1.6	60	14310	9190	17720	1000	12850	3140	1080	2.2
2.5	60	14370	9210	17860	970	13550	3000	1100	5.3
3.3	60	14650	9585	17850	930	14310	3190	1120	9.2
4.1	60	14730	9630	17870	920	14270	3210	1130	14.4
1.6	70	12930	8410	16510	1050	14270	3000	1170	2.2
2.5	70	13190	8560	16640	1070	14240	3100	1180	5.3
3.3	70	13570	8900	16910	980	15000	3340	1190	9.2
4.1	70	13850	9090	17110	990	15660	3160	1190	14.4
1.6	85	11760	8530	15190	1180	16320	3200	1210	2.2
2.5	85	12240	8460	16100	1150	16670	3200	1210	5.3
3.3	85	12400	8560	16220	1120	16840	3280	1220	9.2
4.1	85	12660	8610	16350	1080	16940	3280	1220	14.4
1.6	90	11390	8220	15520	1210				2.2
2.5	90	11820	8370	15810	1170				5.3
3.3	90	12140	8410	16030	1140				9.2
4.1	90	12390	8450	16150	1120				14.4
1.6	95	11080	8120	15350	1250				2.2
2.5	95	11450	8230	15580	1210				5.3
3.3	95	11710	8320	15740	1180				9.2
4.1	95	11870	8370	15860	1170				14.4
2.0	50	10760	7090	13160	1280				2.2
2.5	50	10860	7290	13350	1300				5.3
3.0	50	10960	7490	13540	1320				9.2
4.0	50	11060	7690	13730	1340				14.4
2.0	50	10560	6890	12960	1210				2.2
2.5	50	10660	7090	13150	1230				5.3
3.0	50	10760	7290	13340	1250				9.2
4.0	50	10860	7490	13530	1270				14.4

Shaded areas show extended range option.

Correction Factors

Entering Air Wet Bulb F°	Cooling Corrections						Heating Corrections				
	Total Cooling Capacity	Sensible Cooling Capacity Entering Dry Bulb					Heat of Rejection	Entering Air Dry Bulb F°	Heating Capacity	Heat of Absorption	Power Input Watts
		70 F DB	75 F DB	80 F DB	85 F DB	90 F DB					
51	0.921	0.81	1.005	1.248		0.928	60	1.05	1.093	0.94	
64	0.961	0.709	0.897	1.114	1.266	0.961	65	1.077	1.046	0.97	
67	1	0.567	0.76	1	1.16	1	70	1	1	1	
70	1.042		0.63	0.861	1.046	1.04	75	0.971	0.946	1.03	
73	1.092			0.751	0.907	1.093	80	0.958	0.988	1.06	
For Variations in Air Flow											
CFM	Cooling Corrections			Heating Corrections							
	Total Cooling Capacity	Sensible Cooling Capacity	Heat of Rejection	Power Input Watts	Heating Capacity	Heat of Absorption	Power Input Watts				
290	0.93	0.87	0.929	0.927	0.96	0.941	0.965				
430			1	1	1	1	1				

ClimateMaster works hard to improve its products. As a result, the design and specifications of each product at the time of order may be changed without notice and may not be as described herein. Please contact ClimateMaster's Customer Service Department at 1-800-745-6300 for specific information on the current design and specifications. Statements and other information herein are given without express warranties and do not form the basis of any bargain between the parties, but are merely ClimateMaster's opinion or commercial opinion of its products.

Contractor: _____	P.O.: _____
Engineer: _____	
Project Name: _____	Unit Tag: _____

Rated Air Flow 700 CFM

Cooling Performance - EAT 816W F
EER 11.0 @ ARI 320

Heating Performance - EAJ 70 F
COP 3.8 @ ARI 320

GPM	FW/F	TOTAL BTU/H	SENS BTU/H	HEAT OF REJECTION BTU/H	POWER INPUT WATTS	HEATING BTU/H	HEAT OF ABSORPTION BTU/H	POWER INPUT WATTS	Unit Water Pressure drop FEET/20
2.4	60	20920	15650	25200	1230	12800	13800	1290	9.3
3.8	60	21680	16310	25810	1190	13400	14400	1260	9.2
5.2	60	21890	16540	25940	1170	13500	14500	1250	9.2
6.6	60	21950	16610	25960	1170	13500	14500	1250	9.2
2.4	70	20720	15260	25260	1330	13400	14400	1260	9.3
3.8	70	20870	15400	25370	1270	13400	14400	1260	9.2
5.2	70	21010	15540	25480	1250	13400	14400	1260	9.2
6.6	70	21160	15680	25590	1230	13400	14400	1260	9.2
2.4	85	18600	12430	22430	1670	13040	13950	1280	9.3
3.8	85	17290	12620	22770	1610	12520	13430	1240	9.2
5.2	85	17900	12780	22930	1570	12770	13630	1260	9.2
6.6	85	17870	12830	23130	1540	12980	13780	1260	9.2
2.4	90	16980	12150	21980	1730	12730	13680	1260	9.3
3.8	90	16880	12470	22350	1680	12680	13630	1260	9.2
5.2	90	17130	12540	22660	1620	12680	13630	1260	9.2
6.6	90	17350	12620	22840	1600	12680	13630	1260	9.2
2.4	95	15630	12110	21730	1760	12480	13480	1260	9.3
3.8	95	16400	12250	22020	1720	12480	13480	1260	9.2
5.2	95	16530	12400	22260	1680	12480	13480	1260	9.2
6.6	95	16750	12470	22450	1660	12480	13480	1260	9.2
2.4	100	14180	11240	20340	1970	12280	13280	1260	9.3
3.8	100	14570	11350	20700	1930	12280	13280	1260	9.2
5.2	100	14850	11490	20970	1870	12280	13280	1260	9.2
6.6	100	14980	11580	21030	1870	12280	13280	1260	9.2
2.4	110	12890	10560	19060	2170	12080	13080	1260	9.3
3.8	110	13370	10670	19420	2130	12080	13080	1260	9.2
5.2	110	13650	10810	19690	2070	12080	13080	1260	9.2
6.6	110	13780	10900	19750	2070	12080	13080	1260	9.2

Shaded areas show expanded range region.

Correction Factors

Entering Air Wet Bulb F	Cooling Corrections						Heating Corrections				
	Total Cooling Capacity	Sensible Cooling Capacity Entering Dry Bulb					Heat of Rejection	Entering Air Dry Bulb F	Heating Capacity	Heat of Absorption	Power Input Watts
		70 F DB	75 F DB	80 F DB	85 F DB	90 F DB					
61	0.825	0.831	1.086				0.898	60	1.05	1.1	0.94
64	0.94	0.719	0.935	1.15	1.265		0.952	65	1.057	1.055	0.97
67	1	0.57	0.785		1.215	1.369	1	70			1
70	1.054		0.637	0.832	1.057	1.282	1.043	75	0.971	0.95	1.03
73	1.102			0.706	0.921	1.136	1.09	80	0.958	0.93	1.06

CFM	Cooling Corrections				Heating Corrections		
	Total Cooling Capacity	Sensible Cooling Capacity	Heat of Rejection	Power Input Watts	Heating Capacity	Heat of Absorption	Power Input Watts
570	0.985	0.966	0.982	0.982	0.985	0.972	0.972
700		1	1	1	1	1	1

ClimateMaster works continually to improve its products. As a result, the design and specifications of each product at the time of order may be changed without notice and may not be as described herein. Please contact ClimateMaster's Customer Service Department at 1-800-745-0200 for specific information on the current design and specifications. Statements and other information contained herein are not express warranties and do not form the basis of any bargain between the parties, but are merely ClimateMaster's opinion or recommendations of its products.

Contractor: _____	P.O.: _____
Engineer: _____	_____
Project Name: _____	Unit Tag: _____

Rated Air Flow 900 CFM

Cooling Performance - EAT 80/67 F
EER 11.0 @ ARI 320

Heating Performance - EAT 70 F
COP 3.8 @ ARI 320

GPM	EWT-F	TOTAL BTU/H	SENS BTU/H	HEAT OF REJECTION BTU/H	POWER INPUT WATTS	HEATING BTU/H	HEAT OF ABSORPTION BTU/H	POWER INPUT WATTS	Unit Water Pressure drop FLH2O
3.2	40	29300	13800	5630	1700	21250	14500	2080	18.3
3.4	40	30300	13800	5630	1680	21250	14500	2080	18.3
3.6	40	31300	13800	5630	1660	21250	14500	2080	18.3
3.8	40	32300	13800	5630	1640	21250	14500	2080	18.3
4.0	40	33300	13800	5630	1620	21250	14500	2080	18.3
4.2	40	34300	13800	5630	1600	21250	14500	2080	18.3
4.4	40	35300	13800	5630	1580	21250	14500	2080	18.3
4.6	40	36300	13800	5630	1560	21250	14500	2080	18.3
4.8	40	37300	13800	5630	1540	21250	14500	2080	18.3
5.0	40	38300	13800	5630	1520	21250	14500	2080	18.3
5.2	40	39300	13800	5630	1500	21250	14500	2080	18.3
5.4	40	40300	13800	5630	1480	21250	14500	2080	18.3
5.6	40	41300	13800	5630	1460	21250	14500	2080	18.3
5.8	40	42300	13800	5630	1440	21250	14500	2080	18.3
6.0	40	43300	13800	5630	1420	21250	14500	2080	18.3
6.2	40	44300	13800	5630	1400	21250	14500	2080	18.3
6.4	40	45300	13800	5630	1380	21250	14500	2080	18.3
6.6	40	46300	13800	5630	1360	21250	14500	2080	18.3
6.8	40	47300	13800	5630	1340	21250	14500	2080	18.3
7.0	40	48300	13800	5630	1320	21250	14500	2080	18.3
7.2	40	49300	13800	5630	1300	21250	14500	2080	18.3
7.4	40	50300	13800	5630	1280	21250	14500	2080	18.3
7.6	40	51300	13800	5630	1260	21250	14500	2080	18.3
7.8	40	52300	13800	5630	1240	21250	14500	2080	18.3
8.0	40	53300	13800	5630	1220	21250	14500	2080	18.3
8.2	40	54300	13800	5630	1200	21250	14500	2080	18.3
8.4	40	55300	13800	5630	1180	21250	14500	2080	18.3
8.6	40	56300	13800	5630	1160	21250	14500	2080	18.3
8.8	40	57300	13800	5630	1140	21250	14500	2080	18.3
9.0	40	58300	13800	5630	1120	21250	14500	2080	18.3
9.2	40	59300	13800	5630	1100	21250	14500	2080	18.3
9.4	40	60300	13800	5630	1080	21250	14500	2080	18.3
9.6	40	61300	13800	5630	1060	21250	14500	2080	18.3
9.8	40	62300	13800	5630	1040	21250	14500	2080	18.3
10.0	40	63300	13800	5630	1020	21250	14500	2080	18.3
3.2	60	28300	20210	3570	1990	26670	19020	2240	3.3
3.4	60	29300	20210	3570	1970	26670	19020	2240	3.3
3.6	60	30300	20210	3570	1950	26670	19020	2240	3.3
3.8	60	31300	20210	3570	1930	26670	19020	2240	3.3
4.0	60	32300	20210	3570	1910	26670	19020	2240	3.3
4.2	60	33300	20210	3570	1890	26670	19020	2240	3.3
4.4	60	34300	20210	3570	1870	26670	19020	2240	3.3
4.6	60	35300	20210	3570	1850	26670	19020	2240	3.3
4.8	60	36300	20210	3570	1830	26670	19020	2240	3.3
5.0	60	37300	20210	3570	1810	26670	19020	2240	3.3
5.2	60	38300	20210	3570	1790	26670	19020	2240	3.3
5.4	60	39300	20210	3570	1770	26670	19020	2240	3.3
5.6	60	40300	20210	3570	1750	26670	19020	2240	3.3
5.8	60	41300	20210	3570	1730	26670	19020	2240	3.3
6.0	60	42300	20210	3570	1710	26670	19020	2240	3.3
6.2	60	43300	20210	3570	1690	26670	19020	2240	3.3
6.4	60	44300	20210	3570	1670	26670	19020	2240	3.3
6.6	60	45300	20210	3570	1650	26670	19020	2240	3.3
6.8	60	46300	20210	3570	1630	26670	19020	2240	3.3
7.0	60	47300	20210	3570	1610	26670	19020	2240	3.3
7.2	60	48300	20210	3570	1590	26670	19020	2240	3.3
7.4	60	49300	20210	3570	1570	26670	19020	2240	3.3
7.6	60	50300	20210	3570	1550	26670	19020	2240	3.3
7.8	60	51300	20210	3570	1530	26670	19020	2240	3.3
8.0	60	52300	20210	3570	1510	26670	19020	2240	3.3
8.2	60	53300	20210	3570	1490	26670	19020	2240	3.3
8.4	60	54300	20210	3570	1470	26670	19020	2240	3.3
8.6	60	55300	20210	3570	1450	26670	19020	2240	3.3
8.8	60	56300	20210	3570	1430	26670	19020	2240	3.3
9.0	60	57300	20210	3570	1410	26670	19020	2240	3.3
9.2	60	58300	20210	3570	1390	26670	19020	2240	3.3
9.4	60	59300	20210	3570	1370	26670	19020	2240	3.3
9.6	60	60300	20210	3570	1350	26670	19020	2240	3.3
9.8	60	61300	20210	3570	1330	26670	19020	2240	3.3
10.0	60	62300	20210	3570	1310	26670	19020	2240	3.3
3.2	70	25650	18500	32820	2100	29970	21630	2430	3.3
3.4	70	26650	18500	32820	2080	29970	21630	2430	3.3
3.6	70	27650	18500	32820	2060	29970	21630	2430	3.3
3.8	70	28650	18500	32820	2040	29970	21630	2430	3.3
4.0	70	29650	18500	32820	2020	29970	21630	2430	3.3
4.2	70	30650	18500	32820	2000	29970	21630	2430	3.3
4.4	70	31650	18500	32820	1980	29970	21630	2430	3.3
4.6	70	32650	18500	32820	1960	29970	21630	2430	3.3
4.8	70	33650	18500	32820	1940	29970	21630	2430	3.3
5.0	70	34650	18500	32820	1920	29970	21630	2430	3.3
5.2	70	35650	18500	32820	1900	29970	21630	2430	3.3
5.4	70	36650	18500	32820	1880	29970	21630	2430	3.3
5.6	70	37650	18500	32820	1860	29970	21630	2430	3.3
5.8	70	38650	18500	32820	1840	29970	21630	2430	3.3
6.0	70	39650	18500	32820	1820	29970	21630	2430	3.3
6.2	70	40650	18500	32820	1800	29970	21630	2430	3.3
6.4	70	41650	18500	32820	1780	29970	21630	2430	3.3
6.6	70	42650	18500	32820	1760	29970	21630	2430	3.3
6.8	70	43650	18500	32820	1740	29970	21630	2430	3.3
7.0	70	44650	18500	32820	1720	29970	21630	2430	3.3
7.2	70	45650	18500	32820	1700	29970	21630	2430	3.3
7.4	70	46650	18500	32820	1680	29970	21630	2430	3.3
7.6	70	47650	18500	32820	1660	29970	21630	2430	3.3
7.8	70	48650	18500	32820	1640	29970	21630	2430	3.3
8.0	70	49650	18500	32820	1620	29970	21630	2430	3.3
8.2	70	50650	18500	32820	1600	29970	21630	2430	3.3
8.4	70	51650	18500	32820	1580	29970	21630	2430	3.3
8.6	70	52650	18500	32820	1560	29970	21630	2430	3.3
8.8	70	53650	18500	32820	1540	29970	21630	2430	3.3
9.0	70	54650	18500	32820	1520	29970	21630	2430	3.3
9.2	70	55650	18500	32820	1500	29970	21630	2430	3.3
9.4	70	56650	18500	32820	1480	29970	21630	2430	3.3
9.6	70	57650	18500	32820	1460	29970	21630	2430	3.3
9.8	70	58650	18500	32820	1440	29970	21630	2430	3.3
10.0	70	59650	18500	32820	1420	29970	21630	2430	3.3
3.2	85	23340	18290	31360	2150	33920	25390	2500	3.3
3.4	85	24340	18290	31360	2130	33920	25390	2500	3.3
3.6	85	25340	18290	31360	2110	33920	25390	2500	3.3
3.8	85	26340	18290	31360	2090	33920	25390	2500	3.3
4.0	85	27340	18290	31360	2070	33920	25390	2500	3.3
4.2	85	28340	18290	31360	2050	33920	25390	2500	3.3
4.4	85	29340	18290	31360	2030	33920	25390	2500	3.3
4.6	85	30340	18290	31360	2010	33920	25390	2500	3.3
4.8	85	31340	18290	31360	1990	33920	25390	2500	3.3
5.0	85	32340	18290	31360	1970	33920	25390	2500	3.3
5.2	85	33340	18290	31360	1950	33920	25390	2500	3.3
5.4	85	34340	18290	31360	1930	33920	25390	2500	3.3
5.6	85	35340	18290	31360	1910	33920	25390	2500	3.3
5.8	85	36340	18290	31360	1890	33920	25390	2500	3.3
6.0	85	37340	18290	31360	1870	33920	25390	2500	3.3
6.2	85	38340	18290	31360	1850	33920	25390	2500	3.3
6.4	85	39340	18290	31360	1830	33920	25390	2500	3.3
6.6	85	40340	18290	31360	1810	33920	25390	2500	3.3
6.8	85	413							



CLIMATEMASTER®

PERFORMANCE DATA

Model 816-30

Submittal Data

Contractor: _____	P.O.: _____
Engineer: _____	
Project Name: _____	Unit Tag: _____

Rated Air Flow 1000 CFM

Cooling Performance - EAT 80/67 F
EER 13.5 @ ARI 320

Heating Performance - EAT 70 F
COP 3.8 @ ARI 320

CFM	EWT-F	TOTAL BTUH	SENS BTUH	HEAT OF REJECTION BTUH	POWER INPUT WATTS	HEATING BTUH	HEAT OF ABSORPTION BTUH	POWER INPUT WATTS	Unit Water Pressure drop FT.H ₂ O
3.6	60	32100	20800	35600	16700	30000	21400	2520	3.7
3.6	65	35200	23200	38700	18200	31600	22800	2580	3.2
3.6	70	38300	25600	41800	19700	33200	24200	2610	2.7
3.6	75	41400	28000	44900	21200	34800	25600	2650	2.2
3.6	80	44500	30400	48000	22700	36400	27000	2690	1.7
3.6	85	47600	32800	51100	24200	38000	28400	2730	1.2
3.6	90	50700	35200	54200	25700	39600	29800	2770	0.7
3.6	95	53800	37600	57300	27200	41200	31200	2810	0.2
3.6	100	56900	40000	60400	28700	42800	32600	2850	0.0
5.6	60	37800	19500	39300	1830	30000	21400	2520	3.7
5.6	65	40900	22000	42400	1820	31600	22800	2580	3.2
5.6	70	44000	24500	45500	1750	33200	24200	2610	2.7
5.6	75	47100	27000	48600	1740	34800	25600	2650	2.2
5.6	80	50200	29500	51700	1740	36400	27000	2690	1.7
5.6	85	53300	32000	54800	1740	38000	28400	2730	1.2
5.6	90	56400	34500	57900	1740	39600	29800	2770	0.7
5.6	95	59500	37000	61000	1740	41200	31200	2810	0.2
5.6	100	62600	39500	64100	1740	42800	32600	2850	0.0
7.5	60	43500	21200	45000	1980	33700	24700	2740	3.7
7.5	65	46600	23700	48100	1900	35300	26100	2770	3.2
7.5	70	49700	26200	51200	1850	36900	27500	2780	2.7
7.5	75	52800	28700	54300	1850	38500	28900	2790	2.2
7.5	80	55900	31200	57400	1820	40100	30300	2820	1.7
7.5	85	59000	33700	60500	2130	41700	31700	2840	1.2
7.5	90	62100	36200	63600	2130	43300	33100	2840	0.7
7.5	95	65200	38700	66700	2110	44900	34500	2850	0.2
7.5	100	68300	41200	69800	2040	46500	35900	2850	0.0
9.4	60	49200	22900	50900	2230	38100	28500	2820	3.7
9.4	65	52300	25400	54000	2130	39700	29900	2840	3.2
9.4	70	55400	27900	57100	2110	41300	31300	2850	2.7
9.4	75	58500	30400	60200	2110	42900	32700	2850	2.2
9.4	80	61600	32900	63300	2040	44500	34100	2850	1.7
9.4	85	64700	35400	66400	2040	46100	35500	2850	1.2
9.4	90	67800	37900	69500	2040	47700	36900	2850	0.7
9.4	95	70900	40400	72600	2040	49300	38300	2850	0.2
9.4	100	74000	42900	75700	2040	50900	39700	2850	0.0
11.3	60	54900	24600	56800	2360	42500	31900	2840	3.7
11.3	65	58000	27100	59900	2260	44100	33300	2840	3.2
11.3	70	61100	29600	63000	2260	45700	34700	2840	2.7
11.3	75	64200	32100	66100	2260	47300	36100	2840	2.2
11.3	80	67300	34600	69200	2260	48900	37500	2840	1.7
11.3	85	70400	37100	72300	2260	50500	38900	2840	1.2
11.3	90	73500	39600	75400	2260	52100	40300	2840	0.7
11.3	95	76600	42100	78500	2260	53700	41700	2840	0.2
11.3	100	79700	44600	81600	2260	55300	43100	2840	0.0
13.2	60	60600	26300	62700	2590	46100	35100	2840	3.7
13.2	65	63700	28800	65800	2490	47700	36500	2840	3.2
13.2	70	66800	31300	68900	2490	49300	37900	2840	2.7
13.2	75	69900	33800	72000	2490	50900	39300	2840	2.2
13.2	80	73000	36300	75100	2490	52500	40700	2840	1.7
13.2	85	76100	38800	78200	2490	54100	42100	2840	1.2
13.2	90	79200	41300	81300	2490	55700	43500	2840	0.7
13.2	95	82300	43800	84400	2490	57300	44900	2840	0.2
13.2	100	85400	46300	87500	2490	58900	46300	2840	0.0
15.1	60	66300	28000	68600	2820	49700	39100	2840	3.7
15.1	65	69400	30500	71700	2720	51300	40500	2840	3.2
15.1	70	72500	33000	74800	2720	52900	41900	2840	2.7
15.1	75	75600	35500	77900	2720	54500	43300	2840	2.2
15.1	80	78700	38000	81000	2720	56100	44700	2840	1.7
15.1	85	81800	40500	84100	2720	57700	46100	2840	1.2
15.1	90	84900	43000	87200	2720	59300	47500	2840	0.7
15.1	95	88000	45500	90300	2720	60900	48900	2840	0.2
15.1	100	91100	48000	93400	2720	62500	50300	2840	0.0

Shaded areas show extended range option.

Correction Factors

Entering Air Wet Bulb F	Cooling Corrections					Heating Corrections				
	Total Cooling Capacity	Sensible Cooling Capacity Entering Dry Bulb				Heat of Rejection	Entering Air Dry Bulb F*	Heating Capacity	Heat of Absorption	Power Input Watts
		70 F DB	75 F DB	80 F DB	85 F DB					
61	0.825	0.871	1.086		0.858	60	1.05	1.095	0.94	
64	0.94	0.719	0.935	1.15	1.365	65	1.027	1.353	0.97	
67	1	0.57	0.785	1	1.215	70	1	1	1	
70	1.054		0.637	0.852	1.067	75	0.971	0.951	1.03	
73	1.102			0.706	0.927	80	0.938	0.887	1.06	

CFM	Cooling Corrections				Heating Corrections		
	Total Cooling Capacity	Sensible Cooling Capacity	Heat of Rejection	Power Input Watts	Heating Capacity	Heat of Absorption	Power Input Watts
750	0.966	0.927	0.966	0.962	0.966	0.943	0.941
800	0.972	0.959	0.97	0.968	0.972	0.951	0.951
950	0.986	0.969	0.986	0.984	0.986	0.976	0.975
1000	1	1	1	1	1	1	1

ClimateMaster works constantly to improve its products. As a result, the design and specifications of each product at the time of order may be changed without notice and may not be as described herein. Please contact ClimateMaster's Customer Service Department at 1-405-748-6000 for specific information on the current design and specifications. Statements and other material or information herein are not deemed warranties and do not constitute the basis of any bargain between the parties, and no warranty by ClimateMaster is made in representation of the products.



CLIMATEMASTER®
PERFORMANCE DATA
Model 816-36

Submittal Data

Contractor: _____	P.O.: _____
Engineer: _____	
Project Name: _____	Unit Tag: _____

Rated Air Flow 1140 CFM

Cooling Performance - EAT 80/67 F
EER 13.0 @ ARI 320

Heating Performance - EAT 70 F
COP 4.0 @ ARI 320

GPM	EWT-F	Cooling Performance - EAT 80/67 F EER 13.0 @ ARI 320				Heating Performance - EAT 70 F COP 4.0 @ ARI 320				Unit Water Pressure drop FEH20
		TOTAL BTU/H	SENS BTU/H	HEAT OF REJECTION BTU/H	POWER INPUT WATTS	HEATING BTU/H	HEAT OF ABSORPTION BTU/H	POWER INPUT WATTS		
4.0	60	30500	29800	36100	2690	37000	25400	2960	4.2	
6.2	60	40500	39700	47800	3640	49600	34200	3980	4.2	
8.4	60	51000	49600	59500	4670	62200	43000	5000	4.2	
10.6	60	61500	59500	71200	5700	74800	51800	6020	4.2	
4.0	70	40000	39300	46500	3320	49600	34200	3980	4.2	
6.2	70	50000	49200	58200	4350	62200	43000	5000	4.2	
8.4	70	60000	59100	69900	5380	74800	51800	6020	4.2	
10.6	70	70000	69000	81600	6410	87400	60600	7040	4.2	
4.0	85	31510	24620	40420	2670	44500	33800	3120	4.2	
6.2	85	32580	25680	41390	2570	45360	34640	3140	4.2	
8.4	85	33050	25340	41670	2540	45920	35100	3150	4.2	
10.6	85	33710	25480	42110	2460	46200	35400	3160	4.2	
4.0	90	32320	24930	39710	2750	43000	32600	3120	4.2	
6.2	90	31450	24760	40530	2660	43600	33200	3140	4.2	
8.4	90	32280	24910	41130	2570	44200	33800	3150	4.2	
10.6	90	32120	25050	41420	2550	44800	34400	3160	4.2	
4.0	95	29470	24040	39160	2840	41000	31200	3120	4.2	
6.2	95	30160	24330	39850	2750	41600	31800	3140	4.2	
8.4	95	31170	24620	40320	2680	42200	32400	3150	4.2	
10.6	95	31580	24760	40630	2650	42800	33000	3160	4.2	
10.6	100	28430	23120	38100	2820	39000	29600	3120	4.2	
10.6	105	25700	23340	33000	2890	36000	26600	3120	4.2	
10.6	110	23940	23700	29900	2770	33000	23600	3120	4.2	
10.6	120	22650	23800	26800	2740	30000	20600	3120	4.2	
10.6	130	22530	23760	26500	2780	29000	20200	3120	4.2	
10.6	140	22630	23760	26600	2840	28000	19800	3120	4.2	

Shaded areas show extended range option.

Correction Factors

Entering Air Wet Bulb F°	Cooling Corrections					Heating Corrections				
	Total Cooling Capacity	Sensible Cooling Capacity Entering Dry Bulb				Heat of Rejection	Entering Air Dry Bulb F°	Heating Capacity	Heat of Absorption	Power Input Watts
		70 F DB	75 F DB	80 F DB	85 F DB					
61	0.875	0.871	1.086			0.898	60	1.05	1.056	0.94
64	0.91	0.915	0.935	1.15	1.365	0.954	65	1.027	1.055	0.97
67	1	0.97	0.785		1.215	1.369	70	1	1	1
70	1.054		0.637	0.852	1.567	1.282	75	0.971	0.971	1.03
73	1.102			0.706	0.921	1.136	80	0.925	0.938	1.06

CFM	Cooling Corrections				Heating Corrections			
	Total Cooling Capacity	Sensible Cooling Capacity	Heat of Rejection	Power Input Watts	Heating Capacity	Heat of Absorption	Power Input Watts	
750	0.973	0.91	0.971	0.969	0.973	0.973	0.971	
900	0.978	0.932	0.977	0.975	0.975	0.955	0.955	
1000	0.989	0.976	0.989	0.988	0.989	0.978	0.978	
1140	1	1	1	1	1	1	1	

ClimateMaster works constantly to improve its products. As a result, the design and specifications of each product at the time of order may be changed without notice and may not be as described herein. Please contact ClimateMaster Customer Service Department at 1-800-745-8300 for specific information on the current design and specifications. Statements and other information contained herein are not express warranties and do not form the basis of any contract between the parties, but are merely ClimateMaster's opinion or commendation of its products.



CLIMATEMASTER®
BLOWER PERFORMANCE
 Model 816

Submittal Data

Contractor: _____	P.O.: _____
Engineer: _____	
Project Name: _____	Unit Tag: _____

SIZE	FANSPEED	External Static Pressure (in Wg.)					
		0	0.1	0.2	0.3	0.4	0.5
10	L	250					
10	H	320					
15	L	290					
15	H	430					
20	L	570					
20	H	700					
28	L	750					
28	H	900					
30	L	850	800	750	770		
30	H	1000	950	900	830	780	
36	L	1000	950	900	830	780	
36	H	1140	1070	1000	940	870	800

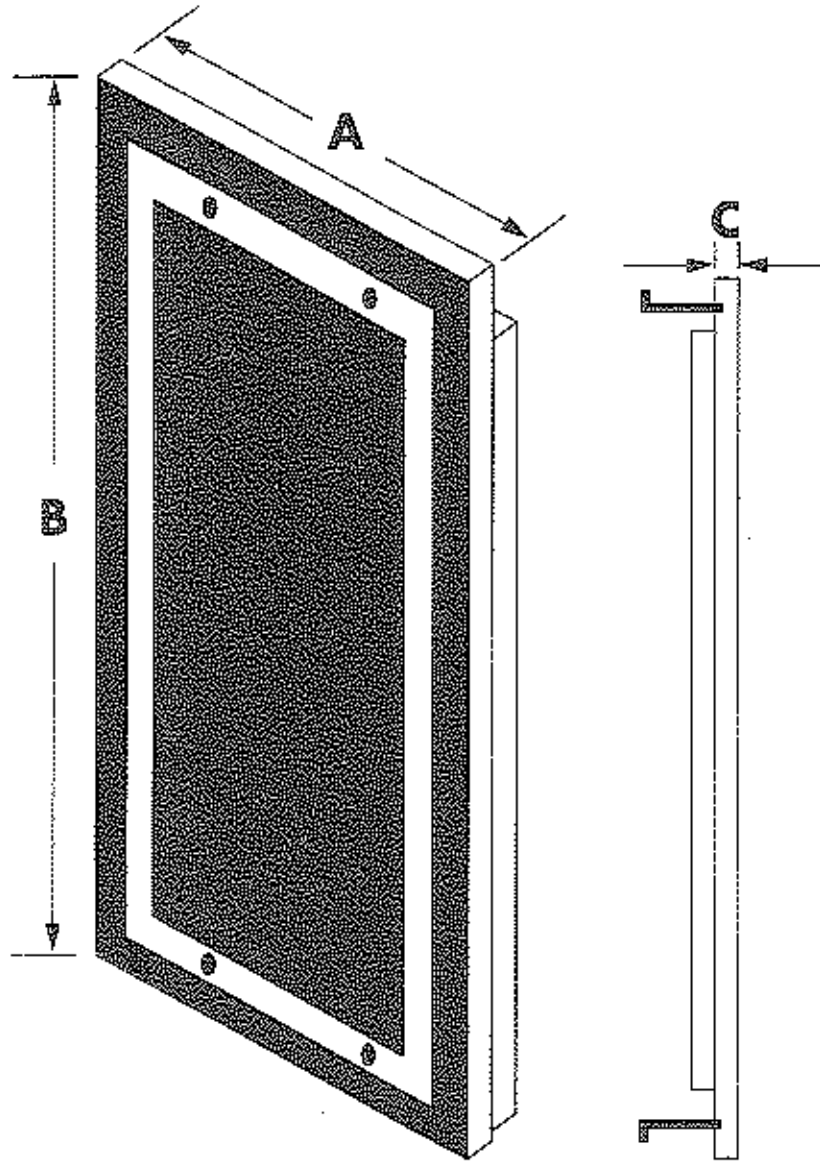
ClimateMaster works continually to improve its products. As a result, the design and specifications of each product at the time of order may be changed without notice and may not be as described herein. Please contact ClimateMaster's Customer Service Department at 1-800-745-5800 for specific information on the current design and specifications. Statements and other information contained herein do not express warranties and are not the basis of any bargain between the parties, but are merely ClimateMaster's opinion in advancement of its process.



CLIMATEMASTER®
G STYLE RETURN AIR PANEL
 Model 816

Submittal Data

Contractor: _____	P.O.: _____
Engineer: _____	
Project Name: _____	Unit Tag: _____



	A	B	C
AB16P1G	17"	58.50"	.625
AB16P2G	20"	58.50"	.625
AB16P3G	24"	58.50"	.625

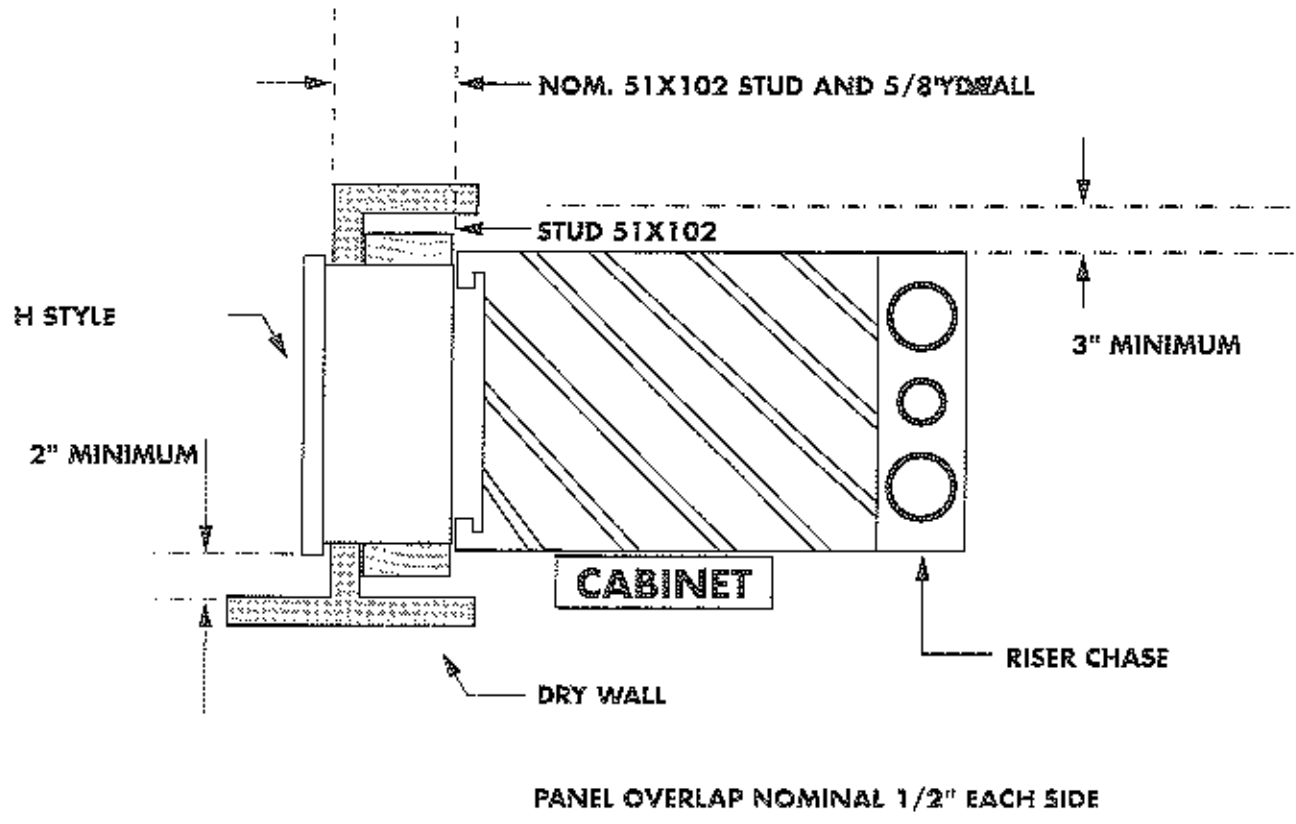
*.025" Flanges must be used.

ClimateMaster works continually to improve its products. As a result, the design and specifications of each product at the time of order may be changed without notice and may not be as described herein. Please contact ClimateMaster's Customer Service Department at 1-800-445-9900 for accurate information on the current design and specifications. Statements and other information contained herein are not warranties and do not form the basis of any bargain between the parties, but are merely ClimateMaster's opinion or recommendation of its products.

CLIMATEMASTER®
816 RETURN AIR PANEL
Model 816 H Return Air Panel
Installation

Submittal Data

Contractor: _____	P.O.: _____
Engineer: _____	
Project Name: _____	Unit Tag: _____



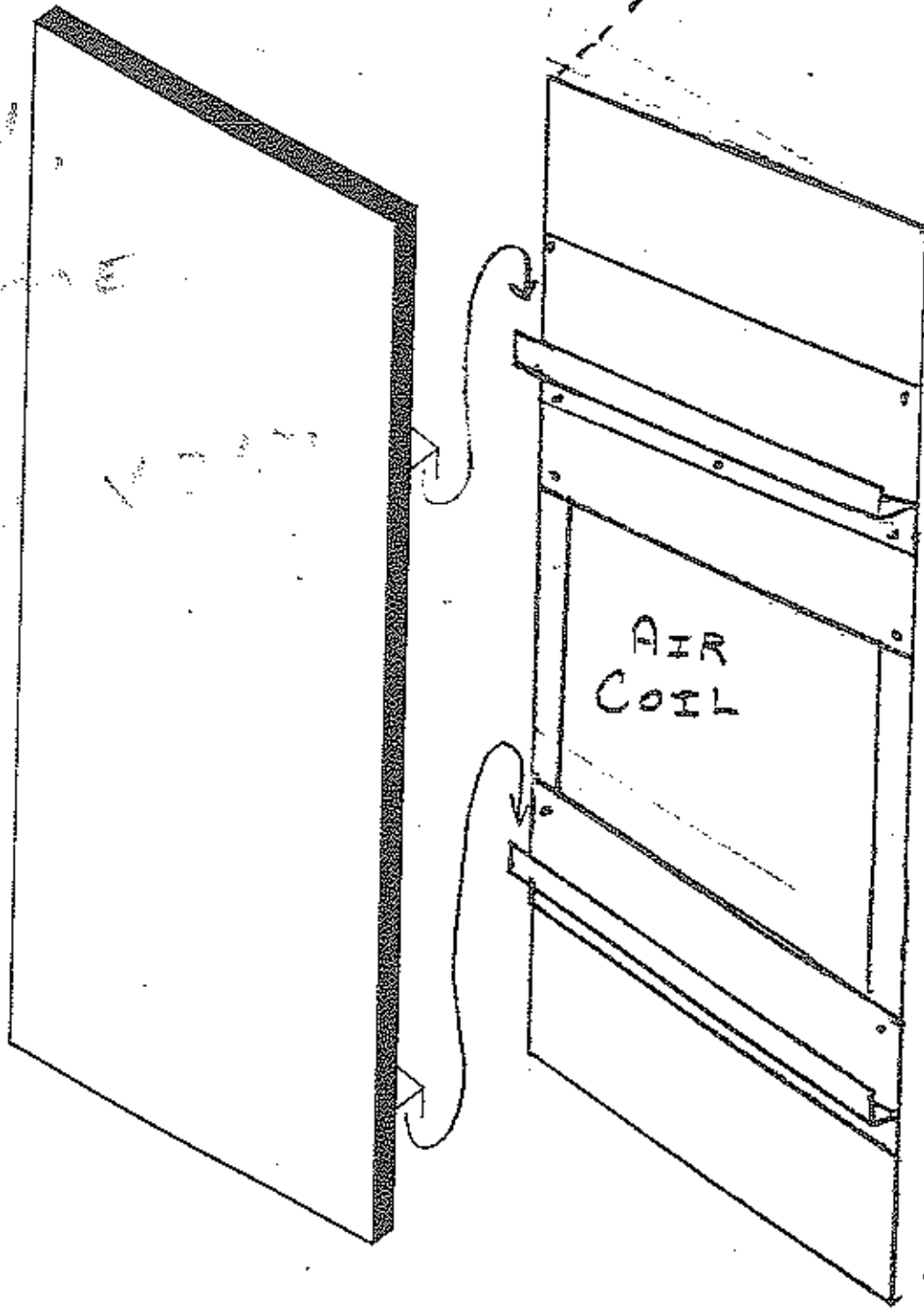
ClimateMaster works continually to improve its products. Any revision, improvement or specification of each product at the time of order may be changed without notice and may not be as described herein. Please contact ClimateMaster's Customer Service Department at 1-800-743-8203 for specific information on the current design and specifications. Statements and other information contained herein are not express warranties and do not form the basis of any bargain between the parties, but are merely ClimateMaster's advice or recommendation of its products.



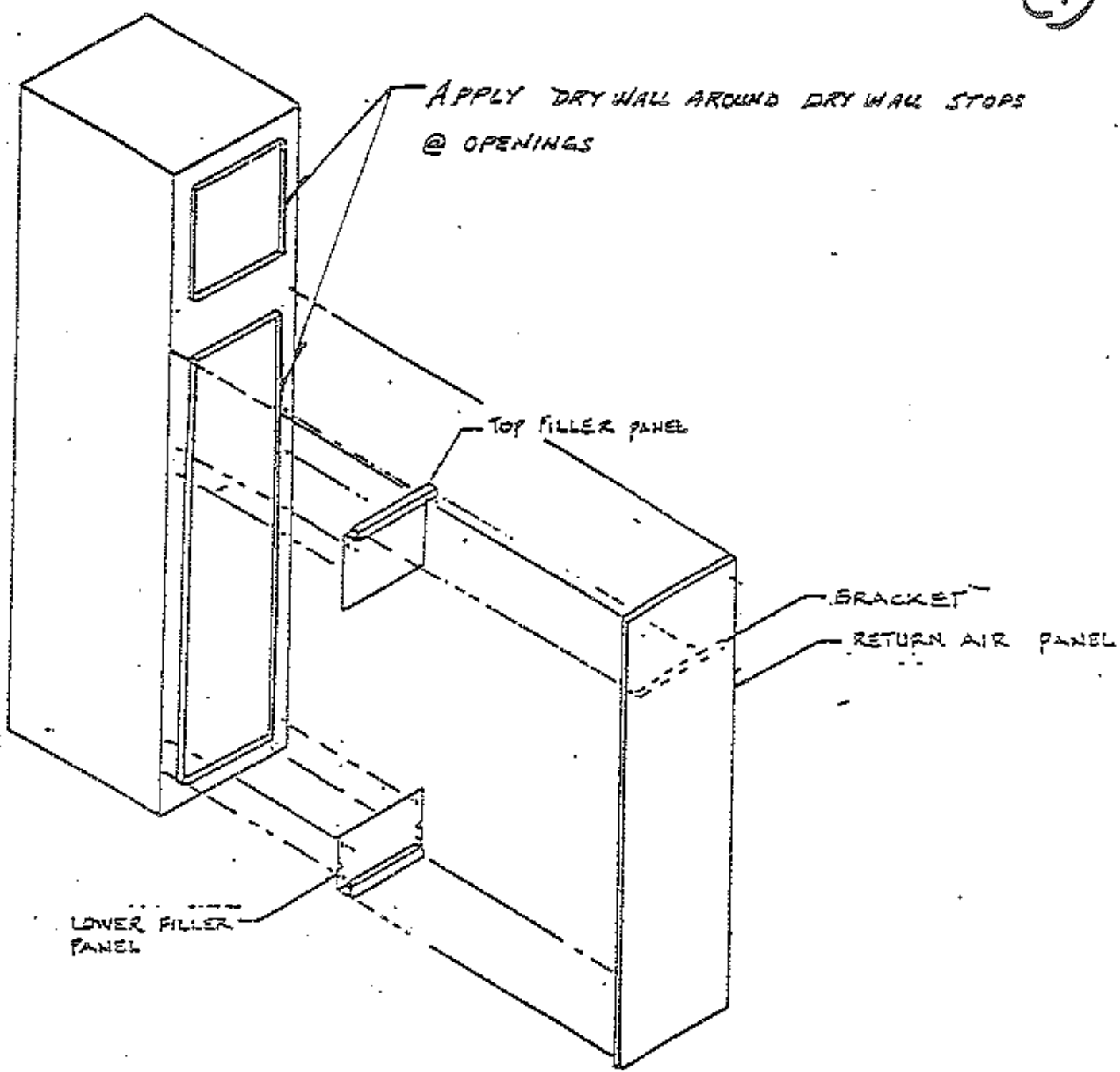
CLIMATEMASTER™
E STYLE RETURN AIR PANEL
Model 816

Submittal Data

Contractor: _____	P.O.: _____
Engineer: _____	
Project Name: _____	Unit Tag: _____



ClimateMaster works continuously to improve its products. As a result, the design and specifications of each product at the time of order may be changed without notice and may not be as described herein. Please contact ClimateMaster's Customer Service Department at 1-822-745-6000 for specific information on the current design and specifications. Statements and other information contained herein are not express warranties and do not form the basis of any contract between the parties, but are merely ClimateMaster's opinion or commendation of its products.



TOP & BOTTOM FILLER PANELS

- FASTEN TO CABINET AFTER CHASSIS INSTALLATION.
- (4) SCREWS PER FILLER PANEL
- TOP FILLER PANEL SEALS GAP BETWEEN CABINET CONTROL & CHASSIS TOP
- BOTTOM FILLER PANEL SEALS AIR GAPS AROUND BOTTOM OF CHASSIS.
- TOP & BOTTOM HORIZONTAL CHANNELS ON FILLER PANELS ARE FOR MOUNTING RETURN AIR PANEL (ADJUST FILLER PANELS FOR PROPER RET. AIR PANEL FIT)

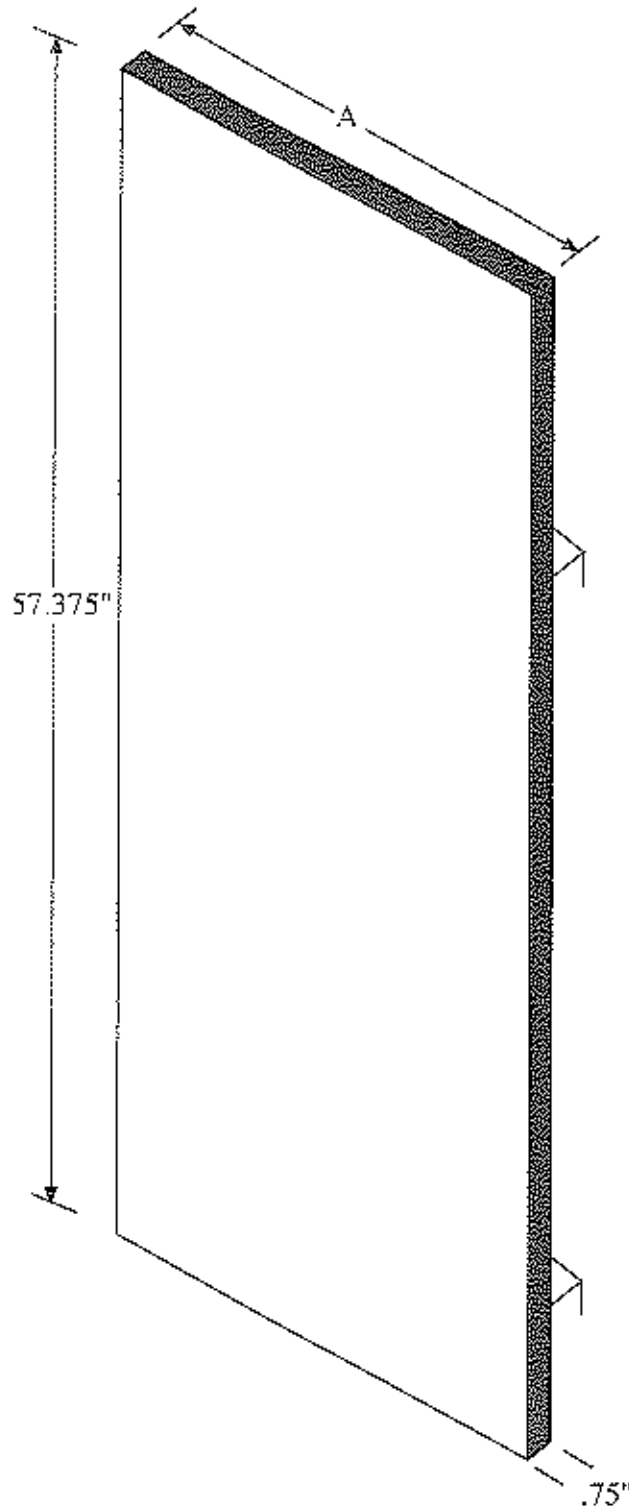
I-020590-FP-1



CLIMATEMASTER®
E STYLE RETURN AIR PANEL
Model 816

Submittal Data

Contractor: _____	P.O.: _____
Engineer: _____	_____
Project Name: _____	Unit Tag: _____



A	Unit Size	Length
	10/15	19"
	20	22"
	28,30,36	25"

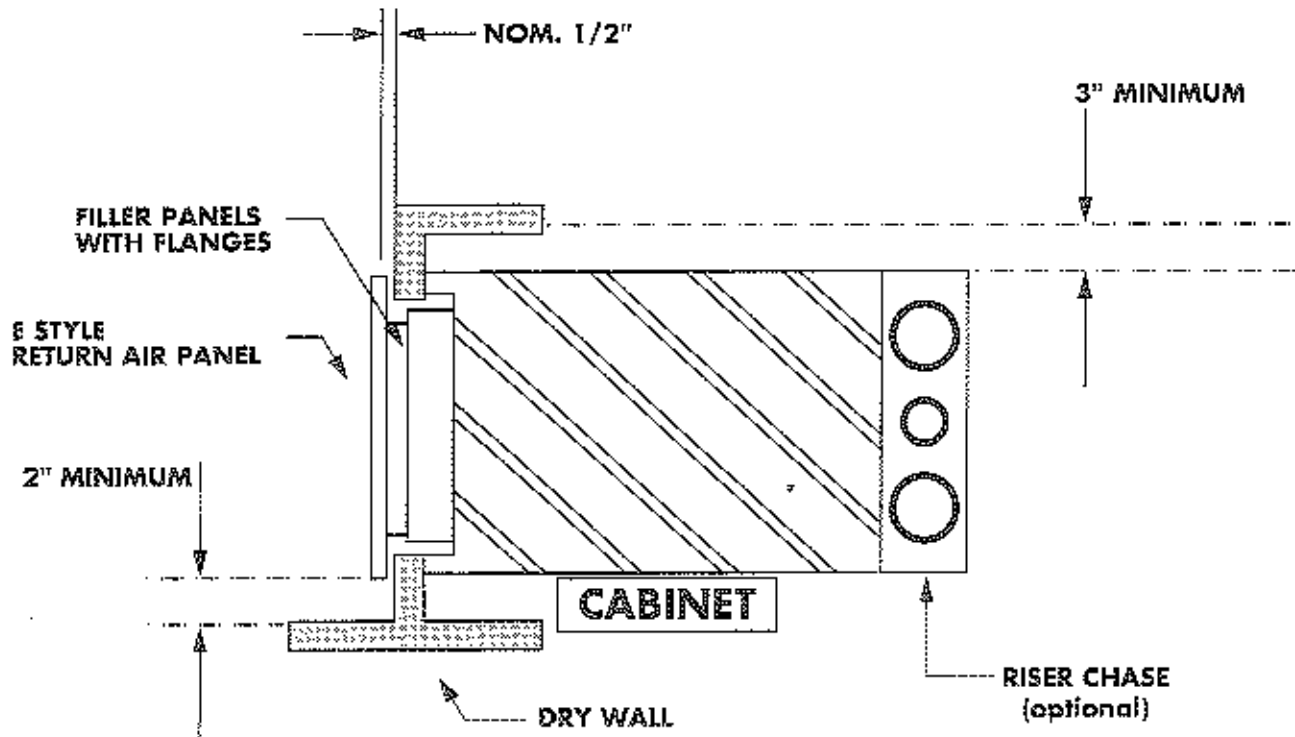
ClimateMaster works continually to improve its products. As a result, the design and specifications of each product at the time of order may be changed without notice and may not be as presented herein. Please contact ClimateMaster's Customer Service Department at 1-800-748-8600 for specific information on the current design and specifications. Statements and other information contained herein are not express warranties and do not form the basis of any bargain between the parties, but are merely ClimateMaster's opinion or administration of its products.



CLIMATEMASTER[®]
816 RETURN AIR PANEL
Model 816 E Return Air Panel
Installation

Submittal Data

Contractor:	P.O.:
Engineer:
Project Name:	Unit Tag:



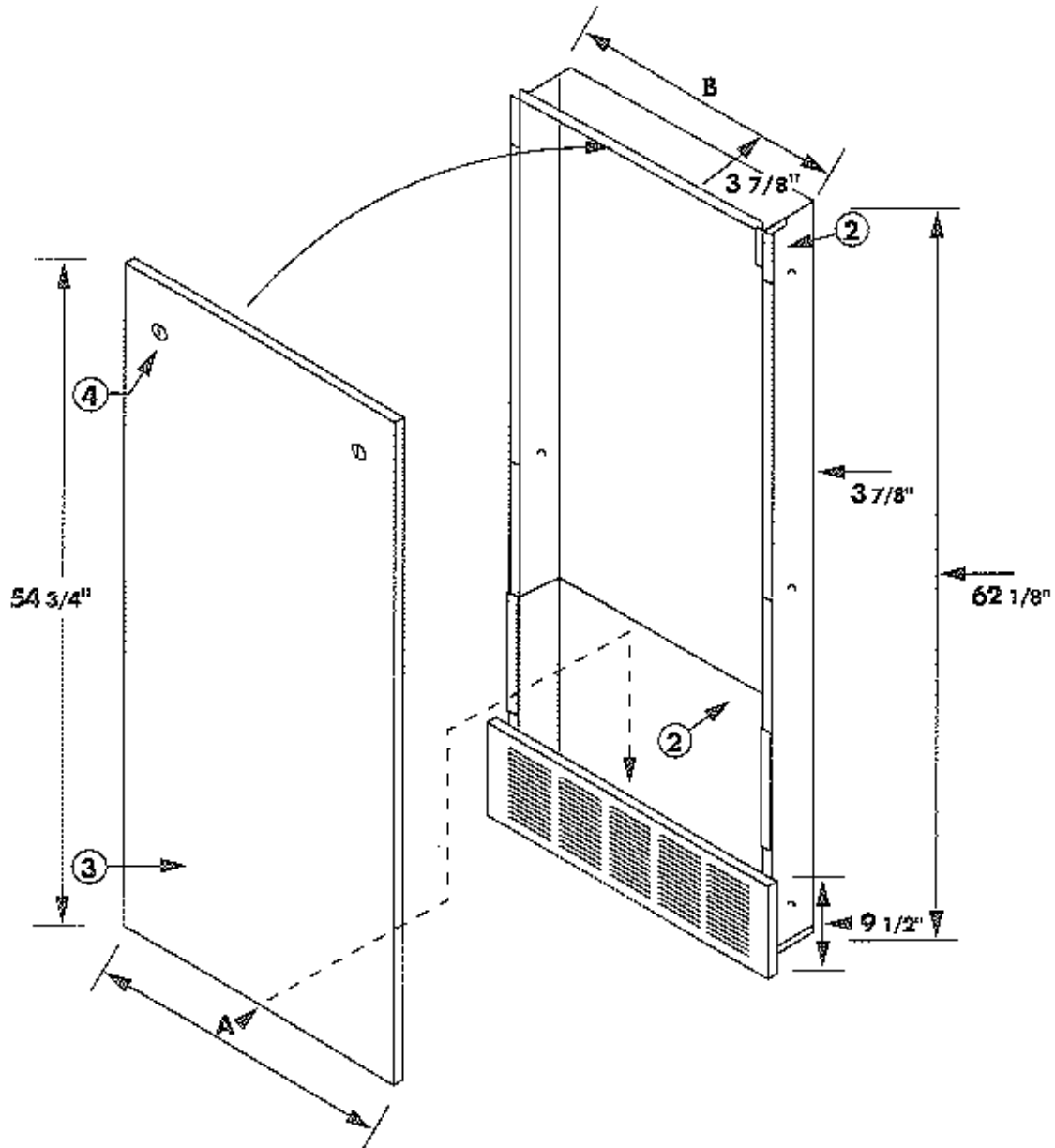
ClimateMaster works continually to improve its products. As a result, the design and specifications of each product at the time of order may be changed without notice and may not be as described herein. Please contact ClimateMaster's Customer Service Department at 1-800-745-8160 for detailed information on the latest design and specifications. Statements and other information contained herein are not expressed warranties and do not form the basis of any bargain between the parties, but are merely ClimateMaster's opinion or commendation of its products.



CLIMATEMASTERSM
H STYLE RETURN AIR PANEL
 Model 816

Submittal Data

Contractor:	P.O.:
Engineer:
Project Name:	Unit Tag:



	A	B
8'6-10/15	18 5/8"	16 3/4"
816-20	21 5/8"	19 3/4"
816-28/30/36	25 5/8"	23 3/4"

ITEM	QTY	DESCRIPTION
1		FRAME ASY.
2	1	LOWER BLUDGE ASY.
4		INSULATED FRONT PANEL
5	2	RETURN FASTENER

ClimateMaster works continually to improve its products. As a result, the design and specifications of each product at the time of print may be changed without notice and may not be as depicted herein. Please contact ClimateMaster's Customer Service Department at 1-800-745-9006 for specific information on the current design and specifications. Statements and other information contained herein are not express warranties and do not form the basis of any bargain between the parties, but are merely ClimateMaster's opinion or commendation of its products.



CLIMATEMASTERSM
ELECTRICAL DATA
Model 816

Submittal Data

Contractor: _____	P.O.: _____
Engineer: _____	
Project Name: _____	Unit Tag: _____

MODEL	SIZE	VOLTS	PHASE	MIN. CRKT AMP.	MAX FUSE HACR BRKR	LRA COMP. (EA)	RLA COMP. (EA)	BLOWER FLA	TOTAL FLA	BLOWER HP
816	10G	08/23	1	5.90	15	20.0	4.50	0.51	4.50	1/20
816	10E	265	1	4.50	15	18.0	3.33	0.50	3.60	1/20
816	15G	08/23	1	7.00	15	29.0	5.90	0.51	6.20	1/20
816	15E	265	1	7.00	15	27.0	5.15	0.50	5.70	1/20
816	20G	08/23	1	10.90	15	49.0	8.00	0.85	8.90	1/8
816	20E	265	1	9.20	15	51.0	6.90	0.70	7.50	1/8
816	28G	08/23	1	14.80	20	60.0	10.90	1.20	12.10	1/4
816	28E	265	1	13.10	20	58.0	9.70	1.50	10.80	1/4
816	30G	08/23	1	17.0	25	61.0	12.40	1.50	13.90	1/4
816	30E	265	1	14.90	25	58.0	10.90	1.30	12.20	1/4
816	36G	08/23	1	22.0	30	83.0	16.40	1.50	17.90	1/4
816	36E	265	1	19.20	30	76.0	14.70	1.3	15.60	1/4