

PERFORMANCE DATA

803-240 CV/VAV

Preliminary

Gross Total Cooling	Gross Sensible Cooling	Comp. Watts	Gross (No Fan) EER
245000	192000	17300	14.2

Based upon:

CFM = 8000

EWT = 85 F

ENTERING AIR = 80 F DB/67 F WB

GPM = 60

GUIDE VANE MOTOR: The motor is factory installed and wired into the control circuit. This also includes the linkage connection between the Guide Vane Motor and the Jackshaft which drives the guide vanes.

MIXING BOX: Consists of a Low Velocity Filter Box section with the built-in Return Air Dampers and Supply Air Dampers. The dampers have drive shaft extension for field hook-up of linkages and the Damper motor.

Continuing engineering research
results in steady improvements.
Therefore, these specifications are
subject to change without notice.

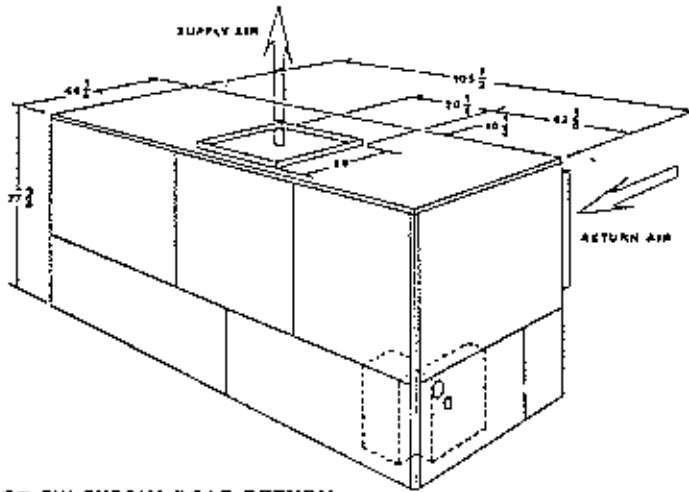
Printed in U.S.A. 6/84

Friedrich
Climate Master

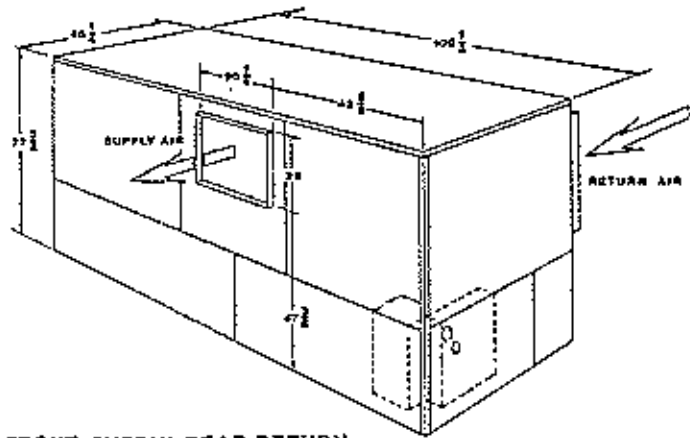
© 1984 FRIEDRICH

DIMENSIONS

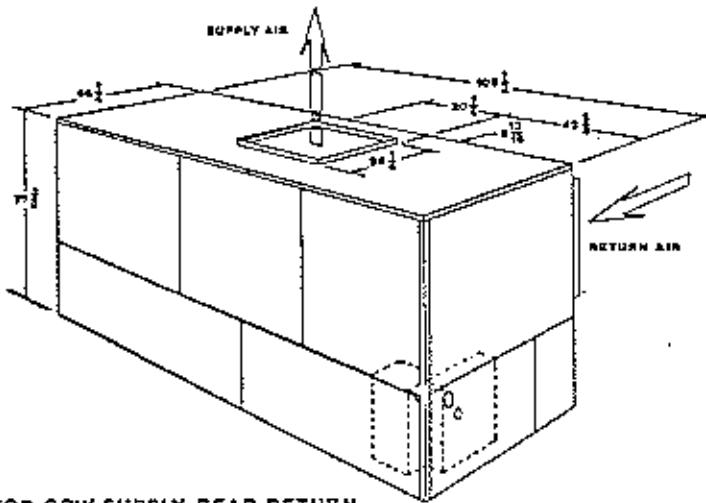
803-240



TOP CW SUPPLY-REAR RETURN



FRONT SUPPLY-REAR RETURN



TOP CCW SUPPLY-REAR RETURN

Friedrich
Climate Master

Printed in U.S.A. 5/84

Continuing engineering research results in steady improvements. Therefore, these specifications are subject to change without notice.

© 1984 FRIEDRICH