

ClimateMaster

A COMBINATION OF CHP CORP. AND
FRIEDRICH™ CLIMATE MASTER, INC.

CONTROL SHEET

PTAC/PTHP

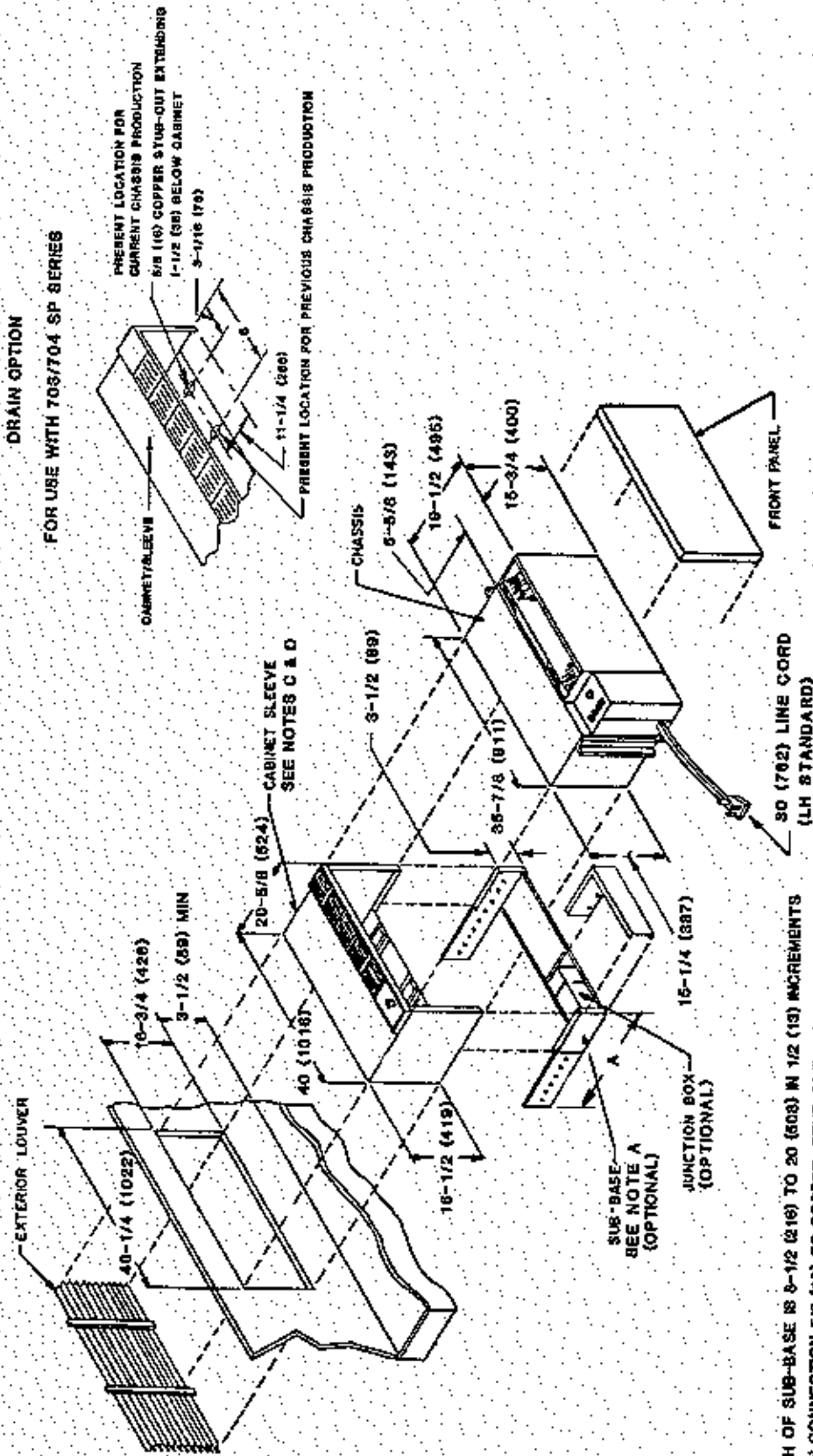
CONTROL NUMBER	DATE	MODEL	DESCRIPTION
PTAC/PTHP-000	12/86		CONTROL SHEET
PTAC/PTHP-001	12/86	702/703/704 SP	DIMENSIONS
PTAC/PTHP-002	12/86	702/703/704 MP	DIMENSIONS
PTAC/PTHP-003	12/86		
PTAC/PTHP-004	12/86	702/703	LOUVER
PTAC/PTHP-005	12/86	703	DRAIN PAN MOLDED
PTAC/PTHP-006	12/86	703/704 SP	DRAIN KIT FOR CABINET
PTAC/PTHP-007	12/86	703/704 MP	DRAIN KIT WALL BOX
PTAC/PTHP-008	12/86	702 MP	W/ HYDRONIC OPPOSITE END CONNECTIONS
PTAC/PTHP-009	12/86	702/703 SP	ELECTRICAL RECEPTACLE BOX
PTAC/PTHP-010	12/86	702/703/704 SP, MP	INSTALLATION INSTRUCTIONS FLANGED LOUVER COLLAR p g. 1&2
PTAC/PTHP-011	12/86	702/703/704 SP, MP	INSTALLATION INSTRUCTIONS OUTSIDE LOUVER
PTAC/PTHP-012	12/86	702/703/704	APPLICATIONS IN THIN WALLS
PTAC/PTHP-013	12/86	702/703 SP, MP	ADJOINING ROOM OUTLET
PTAC/PTHP-014	12/86	702/703/704	POWER WIRING p g. 1 & 2
PTAC/PTHP-015	1/87	702/703/704 SP, MP	INSTALLATION INSTRUCTIONS SP&MP PTAC/ PTHP
PTAC/PTHP-016	1/87	702/703/704 ME	INSTALLATION INSTRUCTIONS ME PTAC/PTHP

CLIMATE MASTER INC.

2007 Beechgrove Place
Utica, N.Y. 13501
315-724-7111
TWX 510-600-7973

DIMENSIONS

702-703-704 SP SERIES



NOTES:

- A: DEPTH OF SUB-BASE IS 5-1/2 (216) TO 20 (508) IN 1/2 (13) INCREMENTS
- B: DRAIN CONNECTION 5/8 (16) OD COPPER STUB OUT
- C: MINIMUM OF 5-1/2 (216) OF CABINET/SLEEVE MUST BE INSIDE ROOM
- D: FOR DEEPER WALLS USE CABINET EXTENSIONS 4 (102) OR 10 (254) AVAILABLE

() - DIMENSIONS IN MILLIMETERS

Continuing engineering research results in steady improvements. Therefore, these specifications are subject to change without notice.

PTAG/PTH-001

ClimateMaster

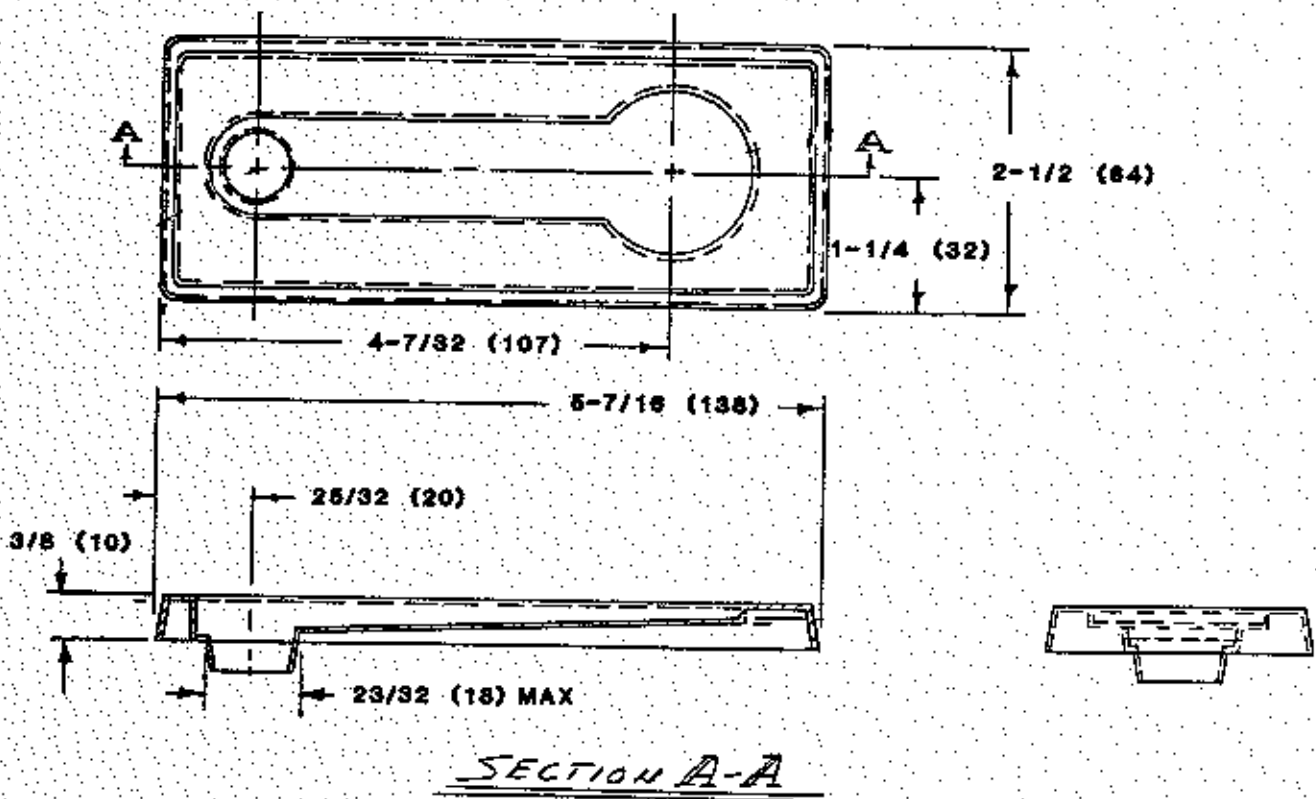
ACCOMBINATION OF CHP, COHR AND FRIEDRICH - CLIMATE MASTER, INC.

1/87 F-3095-2

©1987 CLIMATE MASTER

PRODUCT INFORMATION

DRAIN PAN-MOLDED 703 SERIES



() - DIMENSIONS IN MILLIMETERS

Continuing engineering research
results in steady improvements.
Therefore, these specifications are
subject to change without notice.

PTAC/PTHP-005

Printed in U.S.A. 12/86

ClimateMaster
A COMBINATION OF CHP CORP AND
FRIEDRICH® CLIMATE MASTER, INC.

©1986 CLIMATE MASTER

INSTALLATION INSTRUCTIONS

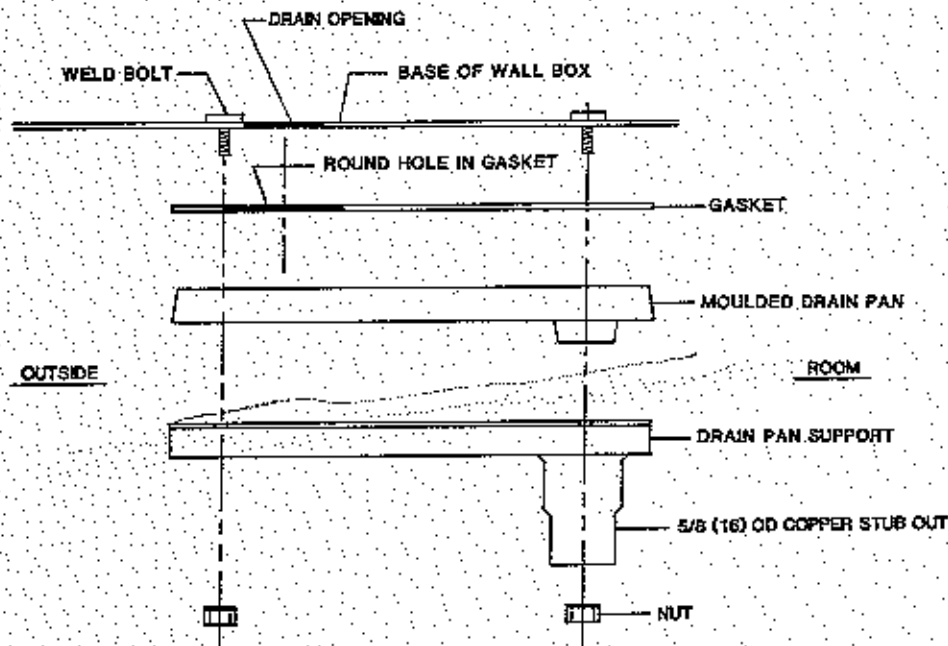
For

DRAIN KIT

PART NO. AD0002

For Use With 703 / 704 MP Wall Box

1. Remove and discard plastic plug located in drain opening at bottom right inside of wall box.
2. Locate moulded drain pan into drain pan support.
3. Locate gasket on top of moulded drain pan, keeping round hole opening on opposite side of hole in drain pan.
4. Align the support, drain pan and gasket over the 4 weld bolts protruding down from the base of the wall box and tighten with nuts provided.
5. For proper drainage of condensate, the wall box must be installed level. Failure to do so will result in water leakage into the room or wall.
6. Caution: If copper tubing is soldered to the drain plate do not overheat the connection, as damage to the moulded drain pan will result.



ClimateMaster

A COMBINATION OF CHP CORP. AND
FRIEDRICH™ CLIMATE MASTER, INC.

Friedrich Climate Master, Inc.
2007 Beechgrove Place
Ulica, New York 13501
(315) 724-7111

INSTALLATION INSTRUCTIONS

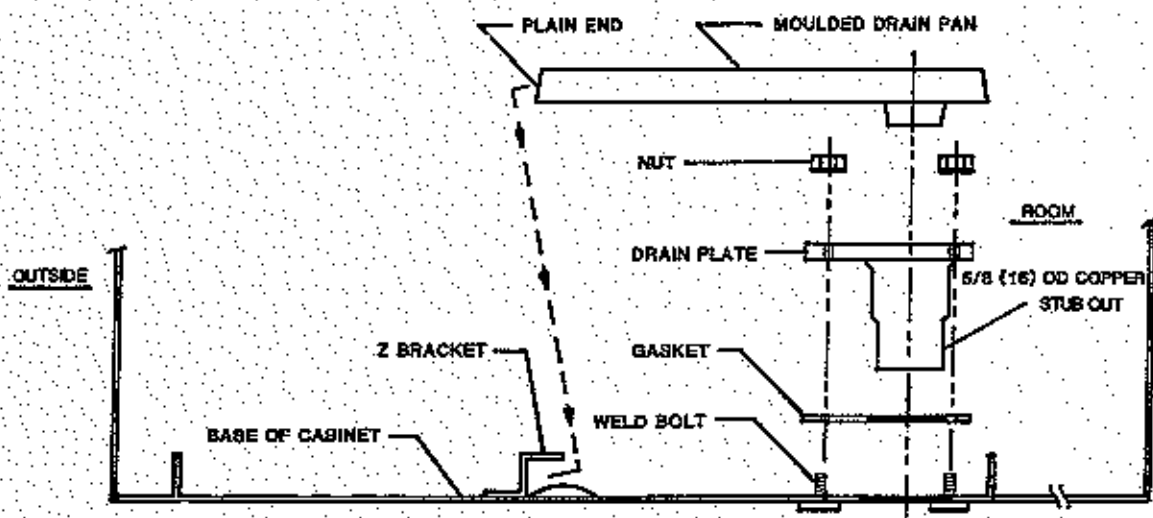
For

DRAIN KIT

PART NO. AD0001

For Use With 703 / 704 SP Cabinet

1. Remove and discard plastic plug located in drain opening at bottom right inside of cabinet.
2. Place gasket over 4 weld bolts.
3. Install drain plate over 4 weld bolts and tighten with nuts provided.
4. Insert plain end of moulded drain pan at slight angle into Z shaped bracket and lower other end (with drain hole) into opening of drain plate.
5. For proper drainage of condensate, the cabinet must be installed level. Failure to do so will result in water leakage into the room or wall.
6. Caution: If copper tubing is soldered to drain plate, do not overheat connection, as damage to the moulded drain pan will result.
7. This drain kit may not be used in combination with the SP room cabinet extension.



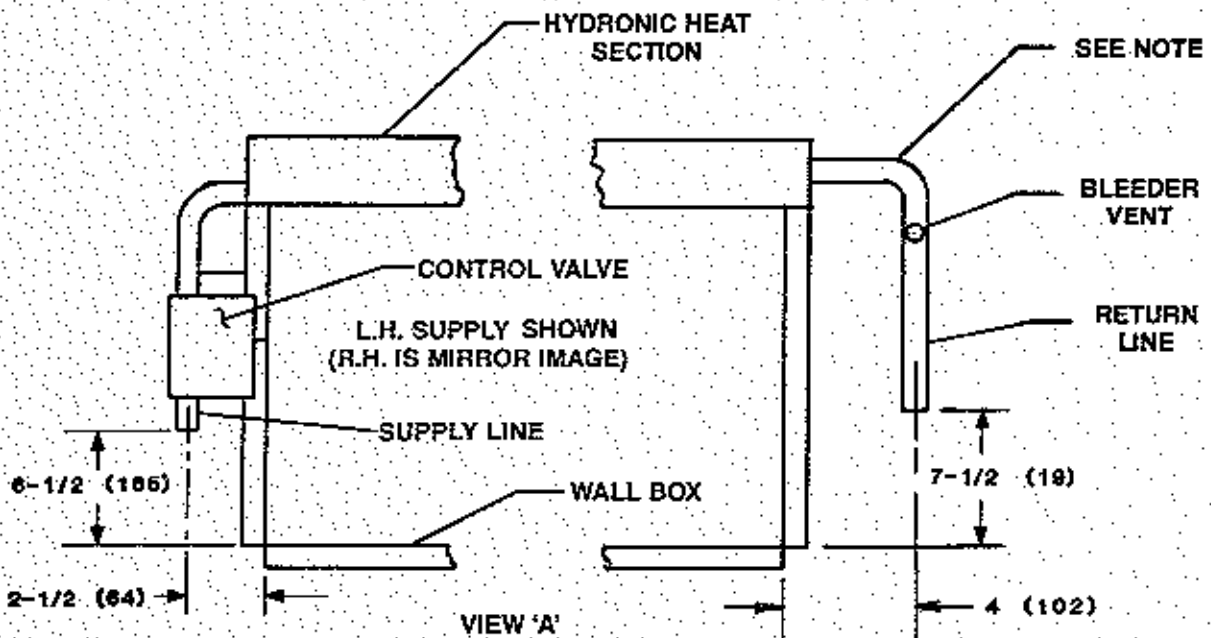
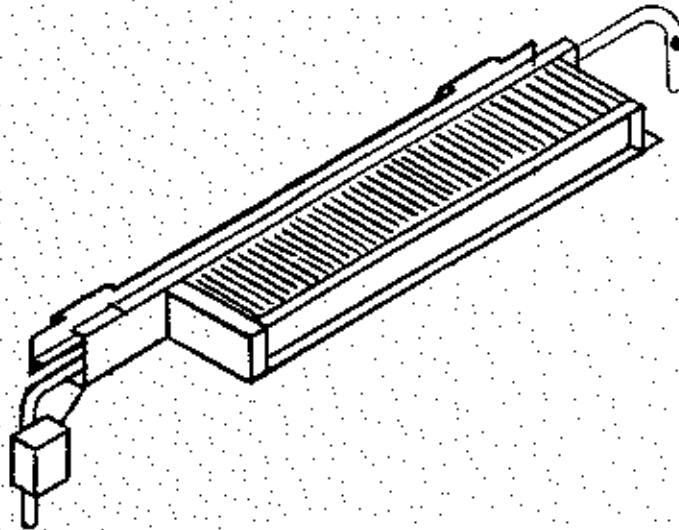
ClimateMaster

A COMBINATION OF CHP CORP. AND
FRIEDRICH™ CLIMATE MASTER, INC.

Friedrich Climate Master, Inc.
2007 Beechgrove Place
Ulva, New York 13501
(315) 724-7111

SUBMITTAL

702 MP W/ HYDRONIC OPPOSITE END CONNECTIONS



NOTE:
DIMENSION FROM FRONT
FLANGE OF WALL SLEEVE TO
CENTER LINE OF PIPING ON
HYDRONIC HEAT SECTION
IS 2" (61)

() - DIMENSIONS IN MILLIMETERS



Continuing engineering research
results in steady improvements.
Therefore, these specifications are
subject to change without notice.

PTAC/PTHP-008

Printed in U.S.A.

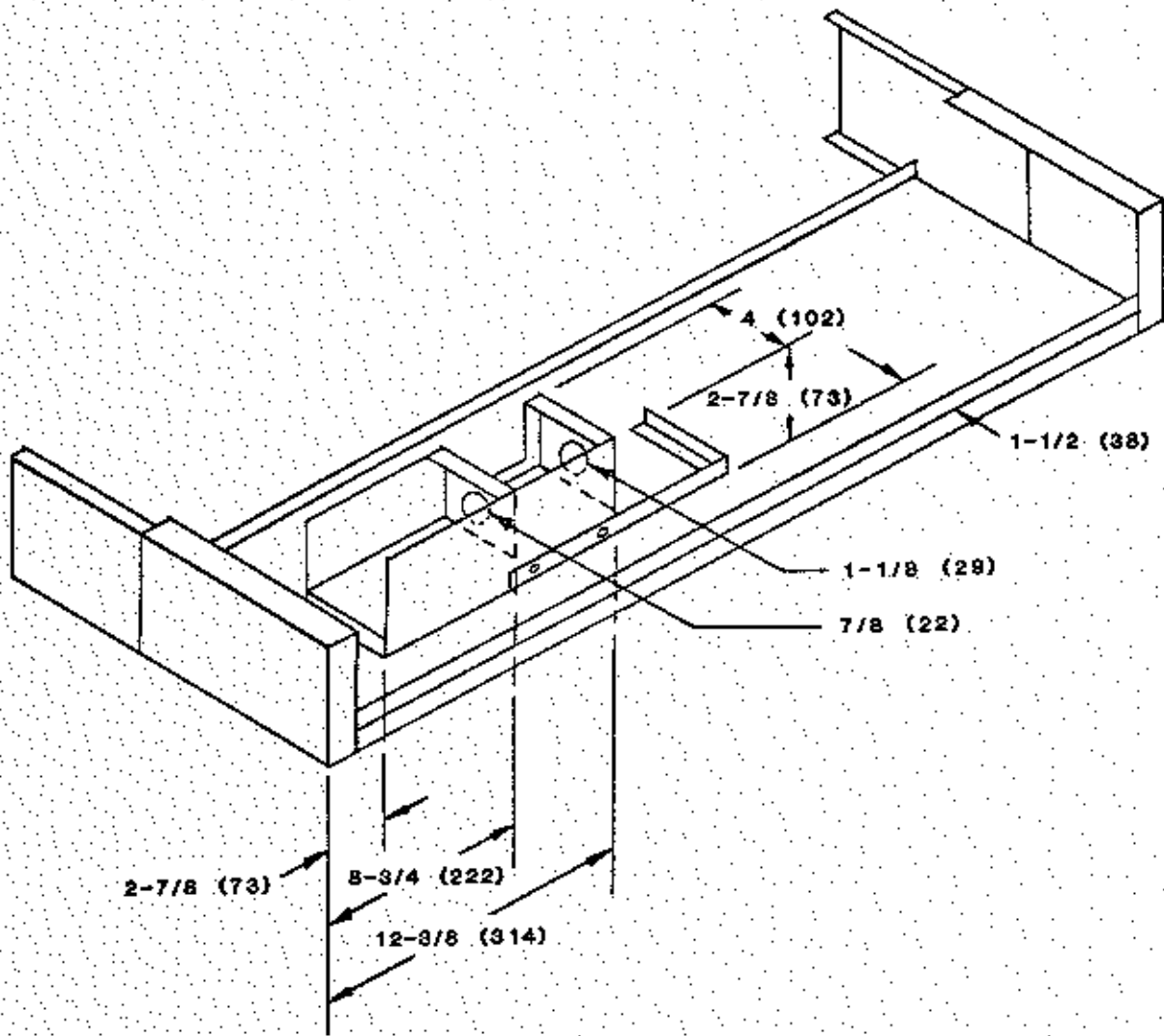
12/86

ClimateMaster
A COMBINATION OF CHP CORP AND
FRIEDRICH* CLIMATE MASTER, INC.

©1986 CLIMATE MASTER

DIMENSIONS

702SP / 703SP SERIES



LOCATION OF ELECTRICAL RECEPTACLE BOX

() - DIMENSIONS IN MILLIMETERS

Continuing engineering research results in steady improvements. Therefore, these specifications are subject to change without notice.

PTAG/PTHP-009

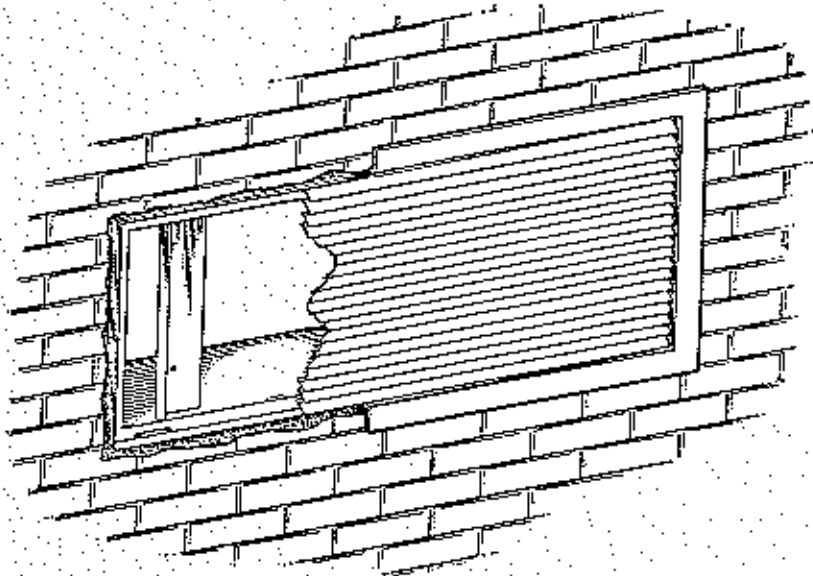
Printed in U.S.A. 12/86

ClimateMaster
A COMBINATION OF CHP CORP. AND
 FRIEDRICH™ CLIMATE MASTER, INC.

©1986 CLIMATE MASTER

PRODUCT INFORMATION

FLANGED LOUVER COLLAR

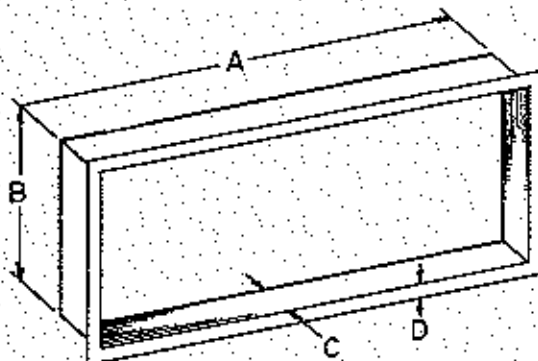


The flanged louver collar is designed to hide any imperfections on the exterior wall around a Climate Master 702, 703 or 704 Packaged Terminal Unit.

In retrofit applications in particular, it is not always possible to cut a clean hole in the wall. The flanged louver collar hides any chips or holes around the unit and gives a clean, neat and consistent appearance to the outside of the building.

Specifications:

Material: Anodized aluminum .0050" (1.27)
Available for SP or MP cabinet.



DIMENSIONS

	SP	MP
A	40-1/4 (1022)	36-3/4 (934)
B	16-11/16 (424)	16-3/16 (411)
C	2 (51)	2 (51)
D	1-1/4 (32)	1-1/4 (32)

()-DIMENSIONS IN MILLIMETERS

Continuing engineering research results in steady improvements. Therefore, these specifications are subject to change without notice.

PTAC/PTHP-010

ClimateMaster

Printed in U.S.A. 12/88

A COMBINATION OF CHP CORP. AND FRIEDRICH™ CLIMATE MASTER, INC.

INSTALLATION INSTRUCTIONS

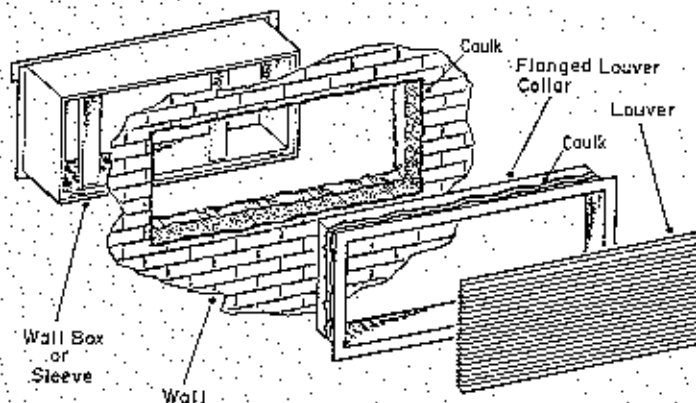
For

FLANGED LOUVER COLLAR

Series Part No. 762

For Use With 702 / 703 / 704 SP & MP Units

- 1) When sizing hole in the wall, note that on the wall exterior the hole must be sized to allow the flanged louver collar to fit in the wall.
- 2) If possible, install the flanged louver collar from outside. If this is not possible, it can be installed from inside, but special care must be made to insure all of the joints are properly caulked.
- 3) Apply a bead of caulk around the flanged collar to seal the collar to the wall, as shown below.
- 4) Using a hook to prevent the collar from falling, insert the collar into the wall as shown below.
- 5) Secure the collar to the wall using appropriate fasteners (molly bolts, sheet metal screws, etc.)
- 6) Apply a bead of caulk around the inside of the collar to seal the wall box/sleeve to the louver collar, as shown below.
- 7) Insert the wall box or cabinet/sleeve into the wall and slide inside the louver collar (see 702/703/704 Installation Instructions).
- 8) Install the outside louver to the wall box or sleeve (see Louver Installation Instructions).



CLIMATE MASTER INC.
2007 BEECHGROVE PLACE
UTICA, NY 13501
315-724-7111

12/86 PTAC/PTHP-010

ClimateMaster
A COMBINATION OF QHP CORP. AND
FRIEDRICH® CLIMATE MASTER, INC.

©1988 CLIMATE MASTER

INSTALLATION INSTRUCTIONS

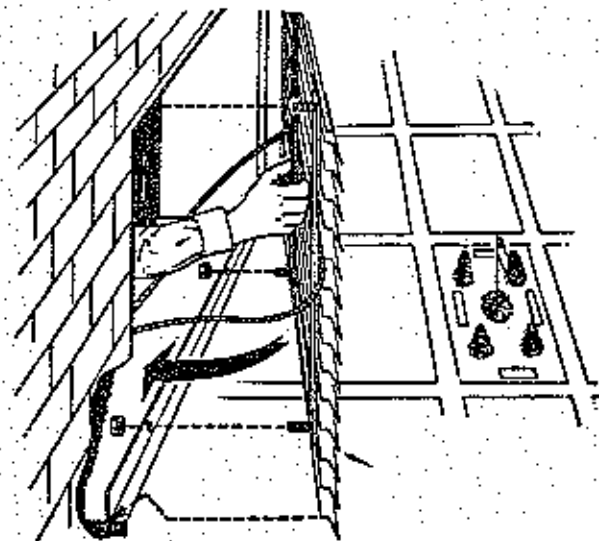
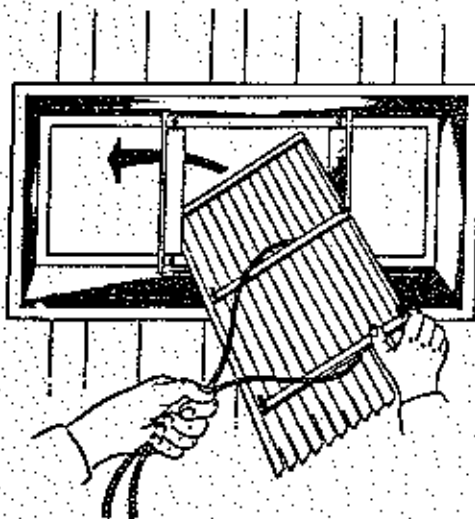
For

ARCHITECTURAL OUTSIDE LOUVER

Series Part No. 722

For Use With 702 / 703 / 704 MP & SP UNITS

1. Remove temporary weather panel from wall box or sleeve and discard.
2. Tie a safety line to louver to prevent it from falling during installation.
3. With safety line attached, insert louver through wall box or sleeve.
4. Turn louver so that vanes angle downward.
5. Align 4 bolts on louver with 4 holes in wall box or sleeve.
6. Pull louver tight against wall box or sleeve and tighten with 4 nuts provided.
7. Remove safety line.



CLIMATE MASTER INC.
2007 BEECHGROVE PLACE
UTICA, NY 13501
315-724-7111

PTAC/PTHP-011

1/87

F3040

ClimateMaster
A COMBINATION OF CHP CORP. AND
FRIEDRICH™ CLIMATE MASTER, INC.

©1987 CLIMATE MASTER

APPLICATION OF 702/703/704 MP CABINETS IN THIN WALLS

Climate Master MP cabinets can be used on any size wall -- from a 1" (25.4) panel wall to a 25" (635) deep wall. This Application Note explains how an MP cabinet is used in a wall less than 10" (254) in depth.

The smallest wall box available is a 10" (254) wall box. When used in a thin wall application, this wall box is mounted flush to the outside wall. Part of the wall box will extend into the room, seen as dimension B in Figure 1. If the wall is 4" (102) deep or less, support brackets are required. As with all installations, the wall box must be installed with the top level.

An added depth room cabinet is used in this application. The added depth cabinet contains the wall box mounting flange at the appropriate depth to mount the cabinet to the wall box. The cabinet completely covers the wall box.

Note also that the adjustable height kick plate grows in depth in proportion to the depth of the cabinet.

Wall Depth (inches)	Wall Box Depth (inches)	A Room Cabinet Depth (inches)	B Wall Box Extends Into Room (inches)	C Kick Plate Depth (inches)	Notes
1 (25)	10 (254)	19 (483)	9 (229)	15 (381)	(1)
2 (51)	10 (254)	18 (457)	8 (203)	14 (356)	(1)
3 (76)	10 (254)	17 (432)	7 (178)	13 (330)	(1)
4 (102)	10 (254)	16 (406)	6 (152)	12 (305)	(1)
5 (127)	10 (254)	15 (381)	5 (127)	11 (279)	
6 (152)	10 (254)	14 (356)	4 (102)	10 (254)	
7 (178)	10 (254)	13 (330)	3 (76)	9 (229)	
8 (203)	10 (254)	12 (305)	2 (51)	8 (203)	
9 (229)	10 (254)	11 (279)	1 (25)	7 (178)	
10 (254)	10 (254)	10 (254)	0	6 (152)	
11 (279)	11 (279)	10 (254)	0	6 (152)	
12 (305)	12 (305)	10 (254)	0	6 (152)	
13 (330)	13 (330)	10 (254)	0	6 (152)	
14 (356)	14 (356)	10 (254)	0	6 (152)	
15 (381)	15 (381)	10 (254)	0	6 (152)	
16 (406)	16 (406)	10 (254)	0	6 (152)	
17 (432)	17 (432)	10 (254)	0	6 (152)	
18 (457)	18 (457)	10 (254)	0	6 (152)	
19 (483)	19 (483)	10 (254)	0	6 (152)	
20 (508)	20 (508)	10 (254)	0	6 (152)	
21 (533)	21 (533)	10 (254)	0	6 (152)	
22 (559)	22 (559)	10 (254)	0	6 (152)	
23 (584)	23 (584)	10 (254)	0	6 (152)	
24 (610)	24 (610)	10 (254)	0	6 (152)	
25 (635)	25 (635)	10 (254)	0	6 (152)	

(1) Support legs required

() Dimensions in millimeters

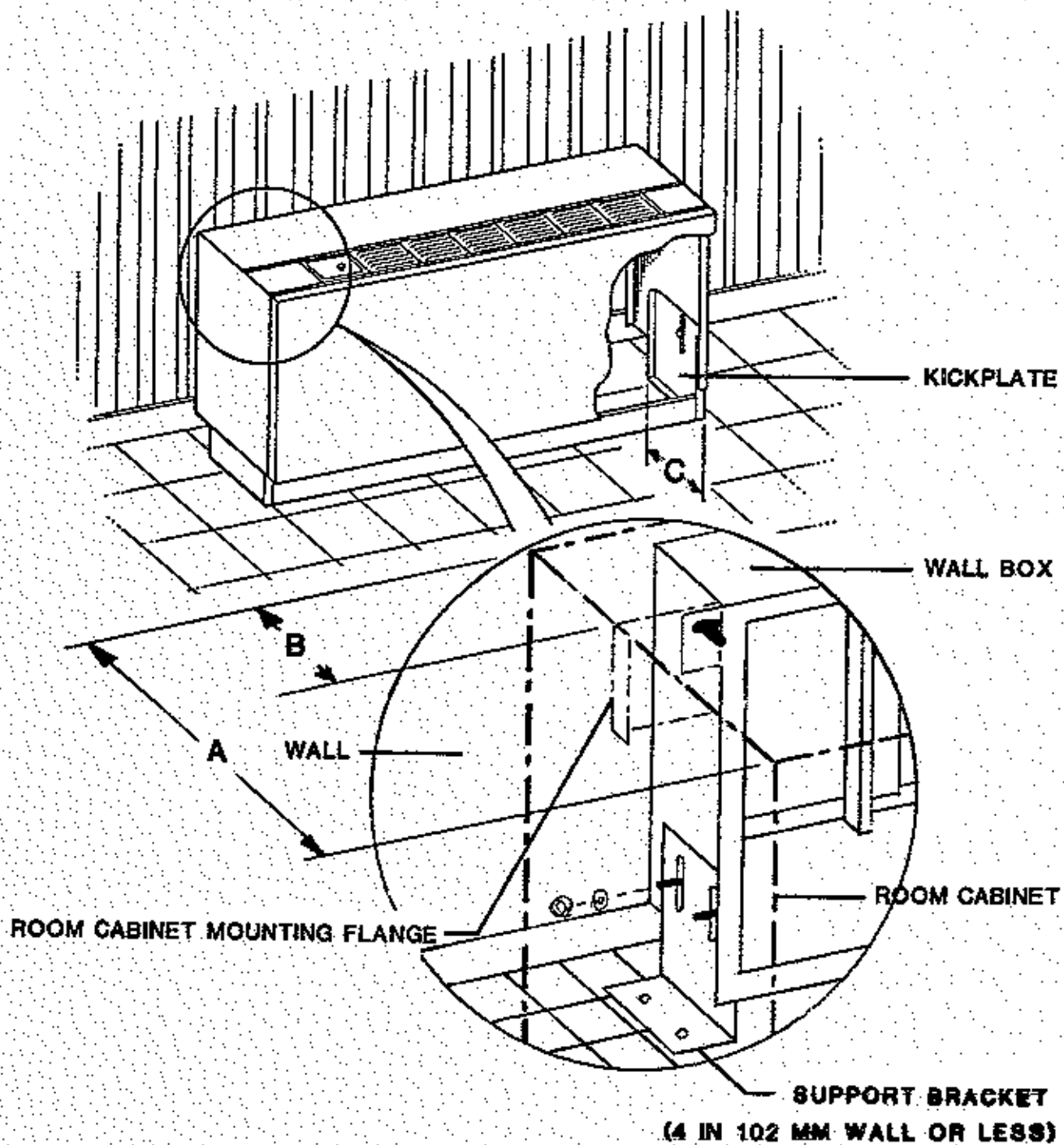


FIGURE 1

APPLICATION OF 702/703/704 MP CABINETS IN THIN WALLS

No one is authorized to reproduce or alter this document in any way without the written authorization of an officer of the company.

Continuing engineering research results in steady improvements. Therefore, these ratings and specifications are subject to change without notice.

©1987 CLIMATE MASTER

ClimateMaster

A COMBINATION OF CHP CORP. AND FRIEDRICH™ CLIMATE MASTER, INC.

PRODUCT INFORMATION

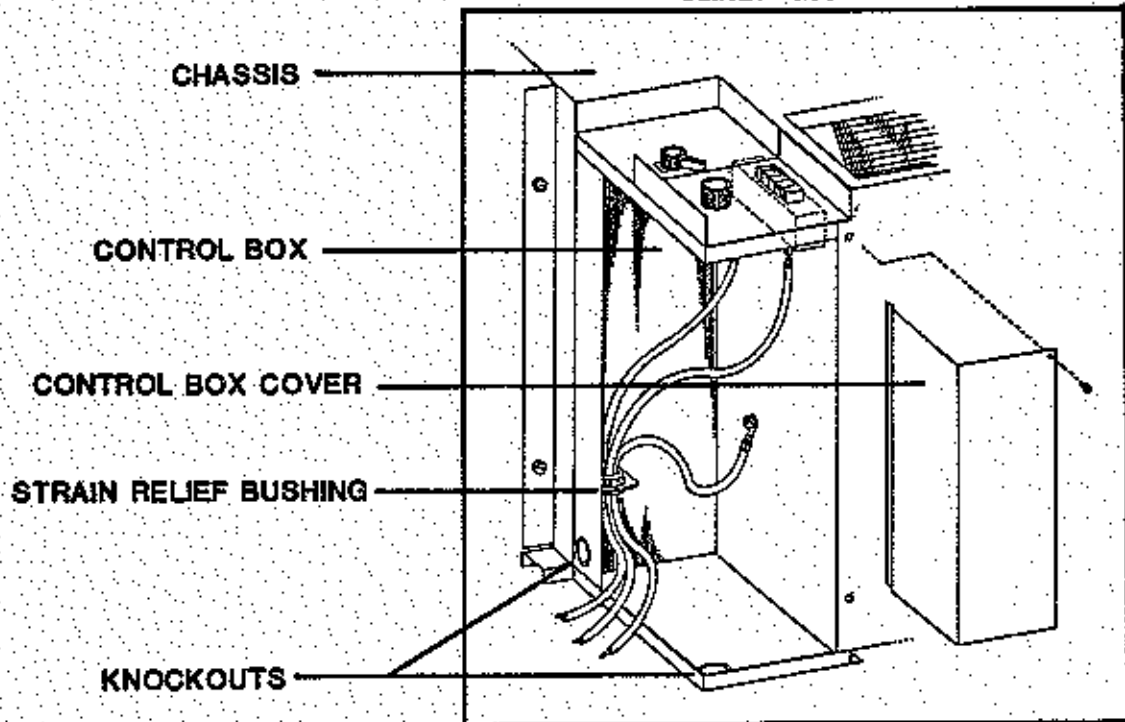
702/703/704 POWER WIRING

702/703/704 POWER WIRING

Climate Master 702/703/704 Series Packaged Terminal Air Conditioners and Heat Pumps are available with a number of different power wiring options to allow flexibility and economy during field installation.

AVAILABLE OPTIONS:

Cabinet	Option	Notes
SP and MP	Hardwired	Standard; see below.
SP and MP	With Line Cord only (Left or Right Hand)	Non-UL on 265V units, with hydronic heat, or with Adjoining Room Outlet.
SP	Line Cord with Receptacle Box (Subbase Mounting)	Left Hand only; see Re- ceptacle Box (over).
MP	Line Cord with Receptacle Box (Cabinet Mounting)	Left or Right Hand; see Receptacle Box, Field Mounted (over).
SP and MP	Add Disconnect Switch to Receptacle Box	Standard Power Wiring: 208/230 V. 265V.
SP and MP	Add Circuit Breaker to Receptacle Box	Green: Ground Green: Ground Black: Neutral White: Neutral Black: Hot Black: Hot



Continuing engineering research results in steady improvements. Therefore, these specifications are subject to change without notice.

PTAC/PTHP-014

Printed in U.S.A. 12/86

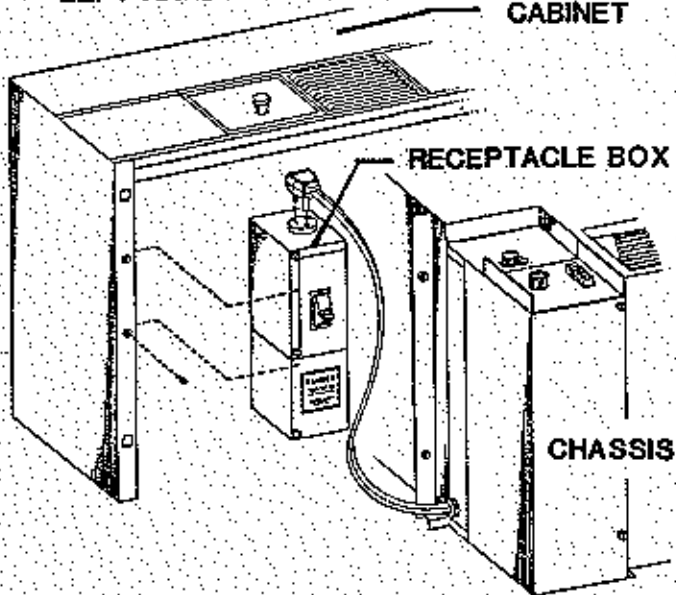
ClimateMaster
A COMBINATION OF CHP CORP. AND
FRIEDRICH® CLIMATE MASTER, INC.

702/703/704 WITH MP CABINET

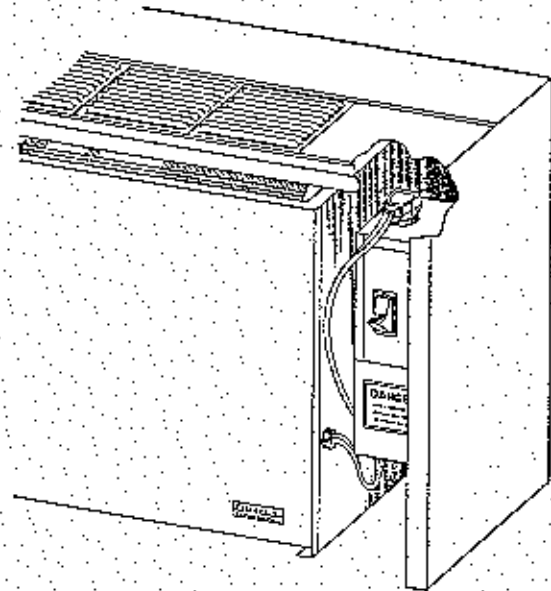
LINE CORD WITH CABINET MOUNTED RECEPTACLE BOX AND DISCONNECT SWITCH

LEFT HAND

CABINET

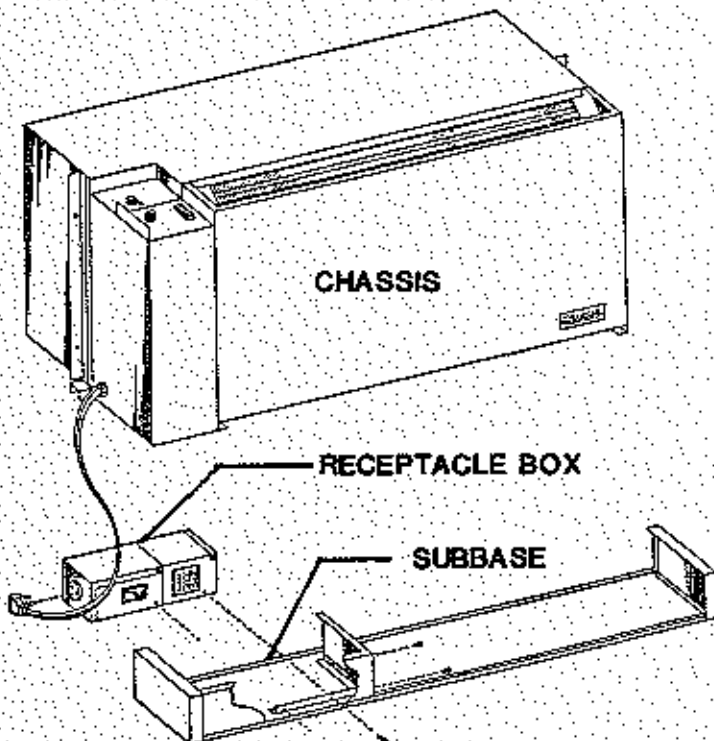


RIGHT HAND



702/703/704 WITH SP CABINET

LINE CORD WITH SUBBASE MOUNTED RECEPTACLE BOX AND DISCONNECT SWITCH



PLUGS AND RECEPTACLES USED

NEMA Line 5-20 2-Pole, 3-Wire
20 Amp, 125V



NEMA 5-20 Receptacle



NEMA 5-20 Plug

NEMA Line 6-30 2-Pole, 3-Wire
20 Amp, 250 Volt (Cont.)



NEMA 6-30 Receptacle



NEMA 6-30 Plug

NEMA Line 6-30 2-Pole, 3-Wire
30 Amp, 250V



NEMA 6-30 Receptacle



NEMA 6-30 Plug

NEMA Line 7-20 2-Pole, 3-Wire
20 Amp 277V



NEMA 7-20 Receptacle



NEMA 7-20 Plug