



**APPLICATION**

The ASW 12 is for use with MPC's specially programmed for ClimaDry® II control.

**FEATURES**

- Temperature and humidity sensing
- 2% RH accuracy
- Temperature setpoint and override
- Digital LCD display

**SPECIFICATIONS**

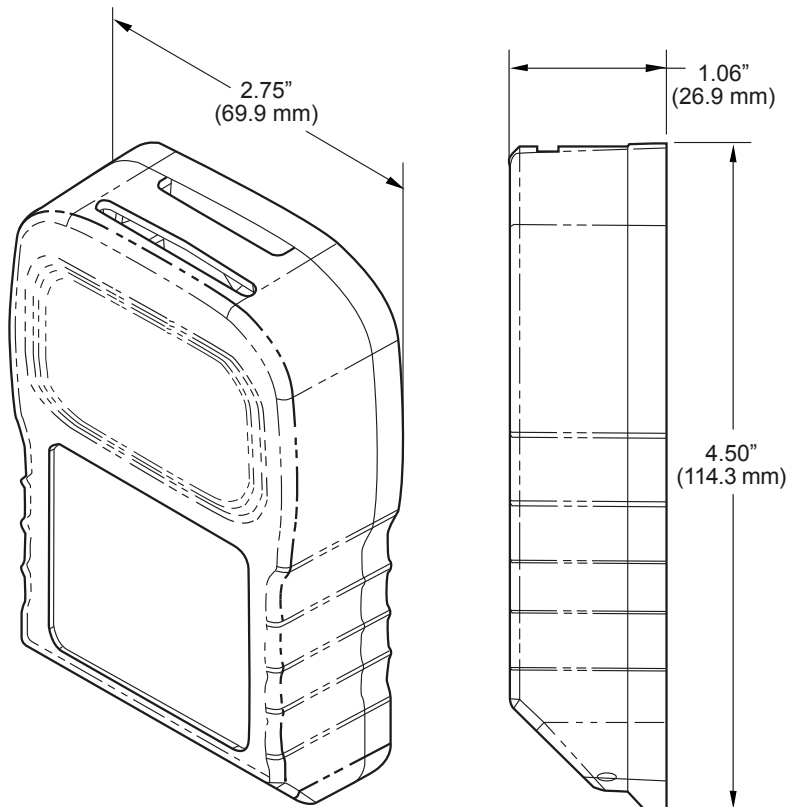
**Electrical Rating:**

- Supply Voltage: 10 to 40 VDC or 12 to 24 VAC
- Output Voltage: 0 - 5 V at 0 to 100% RH
- Thermistor: 10K Ohms at 77°F

Figure 1: ASW12 Sensor



Figure 2: ASW12 Enclosure Dimensions



ClimateMaster works continually to improve its products. As a result, the design and specifications of each product at the time of order may be changed without notice and may not be as described herein. Please contact ClimateMaster's Customer Service Department at 1-405-745-6000 for specific information on the current design and specifications. Statements and other information contained herein are not express warranties and do not form the basis of any bargain between the parties, but are merely ClimateMaster's opinion or commendation of its products. The latest version of this document is available at [www.climatemaster.com](http://www.climatemaster.com).

