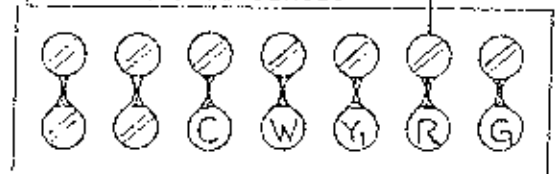


NOTES:

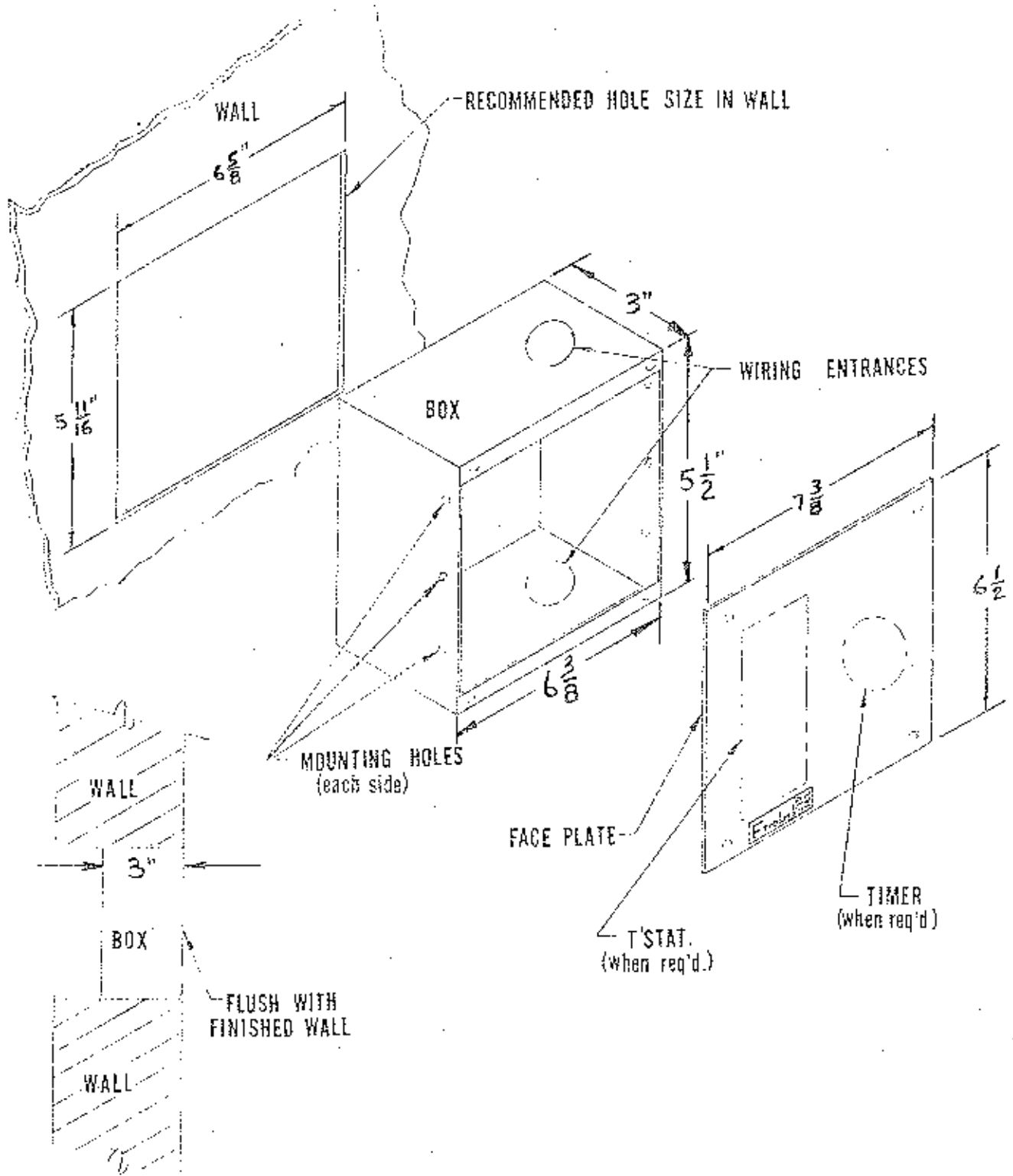
1. PROGRAM BOX - SUPPLIED BY FRIEDRICH - INCLUDES PROGRAM RELAY, HONEYWELL T822 60 to 65°F SET-BACK T' STAT, 2 HR O'RIDE TIMER.
2. ACC T' STAT - SPECIAL AUTOMATIC CHANGE OVER THERMOSTAT WITH MINIMUM 68°F COOL & 65°F MINIMUM HEAT STOPS.
3. TSB - SET BACK THERMOSTAT HOLDS UNOCCUPIED SPACE @ 60 to 65°F MINIMUM TEMPERATURE
4. PROGRAM CLOCK SIGNAL -
ALLOW 15VA PER UNIT TO SIZE CLOCK TRANSFORMER. PROGRAM SIGNAL ENERGIZED DURING NORMAL OCCUPANCY, DE-ENERGIZED NIGHTS & WEEK-ENDS.
5. O'RIDE - 0 to 2 HR OVER-RIDE TIMER ALLOWS OCCUPANT FULL CONTROL OF UNIT DURING PERIODS WHEN BUILDING IS NORMALLY UNOCCUPIED

UNIT TERMINAL BOARD
V/H 10 THRU 62 SERIES



INSTALLATION INSTRUCTIONS

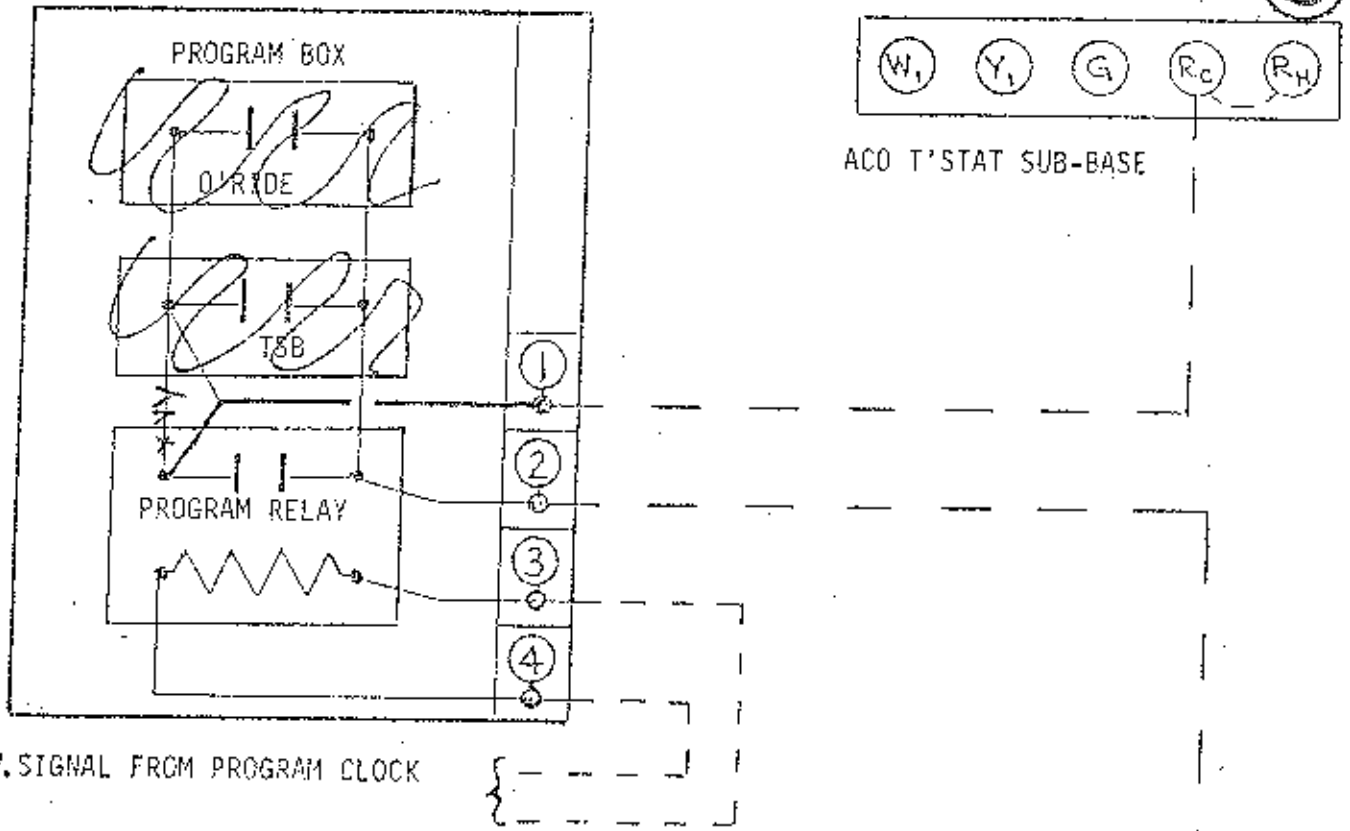
2



ZONE PROGRAMMING BOX WITH TEMPERATURE
SET BACK & MANUAL RESET TIMER

V/H - 10 THRU 62
800 WITH WALL THERMOSTAT
CONTROL

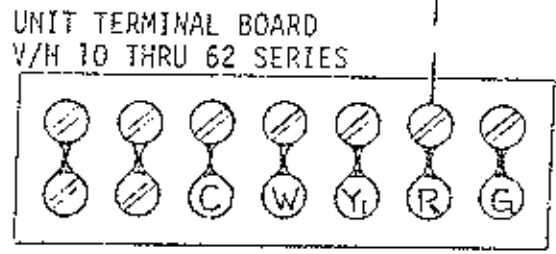
16127600

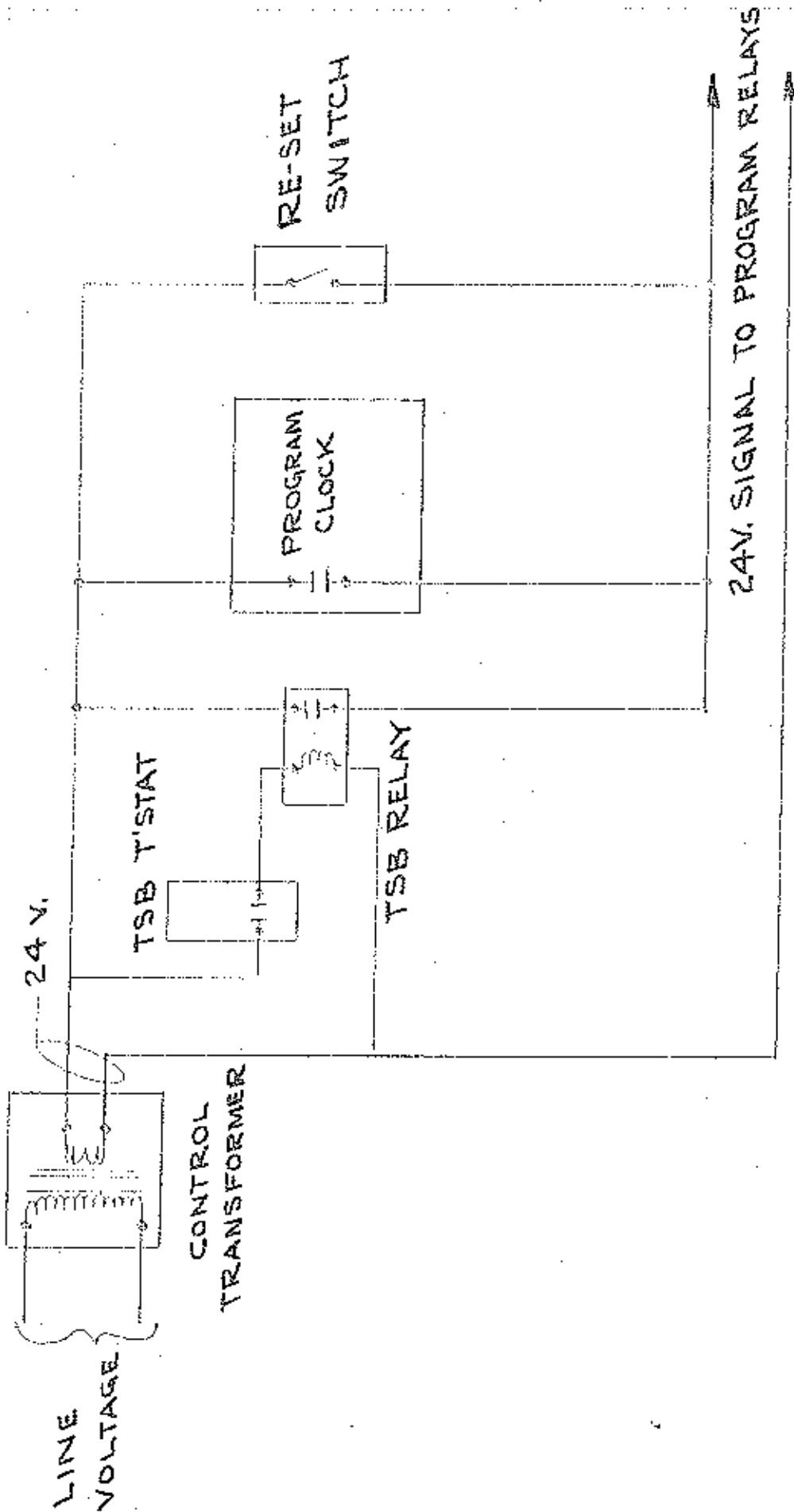


24V. SIGNAL FROM PROGRAM CLOCK

NOTES:

1. PROGRAM BOX - SUPPLIED BY FRIEDRICH - INCLUDES PROGRAM RELAY, ~~HONEYWELL T822 60 to 65°F SET-BACK T' STAT, 2 HR O'RIDE TIMER~~
2. ACO T' STAT - SPECIAL AUTOMATIC CHANGE OVER THERMOSTAT WITH MINIMUM 68°F COOL & 65°F MINIMUM HEAT STOPS.
3. ~~TSB - SET BACK THERMOSTAT HOLDS UNOCCUPIED SPACE @ 60 to 65°F MINIMUM TEMPERATURE~~
4. PROGRAM CLOCK SIGNAL - ALLOW 15VA PER UNIT TO SIZE CLOCK TRANSFORMER. PROGRAM SIGNAL ENERGIZED DURING NORMAL OCCUPANCY, DE-ENERGIZED NIGHTS & WEEK-ENDS.
5. ~~O'RIDE 0 to 2 HR OVER-RIDE TIMER ALLOWS OCCUPANT FULL CONTROL OF UNIT DURING PERIODS WHEN BUILDING IS NORMALLY UNOCCUPIED~~





24V. ZONE PROGRAM WIRING (4)
 F.W. PARKER (9.77)