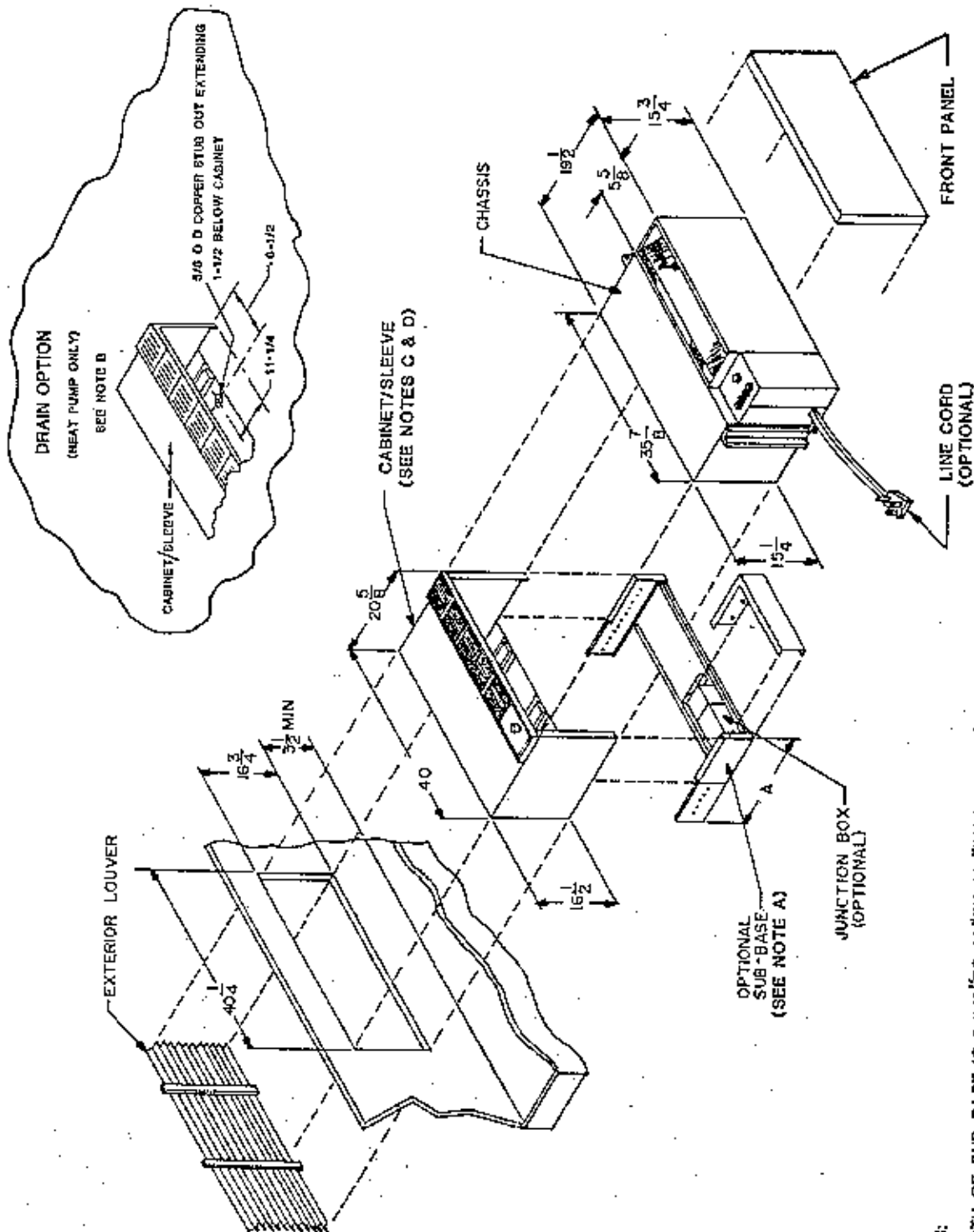


DIMENSIONS 702/703/704 SP SERIES



NOTES:

A: DEPTH OF SUB-BASE IS 8-1/2" TO 20" (IN 1/2" INCREMENTS)

B: DRAIN CONNECTION 5/8" OD COPPER STUB OUT

C: MINIMUM OF 8-1/2" OF CABINET/SLEEVE MUST BE INSIDE ROOM

D: FOR DEEPER WALLS, USE CABINET EXTENSIONS (4" OR 10" AVAILABLE)

Continuing engineering research results in steady improvements. Therefore, these specifications are subject to change without notice.

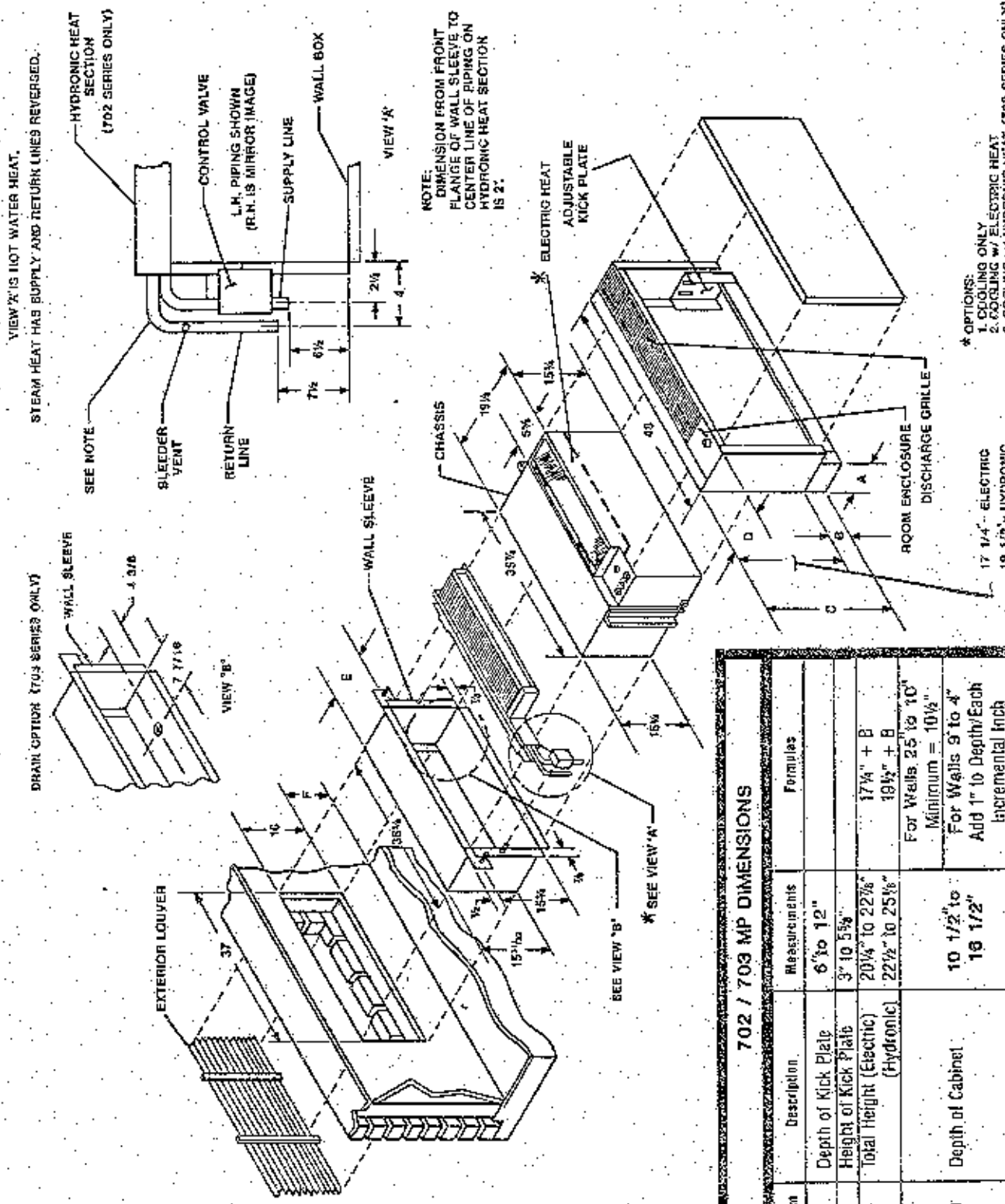
Printed in U.S.A.

7/85

Friedrich
Climate Master

DIMENSIONS

702 - 703 MP SERIES



702 / 703 MP DIMENSIONS

Item	Description	Measurements	Formulas
A	Depth of Kick Plate	6" to 12"	
B	Height of Kick Plate	3" to 5 1/2"	
C	Total Height (Electric) (Hydronic)	20 1/4" to 22 1/4" 22 1/2" to 25 1/4"	17 1/4" + B 19 1/4" + B For Walls 25" to 10" Minimum = 10 1/2"
D	Depth of Cabinet	10 1/2" to 16 1/2"	For Walls 9" to 4" Add 1" to Depth/Each Incremental Inch
E	Depth of Wall Box	10" to 25"	
F	Base of Opening	3 1/2" to 6 1/4"	

Continuing engineering research results in steady improvements. Therefore, these specifications are subject to change without notice.

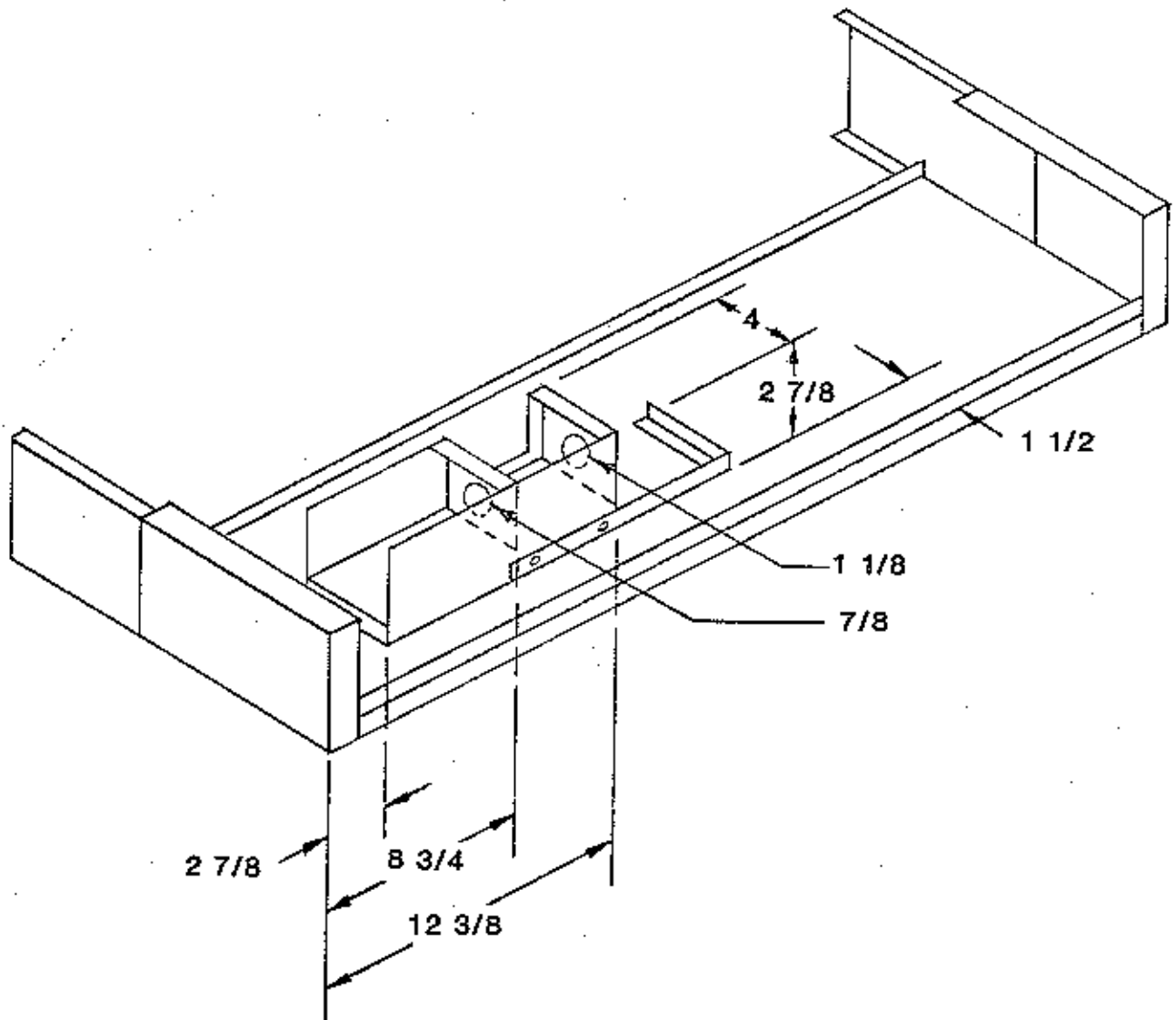
SUPERSEDES DIMENSION SHEET DATED 6/84

Printed in U.S.A. 7/84

Friedrich
Climate Master

DIMENSIONS

702SP / 703SP SERIES



LOCATION OF ELECTRICAL RECEPTACLE BOX.

Continuing engineering research
results in steady improvements.
Therefore, these specifications are
subject to change without notice.

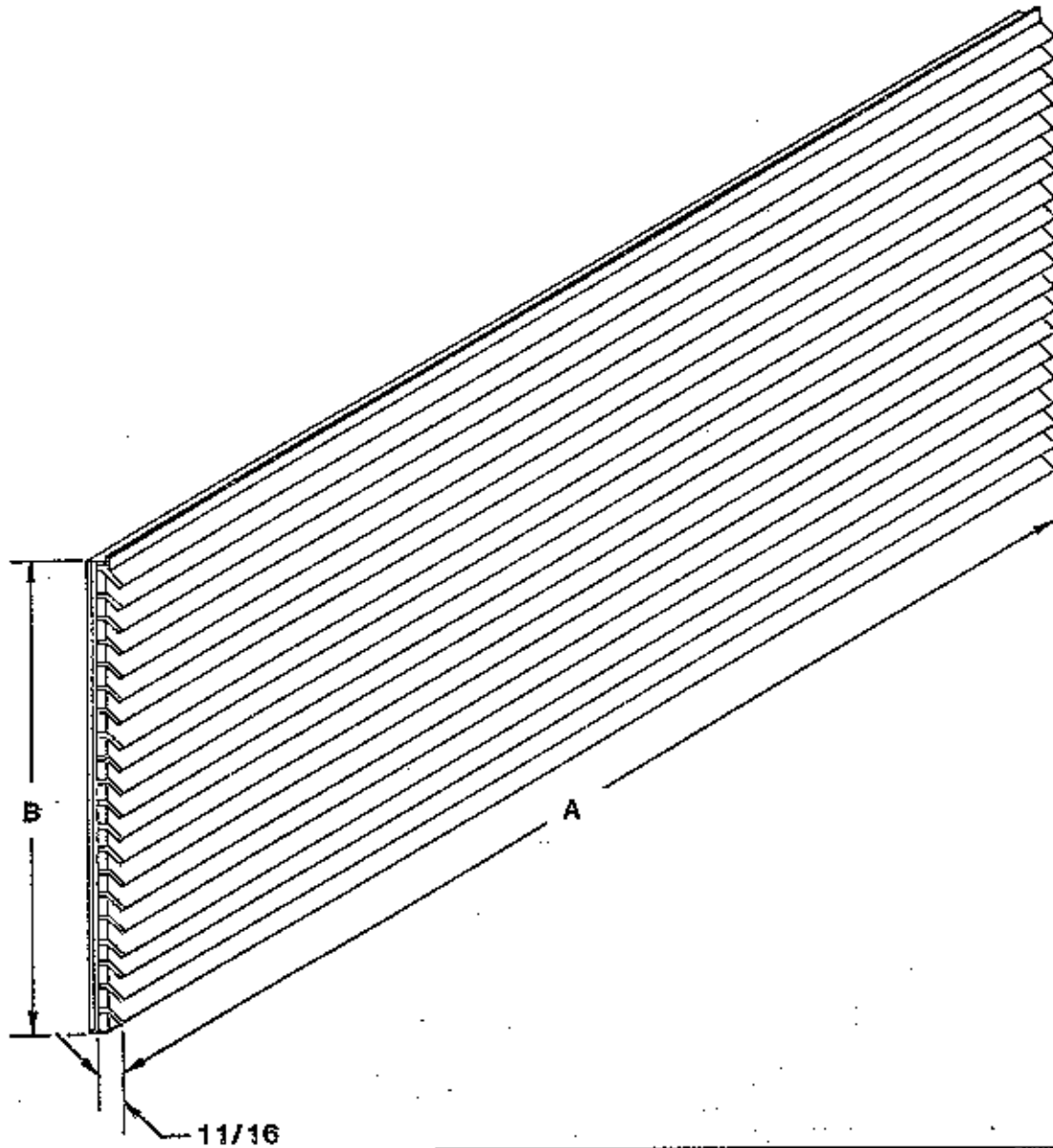
Printed in U.S.A. 5/84

Friedrich
Climate Master

© 1984 FRIEDRICH

PRODUCT INFORMATION

LOUVER 702 / 703 SERIES



Note:

Material - .060 Aluminum Vane

Finish - Clear Anodize Throughout

DIMENSIONS		
702/703 SERIES	A	B
MP WALLBOX	36 5/32	15 1/2
SP CABINET	39 17/32	15 31/32

Continuing engineering research results in steady improvements. Therefore, these specifications are subject to change without notice.

Printed in U.S.A. 5/84

Friedrich
Climate Master

PRODUCT INFORMATION

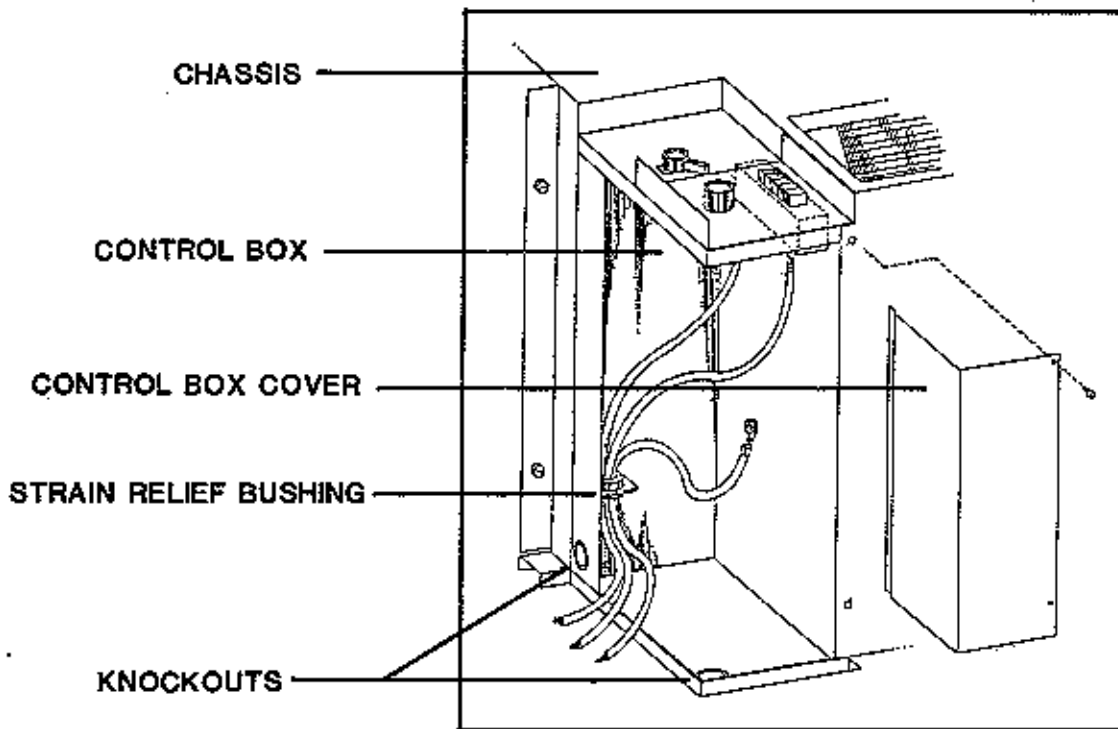
702/703/704 POWER WIRING

702/703/704 POWER WIRING

Climate Master 702/703/704 Series Packaged Terminal Air Conditioners and Heat Pumps are available with a number of different power wiring options to allow flexibility and economy during field installation.

AVAILABLE OPTIONS:

<u>Cabinet</u>	<u>Option</u>	<u>Notes</u>
SP and MP	Hardwired	Standard; see below.
SP and MP	With Line Cord only (Left or Right Hand)	Non-UL on 265V units, with hydronic heat, or with Adjoining Room Outlet.
SP	Line Cord with Receptacle Box (Subbase Mounting)	Left Hand only; see Re- ceptacle Box (over).
MP	Line Cord with Receptacle Box (Cabinet Mounting)	Left or Right Hand; see Receptacle Box, Field Mounted (over).
SP and MP	Add Disconnect Switch to Receptacle Box	Standard Power Wiring: Green: Ground White: Neutral Black: Hot
SP and MP	Add Circuit Breaker to Receptacle Box	



Continuing engineering research results in steady improvements. Therefore, these specifications are subject to change without notice.

F-3073

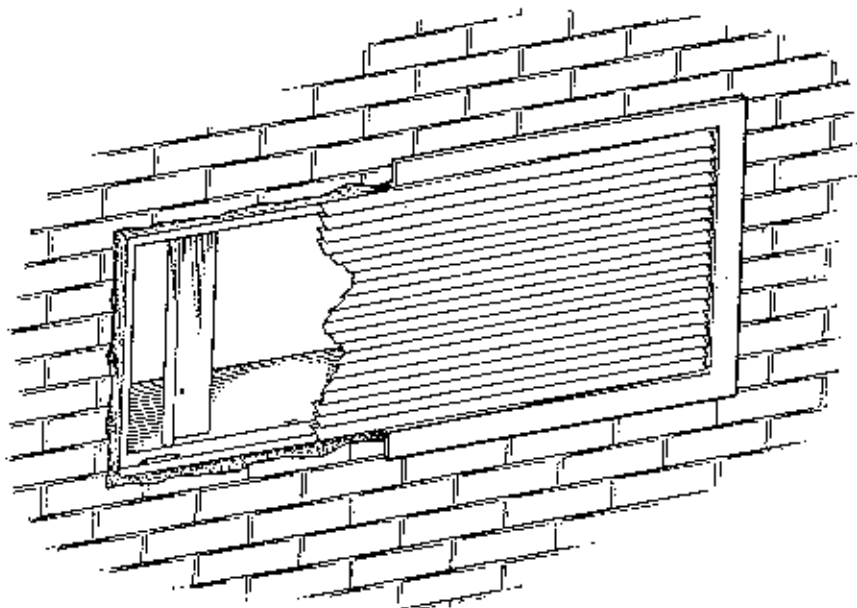
Printed in U.S.A.

6/85

Friedrich
Climate Master[®]

PRODUCT INFORMATION

FLANGED LOUVER COLLAR



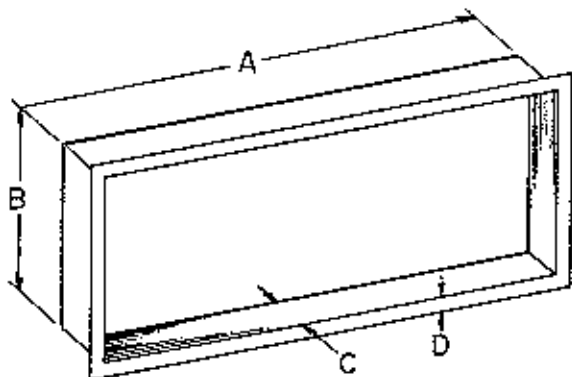
The flanged louver collar is designed to hide any imperfections on the exterior wall around a Climate Master 702, 703 or 704 Packaged Terminal Unit.

In retrofit applications in particular, it is not always possible to cut a clean hole in the wall. The flanged louver collar hides any chips or holes around the unit and gives a clean, neat and consistent appearance to the outside of the building.

Specifications:

Material: Anodized aluminum (0.050")
 Available for SP or MP cabinet.

Dimensions:



	SP	MP
A	40 1/4	36 3/4
B	16 11/16	16 3/16
C	2	2
D	1 1/4	1 1/4

NOTE: OTHER SIDE
IS 68393800

Continuing engineering research results in steady improvements. Therefore, these specifications are subject to change without notice.

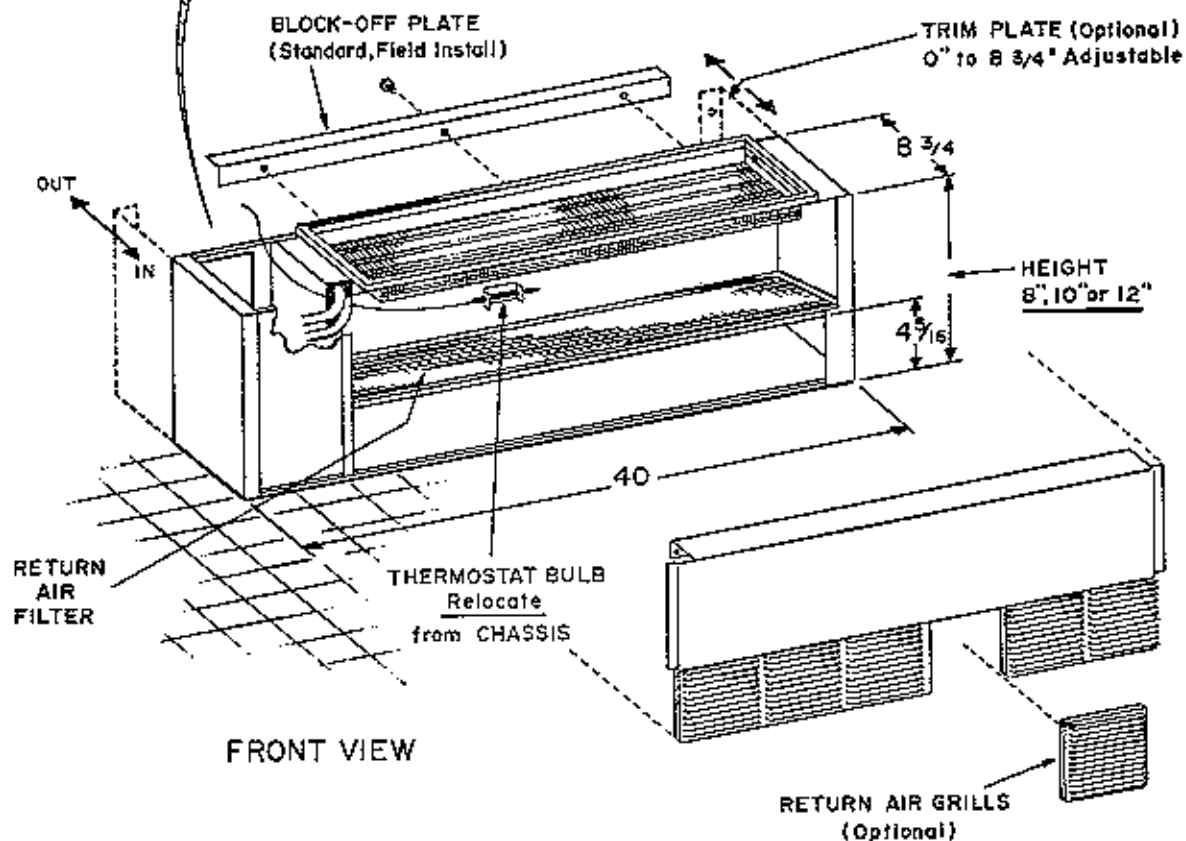
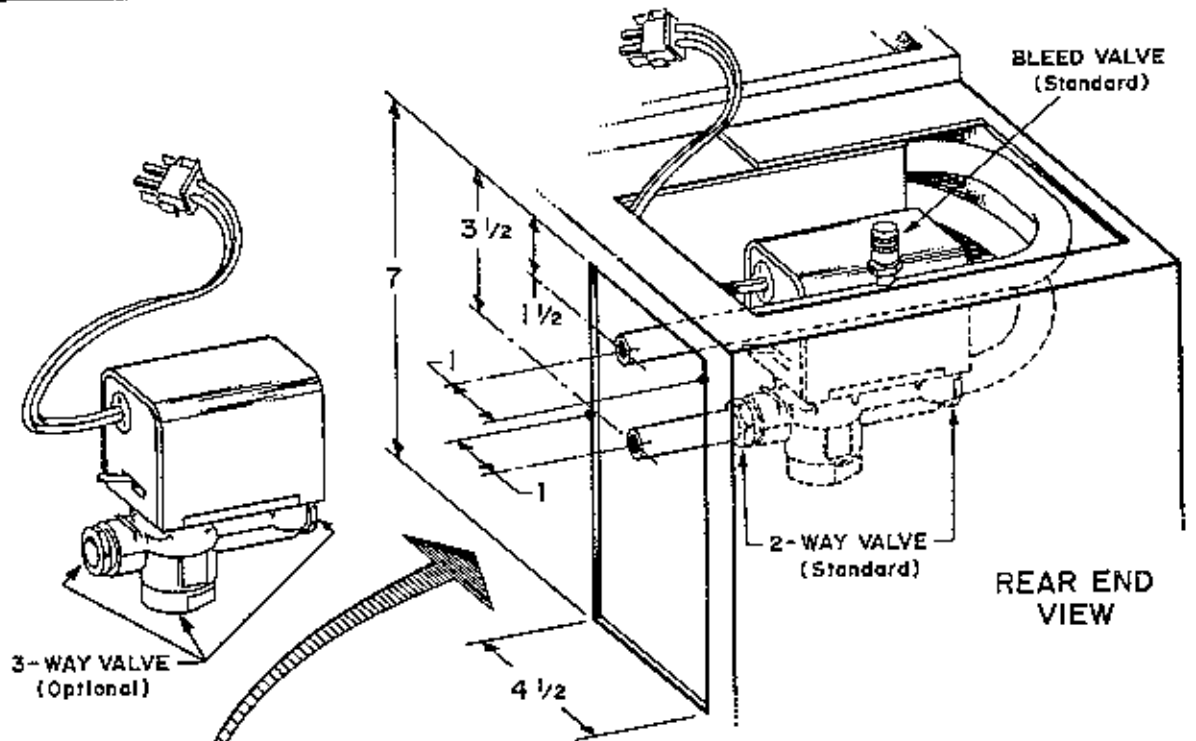
F-3065

Printed in U.S.A. 4/85

Friedrich
Climate Master

PRODUCT INFORMATION

702 / 703 / 704 SP CABINET HYDRONIC SUBBASE



Continuing engineering research results in steady improvements. Therefore, these specifications are subject to change without notice.

Printed in U.S.A.

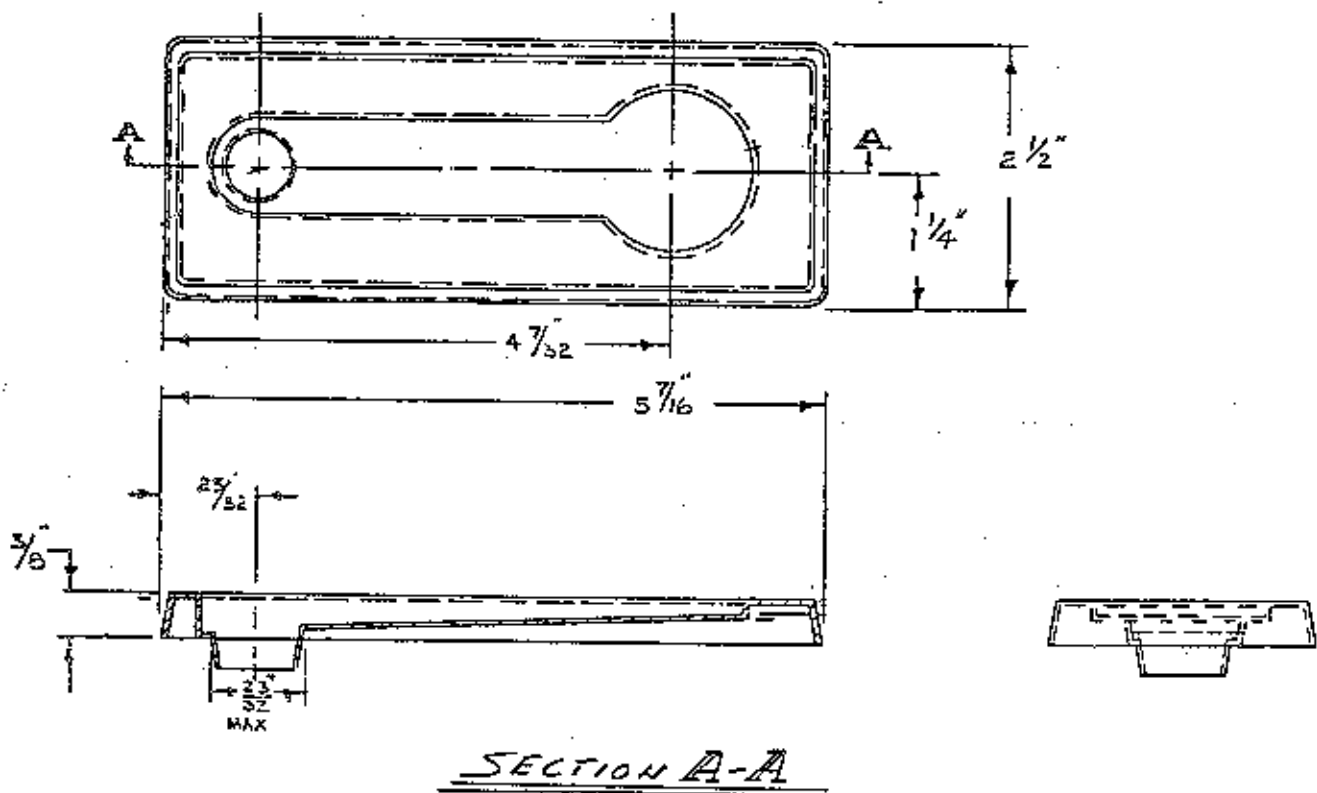
2/85

Friedrich
Climate Master[®]

©1985 FRIEDRICH

PRODUCT INFORMATION

DRAIN PAN-MOLDED 703 SERIES



Continuing engineering research
results in steady improvements.
Therefore, these specifications are
subject to change without notice.

Printed in U.S.A.

5/84

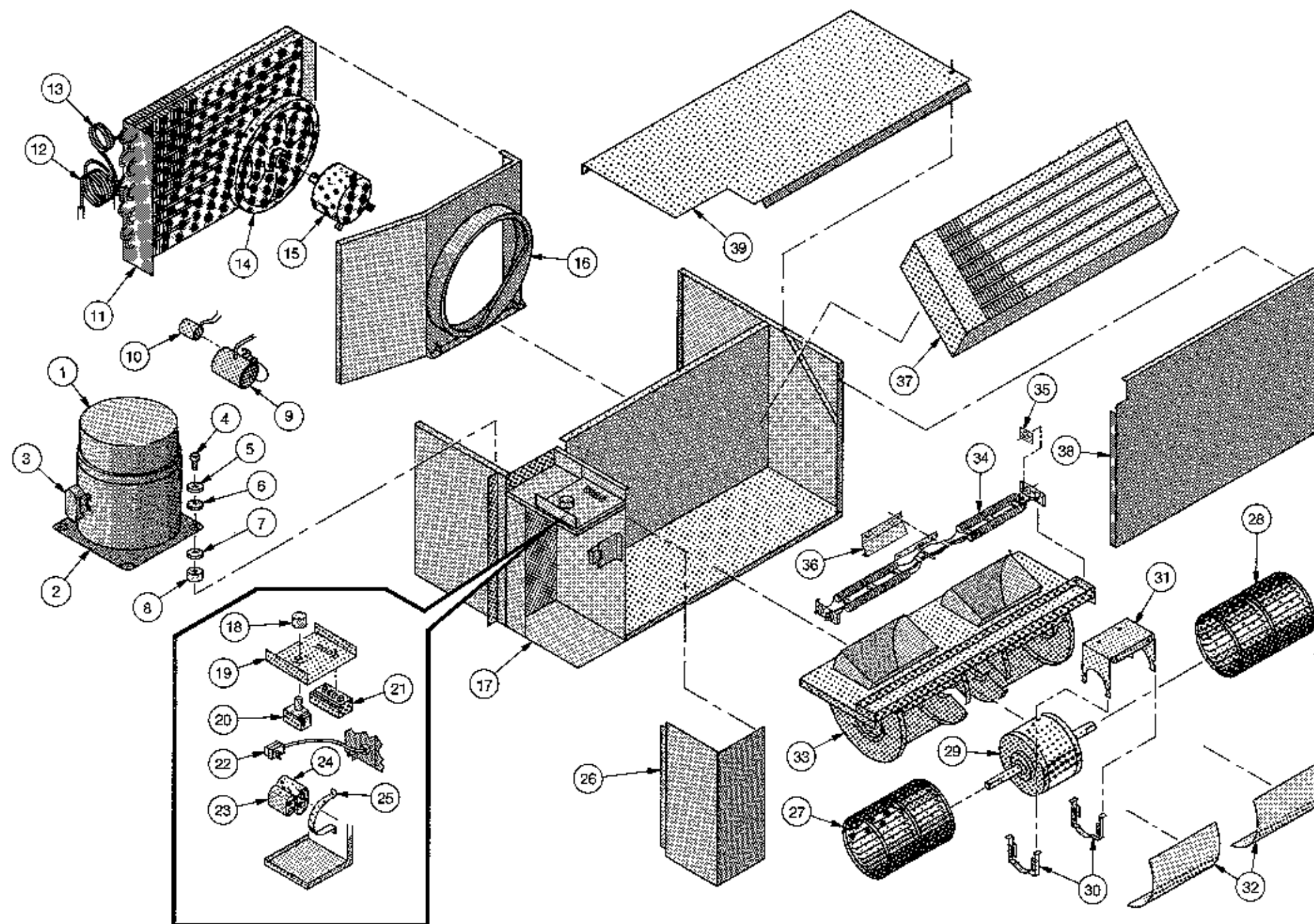
Friedrich
Climate Master®

© 1984 FRIEDRICH

702 Series

Parts Diagram

Sizes 006-015



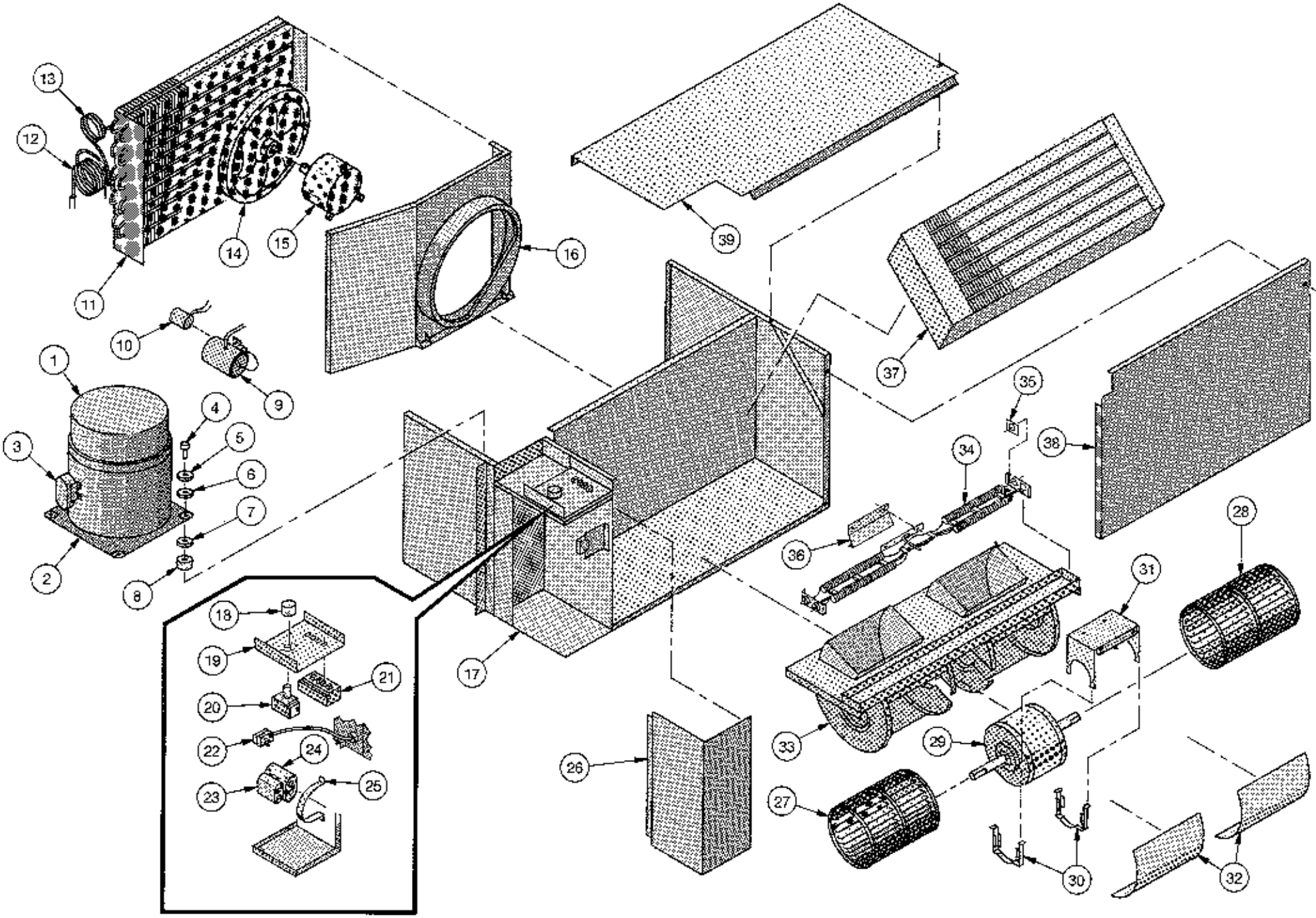
ClimateMaster

A COMBINATION OF CHP CORP. AND
FRIEDRICH™ CLIMATE MASTER, INC.
2007 Beechgrove Place, Utica, New York 13501
(315) 724-7111 FAX: (315) 724-6945, TWX: 510-600-7973

703 Series

Parts Diagram

Sizes 006-015



Continuing engineering research results in steady improvements. Therefore, these specifications are subject to change without notice. ©1987 Climate Master Printed in U.S.A. 10/87

ClimateMaster
 A COMBINATION OF CHP CORP. AND
 FRIEDRICH™ CLIMATE MASTER, INC.
 2007 Beechgrove Place, Utica, New York 13501
 (315) 724-7111 FAX: (315) 724-6945, TWX: 510-600-7973