



APSM Accessory Pump Slave Module

Installation, Operation & Maintenance Instructions

97B0041N01

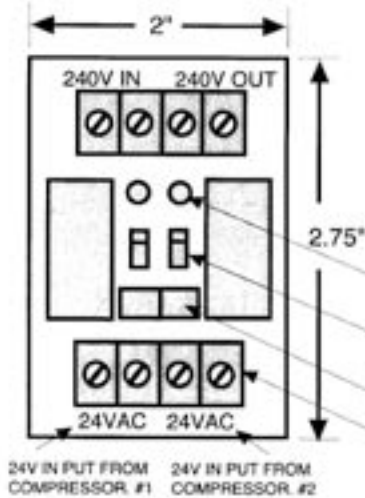
Revision 10/14/05

TABLE OF CONTENTS

Description	2
Wiring Diagram	2
Connections	2

The pump slaving module is designed to allow two units to share one Flow Controller. The module is mounted in a NEMA enclosure, which is designed to be mounted on the Flow Controller or on the outside of the unit. Wire the pumps and units as shown below in instructions that are shipped with the relay board. A picture of the module is shown for reference at the right.

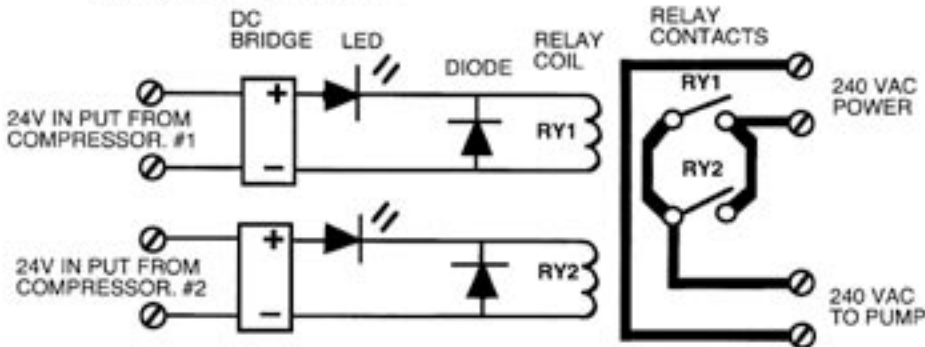
Heavy duty heat pump relay



SPECIFICATIONS

JW1FSN POWER RELAY
 CONTACTS 10 AMPS @ 277
 1/3 HP @250 VOLTS
 TERMINALS HANDLE UP
 TO # 14 GA WIRE
 DESIGNED TO BE MOUNTED
 IN A 4" ELECTRICAL BOX

LED
 DIODE
 BRIDGE
 TERMINALS # A102202-07
 HAS A PRESSURE PLATE



EITHER COMPRESSOR #1 OR COMPRESSOR #2 WILL START PUMP

12-1-02



97B0041N01



7300 S.W. 44th Street
 Oklahoma City, OK 73179
 Phone: 405-745-6000
 Fax: 405-745-6058
 www.climatemaster.com