

T8400C Electronic Thermostat

INSTALLATION INSTRUCTIONS

The T8400C provides single-stage, non-programmable temperature control for 24V heating-cooling systems with manual changeover from heat to cool. Heating cycle rate is selectable at 1, 3, 4, 5, 6, 9, or 12 cph. Cooling cycle rate is fixed at 3 cph. Temperature indication can be set for °F or °C.

The T8400C Thermostat is powered through the heating/cooling system controls. Batteries are not required because setpoints are held permanently by non-volatile memory.

T8400C models include a thermostat, wallplate and owner's guide.



CAUTION

Electrical Shock or Equipment Damage Hazard.
Can shock individuals or short equipment circuitry.
Disconnect power supply before installation.

Location

Install the thermostat about 5 ft (1.5m) above the floor in an area with good air circulation at average temperature. See Fig. 1. Do not install the thermostat where it can be affected by:

- drafts or dead spots behind doors and in corners.
- hot or cold air from ducts.
- radiant heat from the sun or appliances.
- concealed pipes and chimneys.
- unheated (uncooled) areas such as an outside wall behind the thermostat.

This thermostat is a precision instrument and was carefully adjusted at the factory. Handle it carefully.

Mounting Wallplate to Wall

IMPORTANT

Level only for appearance. The thermostat functions normally even when not level.

NOTE: T8400C models include a thermostat and wallplate.

Mount wallplate, T8400C, and the screws provided (see Fig. 2) as follows:

1. Place the wallplate at the desired location on the wall.
2. Pull the thermostat wire through the wallplate entrance hole.
3. Select the two mounting holes that best fit the application.
4. Fasten the wallplate to the wall using the anchors and screws provided.
5. After wiring the wallplate, plug the hole to prevent drafts from affecting the thermostat; see Wiring section.



MERCURY NOTICE

If this control is replacing a control that contains mercury in a sealed tube, do not place your old control in the trash.

Contact your local waste management authority for instructions regarding recycling and the proper disposal of an old control containing mercury in a sealed tube.

INSTALLATION

When Installing this Product...

1. Read these instructions carefully. Failure to follow them could damage the product or cause a hazardous condition.
2. Check the ratings given in the instructions and on the product to make sure the product is suitable for your application.
3. Installer must be a trained, experienced service technician.
4. After installation is complete, check out product operation as provided in these instructions.



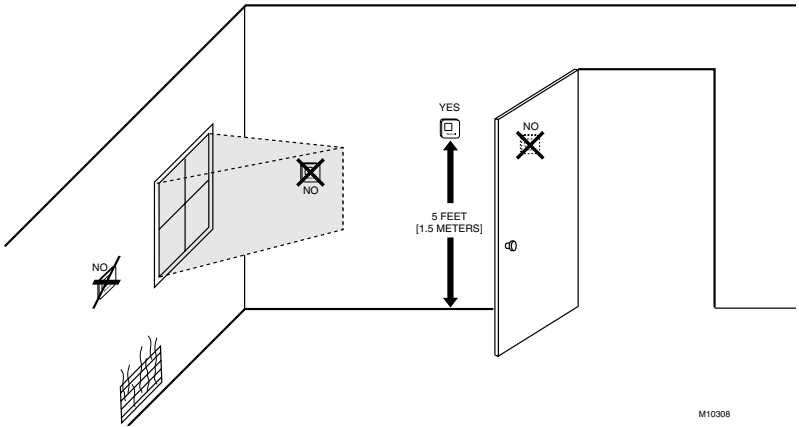
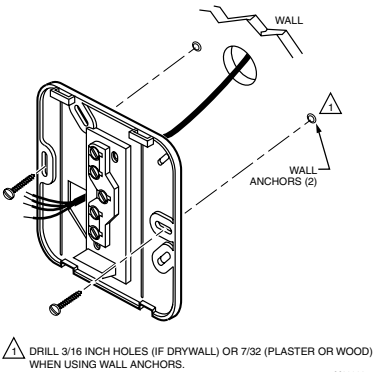


Fig. 1. Typical location of thermostat.

NOTE: To ensure proper mounting of thermostat, restrict all wiring to the shaded area on the left side of the terminals. See Fig. 3.

The shape of the terminals permits insertion of straight or wraparound wiring connections; either method is acceptable. See Fig. 4.

The T8400C Thermostat is powered through the heating/cooling system controls and is adaptable to most 4-wire, 18 to 30 Vac heating-cooling systems. Refer to Fig. 5 and 6 for typical wiring hookups.



⚠ DRILL 3/16 INCH HOLES (IF DRYWALL) OR 7/32 (PLASTER OR WOOD) WHEN USING WALL ANCHORS.

M10988

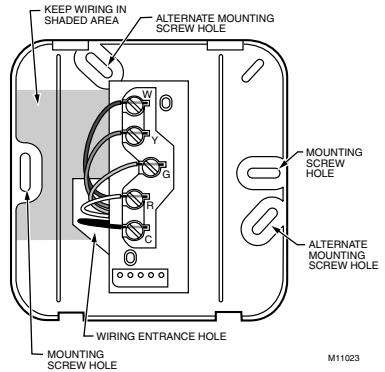
Fig. 2. Mounting wallplate to wall.

Wiring

IMPORTANT

Use an 18-gauge maximum wire for wiring the T8400C Thermostats.

All wiring must comply with local electrical codes and ordinances. Disconnect the power supply to prevent electrical shock or equipment damage.



M11023

Fig. 3. Restrict wiring to shaded area.

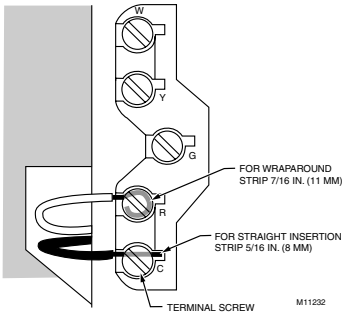


Fig. 4. Wiring connections.

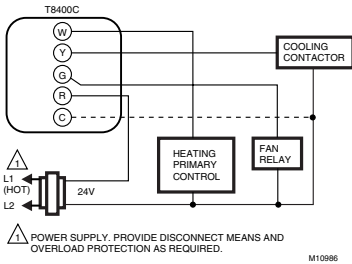


Fig. 5. T8400C heat-cool wiring diagram in single transformer system with gas heat/electric cooling.

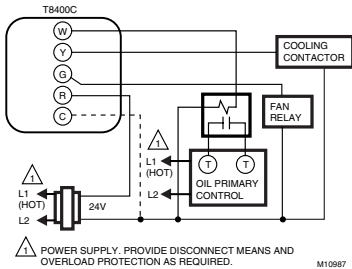


Fig. 6. T8400C heat-cool wiring diagram in oil heating/electric cooling system. Oil primary has its own transformer.

Mounting Thermostat to Wallplate

1. Engage the tabs at the top of the thermostat and wallplate.
2. Swing down the thermostat and press the lower edge of the thermostat onto the wallplate to latch. See Fig. 7.

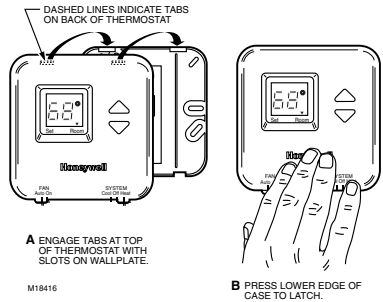


Fig. 7. Mounting thermostat wallplate.

OPERATION

Setting FAN and SYSTEM Switches

Fan and system settings are controlled manually by using the switches located at the bottom of the thermostat case. See Fig. 8.

FAN Switch

Fan switch settings are:

- On: The fan runs continuously. Use for improved air circulation and air quality.
- Auto: Normal setting for most homes. In cooling, the fan starts and stops with the cooling equipment. In heating, the fan is controlled directly by the heating equipment and may start a few minutes after the heating equipment turns on (on most systems). When using an electric heat thermostat, the fan starts and stops with the heating equipment.

Slide the switch in the bottom left corner of the thermostat to select the desired fan setting.

SYSTEM Switch

System switch settings control thermostat operation as follows:

- Cool: The thermostat controls the cooling system.
- Off: Both heating and cooling are off.
- Heat: The thermostat controls the heating system.

Slide the switch in the bottom right corner of the thermostat to select the desired system setting.

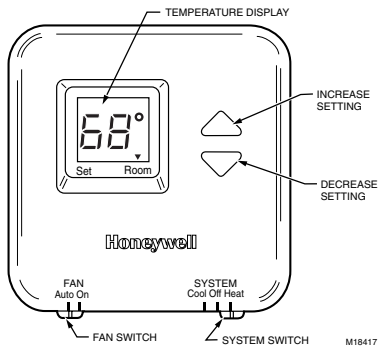
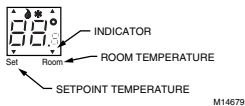


Fig. 8. Digital display and system switches (FAN and SYSTEM).

Set Temperature Setpoint

NOTE: Temperature setpoint range is 40° to 99°F (5° to 37°C).

The temperature setpoint and the room temperature are shown separately on the digital display. The ▼ indicator points to **Set** when the temperature setpoint is displayed and to **Room** when the room temperature is displayed



To set temperature setpoint:

1. Select Heat or Cool by sliding the SYSTEM switch in the lower right corner of the thermostat to the desired mode. See Fig. 8.
2. To display the temperature setpoint on the digital display, press either the ▲ or ▼ key once. The temperature setpoint is displayed for approximately five seconds as the indicator points to **Set** and flashes.



3. To increase the temperature setpoint press the ▲ key. Each press changes the setpoint one degree; press and hold to change the setpoint several degrees.



4. To decrease the temperature setpoint press the ▼ key. Each press changes the setpoint one degree; press and hold to change the setpoint several degrees.

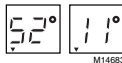


Setting °F/°C Indication and Heat Cycle Rate

NOTE: To save changes to the °F/°C indication and the heat cycle rate, all seven steps must be completed.

To set the °F/°C indication and heat cycle rate:

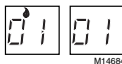
1. If the temperature is displayed in °F, set the temperature setpoint to 52°F. If the room temperature is displayed in °C, set the temperature setpoint to 11°C.



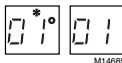
OPTIONAL SYSTEM CHECKOUT

When in steps 2 and 3 only, the ▼ key can be used to turn heat or cool outputs on and off. Change the SYSTEM switch setting to test heat or cool outputs. No action takes place if the system switch is in the Off position.

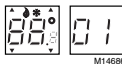
Examples: System setting at HEAT: If heat is on, the ▼ key turns it off; if heat is off, ▼ turns it on.



System setting at COOL: If cool is on, ▼ key turns it off; if cool is off, ▼ turns it on.



2. Press the ▲▼ keys simultaneously for more than one second to light all segments on display and to enter installer setup mode. When the keys are released, a two-digit software revision code is displayed.



NOTE: In installer setup mode only, each press of the ▲ key momentarily displays 01. Each press of the ▼ key momentarily displays 02. When the keys are released, these two-digit codes are no longer displayed.

3. Press the ▲ key. Factory information is displayed. A typical example is shown, but information displayed varies by model. This information is for factory use only.



4. Press the ▲ key again to display °C or °F.



5. Press the ▼ key to change the °C or °F indication.



6. Press the ▲ key to display the heat cycle rate of 1, 3, 4, 5, 6, 9, or 12. If the desired cycle is displayed, press the ▲ key to exit the installer setup mode. To change the heat cycle rate, press the ▼ key to scroll between 1, 3, 4, 5, 6, 9, or 12. Stop scrolling when the desired rate is displayed. See Table 1 for the cycle rate options and the corresponding system equipment.



7. Press the ▲ key to display cooling algorithm configuration default.



8. Press the ▲ key again to change cooling algorithm to C1 or C3.
 C1 = Standard cooling algorithm.
 C3 = Aggressive cooling algorithm (can cause overshooting).
9. Press the ▲ key again. Current configuration (CC) is displayed. A typical example is shown, but CC varies by model. (This information is for factory use only.)



Table 1. Heating Cycle Rates.

System	Cycles Per Hour
Steam, gravity	1
Hydronic heat, condensing gas furnace ^a	3
Gas or oil forced air	6
Electric heat	9
Special applications ^b	4, 5, 12

^aHigh efficiency furnace.

^bRefer to equipment manufacturer's instructions.

10. Press the ▲ key to save all changes, exit installer setup mode and return to normal operation.

NOTE: After exiting installer setup mode, change the setpoint to the desired room temperature.

CHECKOUT

Heating

- Slide the SYSTEM switch to Heat and the FAN switch to Auto.
- Press and hold the ▲ key to raise the temperature setting several degrees above the room temperature. After approximately ten seconds, the heating equipment should start. In conventional systems, the system turns on the fan through the use of a time delay relay or through a limit control. When using an electric heat thermostat, the fan starts immediately.
- Press the ▼ key to lower the temperature setting below the room temperature. Heating equipment should stop.

Cooling



CAUTION

Low Temperature Hazard.

Operating at too low of an outdoor

temperature may cause compressor damage.

Do not operate cooling if outdoor temperature is below 50°F (10°C). Refer to manufacturer's recommendations. To avoid possible compressor damage, allow the compressor to remain off for five minutes before restarting.

- Slide the SYSTEM switch to Cool and the FAN switch to Auto.
- Press the ▼ key to lower the temperature setting several degrees below the room temperature. After approximately five minutes, the cooling equipment should start. The fan starts and stops with the cooling equipment.
- Press the ▲ key to raise the temperature setting above the room temperature. Cooling system should shut down.

NOTE: To bypass the 5 minute delay, see the Optional System Checkout section.

Fan

- Slide the SYSTEM switch to Off and the FAN switch to On. The fan should run continuously.
- Slide the FAN switch to Auto. In heating, the fan is controlled directly by the heating equipment and may start a few minutes after the heating equipment turns on (on most systems). When using an electric heat thermostat, the fan starts and stops with the heating equipment. In cooling, the fan starts and stops with the cooling equipment.

Make certain all equipment responds properly to the thermostat.

Honeywell

Automation and Control Solutions

Honeywell
1985 Douglas Drive North
Golden Valley, MN 55422

Honeywell Limited-Honeywell Limitée
35 Dynamic Drive
Scarborough, Ontario
M1V 4Z9